

CDJ-2000NXS2

**MULTI PLAYER
LECTEUR DE MULTI
MULTI-PLAYER
LETTORE MULTIPLO
MULTI-SPELER
MULTI REPRODUCTOR
MULTI LEITOR
МНОГОФУНКЦИОНАЛЬНЫЙ
ПРОИГРЫВАТЕЛЬ**

<http://pioneerdj.com/support/>

The Pioneer DJ support site shown above offers FAQs, information on software and various other types of information and services to allow you to use your product in greater comfort.

Le site de support DJ de Pioneer indiqué ci-dessus propose une FAQ, des informations sur le logiciel et divers types d'informations et de services qui permettent une utilisation plus confortable de ce produit.

Die oben gezeigte Pioneer DJ-Support-Website enthält häufig gestellte Fragen, Informationen über Software und andere wichtige Informationen und Dienste, die Ihnen helfen, Ihr Produkt optimal zu verwenden.

Il sito di supporto DJ Pioneer indicato qui sopra offre una sezione FAQ, informazioni sul software ed informazioni e servizi di vario tipo, per permettere un uso più confortevole dei nostri prodotti.

De bovengenoemde Pioneer DJ ondersteuningswebsite biedt een overzicht van de vaak gestelde vragen, informatie over software en allerlei andere soorten informatie en diensten die u in staat stellen dit product met meer gemak te gebruiken.

El sitio de asistencia Pioneer DJ mostrado arriba ofrece las preguntas frecuentes, información del software y varios otros tipos de información y servicios que le permitirán usar su producto con mayor confort.

O site de suporte da Pioneer DJ mostrado acima oferece FAQs, informações sobre o software e outros tipos de informações e serviços para permitir utilizar o produto com um maior conforto.

На указанном выше сайте поддержки Pioneer DJ содержатся раздел часто задаваемых вопросов, информация по программному обеспечению, а также различные другие типы информации и услуг, позволяющие использовать ваше изделие более лучшим образом.

<http://rekordbox.com/>

For various types of information and services regarding rekordbox™, see the Pioneer DJ website above.

Pour les différents types d'informations et de services concernant rekordbox™, consultez le site Pioneer DJ ci-dessus.

Weitere Informationen und Dienste bezüglich rekordbox™ finden Sie auf der oben angegebenen Pioneer DJ-Website.

Per quanto riguarda vari tipi di informazione e servizi riguardanti rekordbox™, vedere il sito Pioneer DJ menzionato qui sopra.

Zie de hierboven genoemde Pioneer DJ website voor allerlei soorten informatie en diensten met betrekking tot rekordbox™.

Para varios tipos de información y servicios acerca del rekordbox™, visite el sitio web de Pioneer DJ indicado arriba.

Para vários tipos de informações e serviços relativamente ao rekordbox™, consulte o site Web da Pioneer DJ acima.

Относительно различных типов информации и услуг относительно rekordbox™ смотрите вебсайт Pioneer DJ выше.

**Operating Instructions (Quick Start Guide)
Mode d'emploi (Guide de démarrage rapide)**

Bedienungsanleitung (Kurzanleitung)

Istruzioni per l'uso (Guida di avvio veloce)

Handleiding (Snelstartgids)

Manual de instrucciones (Guía de inicio rápido)

Manual de instruções (Guia de início rápido)

Инструкции по эксплуатации (Краткое руководство пользователя)



English

Français

Deutsch

Italiano

Nederlands

Español

Português

Русский



If you want to dispose this product, do not mix it with general household waste. There is a separate collection system for used electronic products in accordance with legislation that requires proper treatment, recovery and recycling.

Private households in the member states of the EU, in Switzerland and Norway may return their used electronic products free of charge to designated collection facilities or to a retailer (if you purchase a similar new one).

For countries not mentioned above, please contact your local authorities for the correct method of disposal.

By doing so you will ensure that your disposed product undergoes the necessary treatment, recovery and recycling and thus prevent potential negative effects on the environment and human health.

K058b_A1_En

CAUTION

TO PREVENT THE RISK OF ELECTRIC SHOCK, DO NOT REMOVE COVER (OR BACK). NO USER-SERVICEABLE PARTS INSIDE. REFER SERVICING TO QUALIFIED SERVICE PERSONNEL.

D3-4-2-1-1_B1_En

WARNING

This equipment is not waterproof. To prevent a fire or shock hazard, do not place any container filled with liquid near this equipment (such as a vase or flower pot) or expose it to dripping, splashing, rain or moisture.

D3-4-2-1-3_A1_En

WARNING

This product equipped with a three-wire grounding (earthed) plug - a plug that has a third (grounding) pin. This plug only fits a grounding-type power outlet. If you are unable to insert the plug into an outlet, contact a licensed electrician to replace the outlet with a properly grounded one. Do not defeat the safety purpose of the grounding plug.

D3-4-2-1-6_A1_En

For Finland customers

Laite on liitettävä suojamaadoituskoskettimilla varustettuun pistorasiaan

For Norway customers

Apparatet må tilkoples jordet stikkontakt

For Sweden customers

Apparaten skall anslutas till jordat uttag

D3-4-2-1-6b_A1_En

WARNING

To prevent a fire hazard, do not place any naked flame sources (such as a lighted candle) on the equipment.

D3-4-2-1-7a_A1_En

VENTILATION CAUTION

When installing this unit, make sure to leave space around the unit for ventilation to improve heat radiation (at least 5 cm at rear, and 5 cm at each side).

WARNING

Slots and openings in the cabinet are provided for ventilation to ensure reliable operation of the product, and to protect it from overheating. To prevent fire hazard, the openings should never be blocked or covered with items (such as newspapers, table-cloths, curtains) or by operating the equipment on thick carpet or a bed.

D3-4-2-1-7b*_A1_En


Operating Environment

Operating environment temperature and humidity: +5 °C to +35 °C (+41 °F to +95 °F); less than 85 %RH (cooling vents not blocked)

Do not install this unit in a poorly ventilated area, or in locations exposed to high humidity or direct sunlight (or strong artificial light).

D3-4-2-1-7c*_A2_En

CAUTION

The  switch on this unit will not completely shut off all power from the AC outlet. Since the power cord serves as the main disconnect device for the unit, you will need to unplug it from the AC outlet to shut down all power. Therefore, make sure the unit has been installed so that the power cord can be easily unplugged from the AC outlet in case of an accident. To avoid fire hazard, the power cord should also be unplugged from the AC outlet when left unused for a long period of time (for example, when on vacation).

D3-4-2-2-2a*_A1_En

When using this product, confirm the safety information shown on the bottom of the unit.

D3-4-2-2-4_B1_En

WARNING

Store small parts out of the reach of children and infants. If accidentally swallowed, contact a doctor immediately.

D41-6-4_A1_En

This product satisfies electromagnetic noise regulations when it is connected to other equipment through shielded cables and connectors.

Use only the furnished accessory connecting cables.

D44-8-2_A1_En

POWER-CORD CAUTION

Handle the power cord by the plug. Do not pull out the plug by tugging the cord and never touch the power cord when your hands are wet as this could cause a short circuit or electric shock. Do not place the unit, a piece of furniture, etc., on the power cord, or pinch the cord. Never make a knot in the cord or tie it with other cords. The power cords should be routed such that they are not likely to be stepped on. A damaged power cord can cause a fire or give you an electrical shock. Check the power cord once in a while. When you find it damaged, ask your nearest service center or your dealer for a replacement.

S002*_A1_En

CAUTION

This product is a class 1 laser product classified under the Safety of laser products, IEC 60825-1:2007.

CLASS 1 LASER PRODUCT

D58-5-2-2a_A1_En

Condensation

Water droplets (condensation) may form inside the unit (on operating parts and lenses) in the winter, for example, if the unit is moved from a cold place into a warm room or if the temperature in the room in which the unit is installed rises suddenly (through heating, etc.). The unit will not operate properly and will not be playable with condensation inside. Let the unit stand for 1 to 2 hours at room temperature (though this time depends on the conditions of the condensation) without turning on the power. The water droplets will evaporate and the unit will become playable. Condensation can occur in the summer as well if the unit is exposed to the direct wind from an air-conditioner, etc. If this happens, move the unit to a different location.

S005b_A1_En

Before you start

How to read this manual

Thank you for buying this Pioneer DJ product.

Be sure to read both this leaflet and the operating instructions! Both documents include important information that you must understand before using this product.

After you have finished reading the instructions, put them away in a safe place for future reference.

- For instructions on acquiring the operating instructions, see *Acquiring this unit's Operating Instructions* (p. 4).

Features

This unit is a multi player for professional DJs, offering the variety of functions, durability and operability required for working in discos and nightclubs. Full-fledged DJ performances can be made using tracks not only on USB devices and computers but also on mobile devices (smart-phones, etc.). It is not only equipped with a wide range of features for DJ performances, including the PRO DJ LINK, WAVE and BEAT SYNC functions, it also has a high sound quality, high reliability design and panel layout providing high operability, thereby offering strong support for all types of DJ performances.

Acquiring this unit's Operating Instructions

Various instructions are sometimes provided as files in PDF format. Adobe® Reader® must be installed in order to view PDF format files.

1 Launch a web browser on the computer and access the Pioneer DJ support site below.

<http://pioneerdj.com/support/>

2 On the Pioneer DJ support site, click [Manuals] under [CDJ-2000NXS2].

3 Click on the required language on the download page.

Downloading of the operating instructions begins.

What's in the box

- Power cord
- Audio cable
- LAN cable
- Disc force eject pin (mounted on bottom of product)
- Operating Instructions (Quick Start Guide) (This document)
- Warranty card

Preparing the software

Music management software rekordbox and driver software are not included.

To use rekordbox and the driver software, access the rekordbox site and Pioneer DJ Support site, and download the software.

In these operating instructions, the version of rekordbox for Mac/Windows is referred to as "rekordbox (Mac/Windows)". "rekordbox" is used to indicate the versions of rekordbox (Mac/Windows) and rekordbox (iOS/Android) simultaneously, as well as when referring to rekordbox functions directly.

- The user is responsible for preparing the computer, network devices and other elements of the Internet usage environment required for a connection to the Internet.

About rekordbox

rekordbox is a composite software that enables track management and DJ performances.

An excellent DJ performance can be achieved by using the music files managed by rekordbox together with this unit.

❖ Acquiring rekordbox (Mac/Windows)

1 Open your web browser on your computer, and access the rekordbox site.

<http://rekordbox.com/>

2 Click [Download] in the rekordbox site and download rekordbox from the download page.

- For inquiries on rekordbox (Mac/Windows), see the support site indicated above.

❖ About rekordbox (iOS/Android)

Tracks managed by rekordbox can be played by connecting the mobile device on which rekordbox (iOS/Android) is installed via USB. For supported devices, see the Pioneer DJ website (<http://pioneerdj.com/support/>).

- For details on installing rekordbox (iOS/Android), see the Pioneer website (<http://rekordbox.com/>).

About the driver software

❖ Audio driver software (Windows)

- This driver software is an exclusive ASIO driver for outputting audio signals from the computer.
- There is no need to install the driver software when using Mac OS X.

❖ USB connection (LINK Export) driver software for rekordbox (Mac/Windows)

- The driver software is a dedicated driver for connecting this unit and rekordbox (Mac/Windows) via USB (LINK Export).
 - 🔗 For details on the USB (LINK Export) connection, see this product's operating instructions.

❖ Obtaining the driver software

1 Launch a web browser on the computer and access the Pioneer DJ support site below.

<http://pioneerdj.com/support/>

2 Click [Software Download] under [CDJ-2000NXS2] on the Pioneer DJ support site.

3 Click the icon of the driver software to download the driver software from the download page.

- For information on installing the driver software, see the Pioneer DJ support site.

Usable media

For details, see this product's operating instructions.

About discs

This unit can play music CDs (CD-DA) and music files recorded on CD-ROMs (CD-Rs and CD-RWs) or DVD-ROMs (DVD-Rs, DVD-RWs, DVD-R DLs, DVD+Rs, DVD+RWs, and DVD+R DLs).

- 8 cm discs cannot be played.

About SD memory cards

This unit can play music files recorded on SD memory cards conforming to SD standards can be played.

Supported cards ^[1]	<ul style="list-style-type: none"> • SD memory cards: 8 MB – 2 GB • SDHC memory cards: 4 GB – 32 GB
Compatible formats	<ul style="list-style-type: none"> • SD memory cards: FAT12 and FAT16 (conforming to SD standards) • SDHC memory cards: FAT32 (conforming to SD standards)

[1] CPRM is not supported.

About USB devices

This unit can play music files recorded on USB mass storage class USB devices (external hard disks, portable flash memory devices, etc.).

Supported file systems	FAT16, FAT32 and HFS+ (NTFS is not supported.)
------------------------	--

Tracks managed by rekordbox can be played by connecting the mobile device on which rekordbox (iOS/Android) is installed via USB. For supported devices, see the Pioneer DJ website (<http://pioneerdj.com/support/>). For rekordbox (iOS/Android), see the rekordbox online support site (<http://rekordbox.com/>).

- Such information as disc identification data, cue points, loop points and hot cues can be stored on storage devices (SD, USB).
- Depending on the storage device (SD, USB) you are using, performance may not be as expected.
- Operation of all storage devices (SD, USB) is not guaranteed on this unit.

Connections

- Be sure to turn off the power and unplug the power cord from the power outlet whenever making or changing connections.
 - Refer to the operating instructions for the component to be connected.
 - Connect the power cord after all the connections between devices have been completed.
- When using a LAN cable for connection, be sure to use either the LAN cable included with this product or an STP (shielded twisted pair) cable.
 - Do not disconnect the LAN cable when music files and/or information are being shared using PRO DJ LINK.

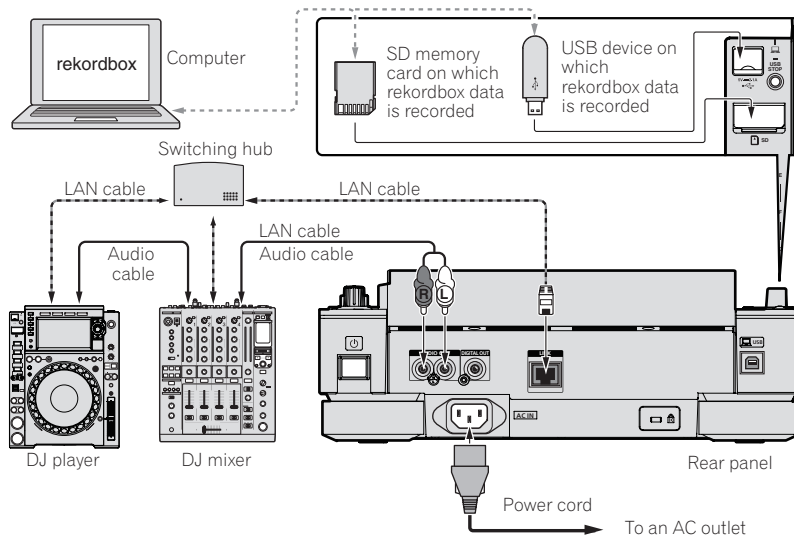
Basic style

Playback on this unit is performed mainly using tracks prepared with rekordbox installed on a computer.

- For instructions on operating rekordbox, see the rekordbox (Mac/Windows) user's manual. The rekordbox (Mac/Windows) user's manual can be viewed from the [Help] menu of rekordbox.
- Also, for DJ players and DJ mixers, up to four PRO DJ LINK-compatible players can be connected with LAN cables (CAT5e) using PRO DJ LINK connections.
- A switching hub (commercially available) may be necessary, depending on the combination of models used. Use a switching hub of 100 Mbps or greater. Some switching hubs may not operate properly.
- A switching hub (commercially available) is necessary to connect to a mixer equipped with only one LAN port. For mixers with enough LAN ports for all the DJ players and computers in the system, connect directly to the LAN ports on the mixer's rear panel, without using a hub.

PRO DJ LINK (SD & USB Export)

- rekordbox music files and data can be exchanged with this unit using a memory device (flash memory, hard disk, etc.), eliminating the need to take a computer into the DJ booth. Such information as playlists, cues, loops and hot cues set in advance with rekordbox can be used for playback.



Cautions

In order to maximize the use of music file management functions of rekordbox, please match the player number with the channel of audio cable entered in the mixer.

If the player number is different, change the [PLAYER No.] setting on the [UTILITY] screen.

➤ For instructions on changing the settings on the [UTILITY] screen, see this product's operating instructions.

- When a storage device is connected to this unit, [PLAYER No.] is displayed in gray and cannot be changed. Disconnect the storage device or LAN cable to turn the link off, then change the setting.

Operation

Turning the power on

1 Make all the connections, then plug the power cord into a power outlet.

➔ *Connections* (p.6)

2 Press the [⏻] switch.

This unit's indicators light and the power turns on.

Turning the power off

Press the [⏻] switch.

This unit's power turns off.

- Do not pull out the SD memory card or turn off this unit's power while the SD memory card indicator is flashing. Doing so could delete this unit's management data and damage the SD memory card, making it impossible to read.
- Do not remove the USB device or turn Off the power of the unit while the USB indicator is flashing. The management data in the unit may get deleted. Also, the USB device may become unreadable.

Inserting discs

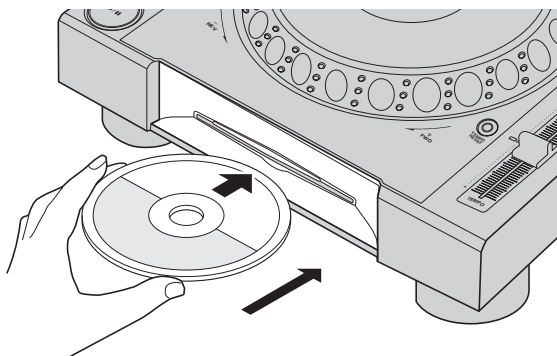
- This unit is a one-disc player. Do not insert multiple disc.
- Do not force discs into the disc insertion slot when this unit's power is off. Doing so could damage the disc and lead to malfunction of this unit.
- When the disc is being drawn in or ejected, do not apply any force to the disc in the direction opposite its movement. Doing so could damage the disc or this unit.

1 Press the [⏻] switch to turn this unit's power on.

2 Insert the disc horizontally into the disc insertion slot, with the printed surface facing up.

Playback starts after the medium's information has been read.

- When a disc containing music files recorded with a hierarchical structure is loaded, playback starts from the tracks in the uppermost layer.



- When auto cue is turned on, the disc pauses at the audio start position. In this case, press the [PLAY/PAUSE] to start playback.
 - ➔ For details on the auto cue function, see this product's operating instructions.
- If a disc is inserted when a storage device (SD, USB) that has previously been connected to this unit or another Pioneer DJ's DJ player is connected, the number of discs including the disc information is displayed on the main unit display for a few seconds.
 - ➔ For details the disc information memory, see this product's operating instructions.

Inserting SD memory cards

- Do not insert any objects other than SD memory cards into the SD memory card insertion slot. Inserting coins or other metal objects could damage the internal circuitry, resulting in malfunction.
- Do not forcibly insert or remove SD memory cards. Doing so could damage the SD memory card or this unit.

1 Press the [⏻] switch to turn this unit's power on.

2 Open the SD memory card door.

3 Insert the SD memory card.

Insert the SD memory card vertically, with the back side facing forward and the notch facing down. Push the card in slowly until it stops.

4 Close the SD memory card door.

Connecting USB devices

1 Press the [⏻] switch to turn this unit's power on.

2 Connect the USB device to the USB device insertion slot.

Playing media connected to or inserted in this unit

1 Load the medium in this unit.

2 Press the corresponding medium button ([DISC], [SD] or [USB]).

The tracks or folders are displayed on a list.

The medium whose contents are displayed on the main unit display can be switched.

[DISC] button: Displays the contents on the inserted disc.

[SD] button: Displays the contents on the inserted SD memory card.

[USB] button: Displays the contents of the connected USB or mobile device.

- If the storage device (SD, USB) contains rekordbox library information, the rekordbox library is displayed.
 - ➔ For instructions on browsing the rekordbox library, see this product's operating instructions.

3 Turn the rotary selector.

Move the cursor and select the item.



- Press the rotary selector to move to a lower level in the folder. Press the [BACK] button to return to the level above.
- When the [BACK] button is pressed for over 1 second or the medium button for the medium being browsed is pressed, the display moves to the topmost level.

4 Select the track and press the rotary selector.

When the track is loaded, the screen switches to the normal playback screen.

The track is loaded, playback starts, and the corresponding medium button flashes.

- ➔ For details on the normal playback screen, see this product's operating instructions.

For other operations, see this product's operating instructions.

Additional information

Troubleshooting

- Incorrect operation is often mistaken for trouble or malfunction. If you think that there is something wrong with this component, check the points below and the **[FAQ]** for the **[CDJ-2000NXS2]** on the Pioneer DJ support site. <http://pioneerdj.com/support/>
Sometimes the problem may lie in another component. Inspect the other components and electrical appliances being used. If the problem cannot be rectified, ask your nearest Pioneer authorized service center or your dealer to carry out repair work.
- This unit may not operate properly due to static electricity or other external influences. In this case, proper operation may be restored by turning the power off, waiting 1 minute, then turning the power back on.

Problem	Check	Remedy
Disc cannot be ejected.	Is [EJECT/LOAD LOCK] set to [LOCK] ?	Press the [PLAY/PAUSE▶/II] button to set the pause mode, then press the [DISC EJECT▲] button.
	—	Set [EJECT/LOAD LOCK] at [UTILITY] to [UNLOCK] , then press the [DISC EJECT▲] button. If the [DISC EJECT▲] button does not work, insert the pin into the disc force eject hole to eject the disc.
Playback does not start when disc is loaded.	Is the disc or file playable?	See <i>Usable media</i> on page 5.
	Is the auto cue function activated?	Press [AUTO CUE] for at least 1 second to turn cancel the auto cue function.
File cannot be played.	Is the file copyright-protected (by DRM)?	Copyright-protected files cannot be played.
No sound is produced, or sound is distorted or noisy.	Are you operating the connected DJ mixer properly?	Check the operation of the DJ mixer.
	Is this unit placed near a TV?	Turn the TV's power off or install this unit and TV away from each other.
Loud noise is produced or playback stops when a certain disc is played.	Is the disc scratched?	Scratched discs may not play.
	Is the disc dirty?	Wipe the dirt off the disc.
File information is not properly displayed.	Is [LANGUAGE] properly set?	Set [LANGUAGE] to the proper language.
	Is the information recorded in a language not supported by this unit?	When creating files using DJ software, etc., record the information in a language supported by this unit.
Track search operation takes too long.	Is the auto cue function activated?	Track searching may take some time when there are long silent sections between tracks.
	—	If track searching is not possible within 10 seconds, a cue point is set at the beginning of the track.
Back cue function does not work.	Is a cue point set?	Set a cue point.
Loop play function does not work.	Is a cue point set?	Set a cue point.
Settings are not stored in the memory.	Has the power been turned off directly after changing the setting?	After changing settings, wait at least 10 seconds before turning the power off.
USB device is not recognized.	Is the USB device properly connected?	Connect the device securely (all the way in).
	Is the USB device connected via a USB hub?	USB hubs cannot be used.
	Is the USB device supported by this unit?	This player supports USB mass storage class devices. This player supports mobile devices on which rekordbox (iOS/Android) is installed.
	Is the file format supported by this unit?	Check the file format of the connected USB device. For the file formats supported by this unit, see <i>About USB devices</i> on page 5.
	—	Turn the power off then back on.
Cue or loop points are not stored on storage devices (SD, USB).	Are you trying to store more points than the limit?	The maximum number of cue or loop points that can be stored on storage devices (SD, USB) per disc is 100. For devices other than discs, the maximum limit is 10 points per track. If you try to store more points than the limit, [CUE/LOOP POINT FULL] is displayed and the points cannot be stored. In this case, delete some points before storing new ones.
	Is the storage device (SD, USB) write-protected?	When an SD memory card is write-protected, [CARD PROTECTED] is displayed and the points cannot be stored. When a USB device is write-protected, [USB FULL] is displayed and the points cannot be stored. Disable write-protection then store the points.
	Is there enough free space on the storage device (SD, USB)?	If there is not enough free space on an SD memory card, [CARD FULL] is displayed and the points cannot be stored. If there is not enough free space on a USB device, [USB FULL] is displayed and the points cannot be stored. Free some space then store the points.
Cue points or loop of tracks stored on a storage device (SD, USB) are not displayed.	Was the USB device properly stopped before it was disconnected the last time?	Points may not be displayed if the SD memory card/USB device is removed without performing the proper stopping procedure or if this unit's power is turned off. Check that the SD memory card or USB indicator is completely off before disconnecting storage devices (SD, USB) or turning this unit's power off.

Problem	Check	Remedy
When buttons are pressed to call out the hot cue storing mode or to reloop, or when the lever is moved to set reverse playback, the operation does not start immediately.	Is the quantize function on?	When the quantize function is on, the operation starts from the nearest beat position from where buttons are pressed or the lever is moved. To start the operation immediately when buttons are pressed or the lever is moved, turn the quantize function off.
The playing address display is not displayed in the remaining time mode.	—	When playing files recorded in VBR, it may happen that the set cannot detect the length of the track immediately and that some time is required for the playing address display to appear.
Much time is required for reading storage devices (SD, USB) (flash memory devices or hard disks).	Is there a large number of folders or files stored on the storage device (SD, USB)?	When there are many folders or files, some time may be required for loading.
	Are files other than music files saved on the storage device (SD, USB)?	When files other than music files are stored in folders, time is required to read them as well. Do not store files or folders other than music files on the USB device.
Library browsing is not possible.	Is a medium on which library information is recorded loaded?	The library browse mode is only set when media on which library information is recorded are loaded. When a medium on which no library information is recorded is loaded, the folder browse mode is set.
[HISTORY] is not displayed.	Is the storage device (SD, USB) connected?	The [HISTORY] function can only be used on the DJ player to which the storage device (SD, USB) is connected.
Nothing is displayed.	Is the auto standby function activated?	This unit is shipped with the auto standby function turned on. If you do not want to use the auto standby function, set [AUTO STANDBY] to [OFF].
The scale is not displayed.	Is the track over 15 minutes long?	The scale is not displayed for tracks whose playing time is over 15 minutes.
PRO DJ LINK does not work well.	Are the player numbers properly set?	Set [PLAYER No.] to [AUTO] or to a number different from the number currently set.
	Is the LAN cable properly connected?	Connect the LAN cable properly to the [LINK] terminal.
	Is the switching hub's power turned on?	Turn the switching hub's power on.
	Is an unnecessary device connected to the switching hub?	Disconnect the unnecessary device from the switching hub.
There is no response when you touch the screen, or the response is bad. A position different from the actually touched location responds.	Calibration adjustment of touch display is deviating.	Adjust the touch display by using the [TOUCH DISPLAY CALIBRATION] settings in the [UTILITY] screen.

Error messages

When this unit cannot operate normally, an error code appears on the display. Check the table below and take the measures indicated. If an error code not shown on the table below is displayed, or if the same error code is displayed again after taking the indicated action, contact your store of purchase.

Error code	Error type	Description of error	Cause and action
E-7201	CANNOT READ DISC	TOC data cannot be read.	<ul style="list-style-type: none"> Disc is cracked. → Replace the disc. Disc is dirty. → Clean the disc.
E-8301	CANNOT READ DISC	Disc that cannot be played normally is loaded.	<ul style="list-style-type: none"> If operation is normal with other discs, the problem is with that disc.
E-8302	CANNOT PLAY TRACK(****)	Track data (file) on the disc or storage device (SD, USB) cannot be read properly.	<ul style="list-style-type: none"> The track data (file) may be corrupt. → Check whether the track (file) can be played on another player, etc., capable of playing the same formats as this unit.
E-8304 E-8305	UNSUPPORTED FILE FORMAT	Music files that cannot be played normally are loaded.	Format is wrong. → Replace with music files in the proper format.
E-9101	MECHANICAL TIMEOUT	Mechanical error (time out) during loading or ejecting of disc.	Displayed when mechanism operation is not completed within the specified time.

Cleaning the touch display

Do not use organic solvents, acids or alkalis for cleaning the surface of the touch display. Wipe with a dry soft cloth or a cloth immersed in neutral detergent and squeezed properly.

About trademarks and registered trademarks

- Pioneer DJ is a trademark of the PIONEER CORPORATION and is used under license. rekordbox and KUVO are trademarks or registered trademarks of the Pioneer DJ Corporation.
- Windows is a registered trademark of Microsoft Corporation in the United States and other countries.
- Adobe and Reader are either registered trademarks or trademarks of Adobe Systems Incorporated in the United States and/or other countries.
- ASIO is a trademark of Steinberg Media Technologies GmbH.
- SD Logo is a trademark of SD-3C, LLC.



- SDHC Logo is a trademark of SD-3C, LLC.



- **DVD** is a trademark of DVD Format/Logo Licensing Corporation.
- "Made for iPod," "Made for iPhone," and "Made for iPad" mean that an electronic accessory has been designed to connect specifically to iPod, iPhone, or iPad, respectively, and has been certified by the developer to meet Apple performance standards. Apple is not responsible for the operation of this device or its compliance with safety and regulatory standards. Please note that the use of this accessory with iPod, iPhone, or iPad may affect wireless performance.



- Apple, iPad, iPhone, iPod, iPod touch, iTunes, Mac, Mac OS, and OS X are trademarks of Apple Inc., registered in the U.S. and other countries.
- iOS is a trademark on which Cisco holds the trademark right in the US and certain other countries.
- Android™ is a trademark of Google Inc.
- Wi-Fi is a registered mark of the Wi-Fi Alliance.
- The names of companies and products mentioned herein are trademarks or registered trademarks of their respective owners.

-
-
- This software is based in part on the work of the Independent JPEG Group.

About using MP3 files

This product has been licensed for nonprofit use. This product has not been licensed for commercial purposes (for profit-making use), such as broadcasting (terrestrial, satellite, cable or other types of broadcasting), streaming on the Internet, Intranet (a corporate network) or other types of networks or distributing of electronic information (online digital music distribution service). You need to acquire the corresponding licenses for such uses. For details, see <http://www.mp3licensing.com>.

Apple Lossless Audio Codec

Copyright © 2011 Apple Inc. All rights reserved.
Licensed under the Apache License, Version 2.0. You may obtain a copy of the License at <http://www.apache.org/licenses/LICENSE-2.0>

FLAC

FLAC Decoder

Copyright © 2000-2009 Josh Coalson

Copyright © 2011-2014 Xiph.Org Foundation

Redistribution and use in source and binary forms, with or without modification, are permitted provided that the following conditions are met:

- Redistributions of source code must retain the above copyright notice, this list of conditions and the following disclaimer.
- Redistributions in binary form must reproduce the above copyright notice, this list of conditions and the following disclaimer in the documentation and/or other materials provided with the distribution.
- Neither the name of the Xiph.org Foundation nor the names of its contributors may be used to endorse or promote products derived from this software without specific prior written permission.

THIS SOFTWARE IS PROVIDED BY THE COPYRIGHT HOLDERS AND CONTRIBUTORS "AS IS" AND ANY EXPRESS OR IMPLIED WARRANTIES, INCLUDING, BUT NOT LIMITED TO, THE IMPLIED WARRANTIES OF MERCHANTABILITY AND FITNESS FOR A PARTICULAR PURPOSE ARE DISCLAIMED. IN NO EVENT SHALL THE FOUNDATION OR CONTRIBUTORS BE LIABLE FOR ANY DIRECT, INDIRECT, INCIDENTAL, SPECIAL, EXEMPLARY, OR CONSEQUENTIAL DAMAGES (INCLUDING, BUT NOT LIMITED TO, PROCUREMENT OF SUBSTITUTE GOODS OR SERVICES; LOSS OF USE, DATA, OR PROFITS; OR BUSINESS INTERRUPTION) HOWEVER CAUSED AND ON ANY THEORY OF LIABILITY, WHETHER IN CONTRACT, STRICT LIABILITY, OR TORT (INCLUDING NEGLIGENCE OR OTHERWISE) ARISING IN ANY WAY OUT OF THE USE OF THIS SOFTWARE, EVEN IF ADVISED OF THE POSSIBILITY OF SUCH DAMAGE.

Cautions on copyrights

rekordbox restricts playback and duplication of copyright-protected music contents.

- When coded data, etc., for protecting the copyright is embedded in the music contents, it may not be possible to operate the program normally.
- When rekordbox detects that coded data, etc., for protecting the copyright is embedded in the music contents, processing (playback, reading, etc.) may stop.

Recordings you have made are for your personal enjoyment and according to copyright laws may not be used without the consent of the copyright holder.

- Music recorded from CDs, etc., is protected by the copyright laws of individual countries and by international treaties. It is the full responsibility of the person who has recorded the music to ensure that it is used legally.
- When handling music downloaded from the Internet, etc., it is the full responsibility of the person who has downloaded the music to ensure that it is used in accordance with the contract concluded with the download site.

Specifications

Power requirements	AC 110 V to 240 V, 50 Hz/60 Hz
Power consumption.....	41 W
Power consumption (standby).....	0.4 W
Main unit weight	5.7 kg
Max. external dimensions ...	320 mm (W) × 113.2 mm (H) × 414.4 mm (D)
Tolerable operating temperature	+5 °C to +35 °C
Tolerable operating humidity	5 % to 85 % (no condensation)

Analog audio output (AUDIO OUT L/R)

Output terminals.....	RCA terminal
Output Level	2.0 Vrms (1 kHz)
Frequency response.....	4 Hz to 40 kHz
S/N ratio.....	115 dB
Total harmonic distortion	0.0018 %

Digital audio output (DIGITAL OUT)

Output terminals.....	RCA terminal
Output type.....	Coaxial digital (S/PDIF)
Output level	0.5 Vp-p (75 Ω)
Output format.....	44.1 kHz/96 kHz, 24 bit/16 bit

USB downstream section (USB)

Port	Type A
Power supply.....	5 V/2.1 A or less

USB upstream section (USB)

Port	Type B
------------	--------

LAN (PRO DJ LINK)

Rating	100Base-TX
--------------	------------

SD memory card section

File system.....	Conforming to "SD Specifications Part 2 File System Specification Version 2.00"
Max. memory capacity.....	32 GB

Main display

Display type	Active matrix TFT liquid crystal display (LCD)
Supported languages	18 languages

— The specifications and design of this product are subject to change without notice.

- © 2015 Pioneer DJ Corporation. All rights reserved.



Si vous souhaitez vous débarrasser de cet appareil, ne le mettez pas à la poubelle avec vos ordures ménagères. Il existe un système de collecte séparé pour les appareils électroniques usagés, qui doivent être récupérés, traités et recyclés conformément à la législation.

Les habitants des états membres de l'UE, de Suisse et de Norvège peuvent retourner gratuitement leurs appareils électroniques usagés aux centres de collecte agréés ou à un détaillant (si vous rachetez un appareil similaire neuf).

Dans les pays qui ne sont pas mentionnés ci-dessus, veuillez contacter les autorités locales pour savoir comment vous pouvez vous débarrasser de vos appareils.

Vous garantirez ainsi que les appareils dont vous vous débarrassez sont correctement récupérés, traités et recyclés et préviendrez de cette façon les impacts néfastes possibles sur l'environnement et la santé humaine.

K058b_A1_Fr

ATTENTION

POUR ÉVITER TOUT RISQUE D'ÉLECTROCUTION, NE PAS ENLEVER LE COUVERCLE (NI LE PANNEAU ARRIÈRE). AUCUNE PIÈCE RÉPARABLE PAR L'UTILISATEUR NE SE TROUVE À L'INTÉRIEUR. CONFIER TOUT ENTRETIEN À UN PERSONNEL QUALIFIÉ UNIQUEMENT.

D3-4-2-1-1_B1_Fr

AVERTISSEMENT

Cet appareil n'est pas étanche. Pour éviter les risques d'incendie et de décharge électrique, ne placez près de lui un récipient rempli d'eau, tel qu'un vase ou un pot de fleurs, et ne l'exposez pas à des gouttes d'eau, des éclaboussures, de la pluie ou de l'humidité.

D3-4-2-1-3_A1_Fr

AVERTISSEMENT

Cet appareil est muni d'une fiche de mise à la terre (masse) à trois fils. Comme la fiche présente une troisième broche (de terre), elle ne peut se brancher que sur une prise de courant, prévue pour une mise à la terre. Si vous n'arrivez pas à insérer la fiche dans la prise de courant, contactez un électricien qualifié pour faire remplacer la prise par une qui soit mise à la terre. N'annulez pas la fonction de sécurité que procure cette fiche de mise à la terre.

D3-4-2-1-6_A1_Fr

AVERTISSEMENT

Pour éviter les risques d'incendie, ne placez aucune flamme nue (telle qu'une bougie allumée) sur l'appareil.

D3-4-2-1-7a_A1_Fr

PRÉCAUTION DE VENTILATION

Lors de l'installation de l'appareil, veillez à laisser un espace suffisant autour de ses parois de manière à améliorer la dissipation de chaleur (au moins 5 cm à l'arrière et 5 cm de chaque côté).

AVERTISSEMENT

Les fentes et ouvertures du coffret sont prévues pour la ventilation, pour assurer un fonctionnement stable de l'appareil et pour éviter sa surchauffe. Pour éviter les risques d'incendie, ne bouchez jamais les ouvertures et ne les recouvrez pas d'objets, tels que journaux, nappes ou rideaux, et n'utilisez pas l'appareil posé sur un tapis épais ou un lit.

D3-4-2-1-7b*_A1_Fr


Milieu de fonctionnement

Température et humidité du milieu de fonctionnement : De +5 °C à +35 °C (de +41 °F à +95 °F) ; Humidité relative inférieure à 85 % (orifices de ventilation non obstrués)

N'installez pas l'appareil dans un endroit mal ventilé ou un lieu soumis à une forte humidité ou en plein soleil (ou à une forte lumière artificielle).

D3-4-2-1-7c*_A1_Fr

ATTENTION

L'interrupteur  de cet appareil ne coupe pas complètement celui-ci de sa prise secteur. Comme le cordon d'alimentation fait office de dispositif de déconnexion du secteur, il devra être débranché au niveau de la prise secteur pour que l'appareil soit complètement hors tension. Par conséquent, veillez à installer l'appareil de telle manière que son cordon d'alimentation puisse être facilement débranché de la prise secteur en cas d'accident. Pour éviter tout risque d'incendie, le cordon d'alimentation sera débranché au niveau de la prise secteur si vous prévoyez une période prolongée de non utilisation (par exemple avant un départ en vacances).

D3-4-2-2-2a*_A1_Fr

Lorsque vous utilisez ce produit, vérifiez les informations concernant la sécurité sous l'appareil.

D3-4-2-2-4_B1_Fr

Ce produit respecte la réglementation en matière d'interférences électromagnétiques lorsqu'il est raccordé à d'autres appareils par des câbles et connecteurs blindés.
N'utilisez que les câbles de liaison fournis en accessoires.

D44-8-2_A1_Fr

ATTENTION

Cet appareil est un produit laser de Classe 1, classé selon l'article IEC 60825-1:2007 relatif à la Sécurité des produits laser.

APPAREIL À LASER DE CLASSE 1

D58-5-2-2a_A2_Fr

AVERTISSEMENT

Gardez les pièces de petite taille hors de la portée des bébés et des enfants. En cas d'ingestion accidentelle, veuillez contacter immédiatement un médecin.

D41-6-4_A1_Fr

NOTE IMPORTANTE SUR LE CÂBLE D'ALIMENTATION

Tenir le câble d'alimentation par la fiche. Ne pas débrancher la prise en tirant sur le câble et ne pas toucher le câble avec les mains mouillées. Cela risque de provoquer un court-circuit ou un choc électrique. Ne pas poser l'appareil ou un meuble sur le câble. Ne pas pincer le câble. Ne pas faire de noeud avec le câble ou l'attacher à d'autres câbles. Les câbles d'alimentation doivent être posés de façon à ne pas être écrasés. Un câble abîmé peut provoquer un risque d'incendie ou un choc électrique. Vérifier le câble d'alimentation de temps en temps. Contacter le service après-vente le plus proche ou le revendeur pour un remplacement.

S002*_A1_Fr

Condensation

Des gouttelettes d'eau (condensation) peuvent se former à l'intérieur de l'appareil (sur les pièces et les lentilles) en hiver, par exemple, si vous transportez sans transition l'appareil d'un endroit froid dans un pièce chaude, ou si la température de la pièce où se trouve l'appareil augmente rapidement (un appareil de chauffage, par exemple, est mis en marche). Cet appareil ne fonctionne pas correctement et la lecture n'est pas possible si de la condensation s'est formée dans l'appareil. Laissez l'appareil éteint pendant 1 ou 2 heures à la température ambiante (selon l'intensité de la condensation). Les gouttelettes d'eau s'évaporeront et la lecture sera de nouveau possible. De la condensation peut aussi se former en été si l'appareil est exposé à l'air d'un climatiseur, etc. Dans ce cas, installez l'appareil à un autre endroit.

S005b_A1_Fr

Avant de commencer

Comment lire ce manuel

Merci d'avoir acheté ce produit Pioneer DJ.

Prière de lire cette brochure et le mode d'emploi ! Les deux documents contiennent des informations importantes qui doivent être comprises avant d'utiliser ce produit.

Cela fait, conservez le mode d'emploi de façon à pouvoir vous y référer en cas de nécessité.

- Pour les instructions sur l'acquisition du mode d'emploi, reportez-vous à *Acquisition du Mode d'emploi de cet appareil* (p. 4).

Caractéristiques

Cet appareil est un multi-lecteur conçu pour les DJ professionnels, offrant une grande variété de fonctions et la résistance et maniabilité exigées pour le travail dans les discothèques et night-clubs. De véritables prestations DJ peuvent être réalisées à partir de morceaux enregistrés non seulement sur des dispositifs USB et des ordinateurs mais aussi sur des dispositifs portables (smartphones, tablettes, etc.). Il présente non seulement une grande variété de fonctionnalités, parmi lesquelles les fonctions PRO DJ LINK, WAVE et BEAT SYNC, mais aussi une haute qualité sonore, une conception extrêmement fiable et une disposition du panneau de commande facilitant les manipulations, et s'adaptant ainsi à tous les types de prestations DJ.

Acquisition du Mode d'emploi de cet appareil

Les différents modes d'emploi sont parfois fournis sous forme de fichiers PDF. Adobe® Reader® doit être installé pour pouvoir consulter les fichiers au format PDF.

1 Lancez votre navigateur web sur l'ordinateur et accédez au site de support DJ Pioneer suivant.

<http://pioneerdj.com/support/>

2 Sur le site de support DJ de Pioneer, cliquez sur [Manuals] dans [CDJ-2000NXS2].

3 Cliquez sur la langue souhaitée sur la page de téléchargement.

Le téléchargement du mode d'emploi commence.

Contenu du carton d'emballage

- Cordon d'alimentation
- Câble audio
- Câble LAN
- Broche d'éjection forcée de disque (sous le produit)
- Mode d'emploi (Guide de démarrage rapide) (ce document)
- Carte de garantie

Préparation du logiciel

Le logiciel de gestion musicale rekordbox et le pilote logiciel ne sont pas inclus.

Pour utiliser rekordbox et le pilote logiciel, accédez au site rekordbox et au site de support Pioneer DJ puis téléchargez le logiciel.

Dans ce mode d'emploi, la version de rekordbox pour Mac/Windows est désignée par "rekordbox (Mac/Windows)". "rekordbox" est utilisé pour indiquer simultanément les versions de rekordbox (Mac/Windows) et rekordbox (iOS/Android) et pour faire référence aux fonctions de rekordbox proprement dites.

- Les préparatifs concernant l'ordinateur, les dispositifs réseau et l'environnement Internet nécessaires à la connexion Internet sont du ressort de l'utilisateur.

À propos de rekordbox

rekordbox est un logiciel composite permettant la gestion des morceaux et des performances DJ.

D'excellentes performances DJ peuvent être obtenues en utilisant les fichiers musicaux gérés par rekordbox avec cet appareil.

❖ Acquisition de rekordbox (Mac/Windows)

1 Ouvrez votre navigateur Web sur votre ordinateur et accédez au site rekordbox.

<http://rekordbox.com/>

2 Cliquez sur [Téléchargement des mises à jour.] dans le site rekordbox et téléchargez rekordbox depuis la page de téléchargement.

- Pour toute demande d'informations au sujet de rekordbox (Mac/Windows), veuillez consulter le site d'assistance indiqué ci-dessus.

❖ À propos de rekordbox (iOS/Android)

Les pistes gérées par rekordbox peuvent être lues en connectant le dispositif portable sur lequel rekordbox (iOS/Android) est installé par USB. Pour connaître les dispositifs pris en charge, consultez le site Pioneer support DJ (<http://pioneerdj.com/support/>).

- Pour le détail sur l'installation de rekordbox (iOS/Android), consultez le site Pioneer (<http://rekordbox.com/>).

À propos du pilote

❖ Pilote audio (Windows)

- Ce logiciel est un pilote ASIO prévu exclusivement pour transmettre des signaux audio de l'ordinateur.
- Il n'est pas nécessaire d'installer le pilote dans le cas de Mac OS X.

❖ Pilote de connexion USB (Exportation LINK) pour rekordbox (Mac/Windows)

- Pilote dédié à la connexion de cet appareil et de rekordbox (Mac/Windows) via USB (Exportation LINK).
 - ➔ Pour plus de détails sur la connexion USB (Exportation LINK), reportez-vous au mode d'emploi de ce produit.

❖ Obtention du pilote

1 Lancez votre navigateur web sur l'ordinateur et accédez au site de support DJ Pioneer suivant.

<http://pioneerdj.com/support/>

2 Cliquez sur [Software Download] dans [CDJ-2000NXS2] sur le site de support DJ de Pioneer.

3 Cliquez sur l'icône du pilote pour télécharger le pilote depuis la page de téléchargement.

- Pour plus d'informations sur l'installation du pilote logiciel, rendez-vous sur le site de support Pioneer DJ.

Support utilisable

Pour le détail, reportez-vous au mode d'emploi de ce produit.

À propos des disques

Cet appareil peut lire les CD de musique (CD-DA) et les fichiers de musique enregistrés sur CD-ROM (CD-R et CD-RW) ou DVD-ROM (DVD-R, DVD-RW, DVD-R DL, DVD+R, DVD+RW et DVD+R DL).

- Les disques de 8 cm ne peuvent pas être lus.

À propos des cartes mémoire SD

Cet appareil peut lire des fichiers de musique enregistrés sur des cartes mémoire SD conformes aux normes SD.

Carte prises en charge ^[1]	<ul style="list-style-type: none">• Cartes mémoire SD : 8 Mo – 2 Go• Cartes mémoire SDHC : 4 Go – 32 Go
Formats compatibles	<ul style="list-style-type: none">• Cartes mémoire SD : FAT12 et FAT16 (conformes aux normes SD)• Cartes mémoire SDHC : FAT32 (conformes aux normes SD)

[1] Le CPRM n'est pas pris en charge.

À propos des appareils USB

Cet appareil peut lire des fichiers de musique enregistrés sur des dispositifs USB de stockage de masse (disques durs externes, mémoires flash portables, etc.).

Systèmes de fichiers pris en charge	FAT16, FAT32 et HFS+ (NTFS n'est pas pris en charge.)
-------------------------------------	---

Les pistes gérées par rekordbox peuvent être lues en connectant le dispositif portable sur lequel rekordbox (iOS/Android) est installé par USB. Pour connaître les dispositifs pris en charge, consultez le site Pioneer support DJ (<http://pioneerdj.com/support/>). Pour rekordbox (iOS/Android), consultez le site d'assistance en ligne rekordbox (<http://rekordbox.com/>).

- Les informations, telles que les données d'identification d'un disque, les points de repère, les points de boucle et les points instantanés, peuvent être enregistrées sur des dispositifs de stockage (SD, USB).
- Selon le dispositif de stockage (SD, USB) utilisé, la performance peut ne pas être telle qu'escomptée.
- Le fonctionnement de tous les dispositifs de stockage (SD, USB) sur cet appareil n'est pas garanti.

Raccordements

- Veillez à toujours éteindre les appareils et à débrancher le cordon d'alimentation de la prise secteur avant de raccorder un appareil ou de changer les liaisons.
- Reportez-vous au mode d'emploi de l'appareil devant être raccordé.
- Lorsque tous les appareils ont été raccordés, vous pouvez brancher le cordon d'alimentation.
- Lorsque vous utilisez un câble LAN pour la connexion, veillez à utiliser soit le câble LAN fourni avec ce produit soit un câble STP (blindé à fils torsadés).
- Ne débranchez pas le câble LAN lorsque des fichiers de musique et/ou des informations sont partagés avec PRO DJ LINK.

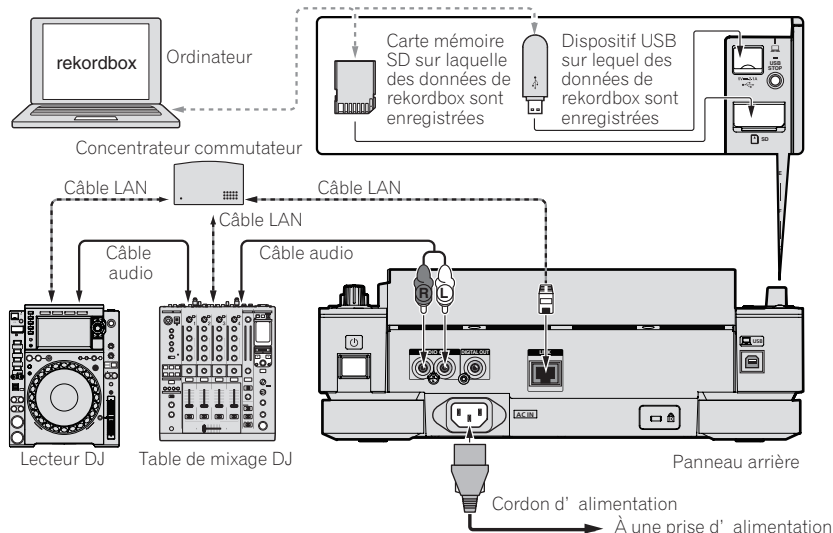
Style de base

Pour la lecture sur cet appareil, il faut utiliser principalement des morceaux préparés à l'avance dans rekordbox sur l'ordinateur.

- Pour des instructions sur le fonctionnement de rekordbox, reportez-vous au manuel de l'utilisateur de rekordbox (Mac/Windows). Le manuel de l'utilisateur de rekordbox (Mac/Windows) est accessible depuis le menu [Aide] de rekordbox.
- Quant aux lecteurs DJ et aux tables de mixage DJ, en tout quatre lecteurs compatibles PRO DJ LINK peuvent être raccordés à l'aide de câbles LAN (CAT5e) via les liaisons PRO DJ LINK.
- Un concentrateur commutateur (en vente dans le commerce) peut s'avérer nécessaire, selon les modèles utilisés ensemble. Utilisez un concentrateur commutateur de 100 Mbps ou plus. Certains concentrateurs-commutateurs peuvent ne pas fonctionner correctement.
- Un concentrateur commutateur (en vente dans le commerce) est nécessaire pour se raccorder à une table de mixage pourvue d'un port LAN seulement. Si la table de mixage présente suffisamment de ports LAN pour tous les lecteurs DJ et les ordinateurs du système, raccordez ceux-ci directement aux ports LAN du panneau arrière de la table de mixage sans concentrateur commutateur.

PRO DJ LINK (Exportation SD & USB)

- Les fichiers de musique et les données rekordbox pouvant être échangés avec cet appareil à l'aide d'une mémoire (mémoire flash, disques durs, etc.), il est inutile d'apporter son ordinateur dans la cabine DJ. Les informations, comme les listes de lecture, repères, boucles et points instantanés, préparées à l'avance dans rekordbox peuvent être utilisées pour la lecture.



Attention

Afin de maximiser l'utilisation des fonctions de gestion des fichiers musicaux de rekordbox, veillez faire correspondre le numéro du lecteur avec le canal du câble audio entré dans le mélangeur.

Si le numéro de lecteur est différent, changez le réglage de [PLAYER No.] sur l'écran [UTILITY].

➔ Pour les instructions sur les changements des réglages sur l'écran [UTILITY], reportez-vous au mode d'emploi de ce produit.

- Quand un dispositif de stockage est raccordé à cet appareil, [PLAYER No.] apparaît en gris et ne peut pas être changé. Débranchez le dispositif de stockage ou le câble LAN pour couper la liaison, puis changez le réglage.

Fonctionnement

Mise sous tension

1 Après avoir effectué tous les raccordements, branchez le cordon d'alimentation sur une prise murale.

➔ Raccordements (p.6)

2 Appuyez sur le commutateur [⏻].

Les indicateurs de cet appareil s'allument et l'appareil se met sous tension.

Mise hors tension

Appuyez sur le commutateur [⏻].

Cet appareil se met hors tension.

- Ne retirez pas la carte mémoire SD et n'éteignez pas cet appareil quand l'indicateur de carte mémoire SD clignote. Les données de gestion de cet appareil pourraient être effacées et la carte mémoire SD endommagée, ce qui la rendrait illisible.
- Ne retirez pas le dispositif USB et n'éteignez pas l'appareil pendant que l'indicateur USB clignote. Les données de gestion de l'appareil peuvent être supprimées. Le dispositif USB peut également devenir illisible.

Insertion d'un disque

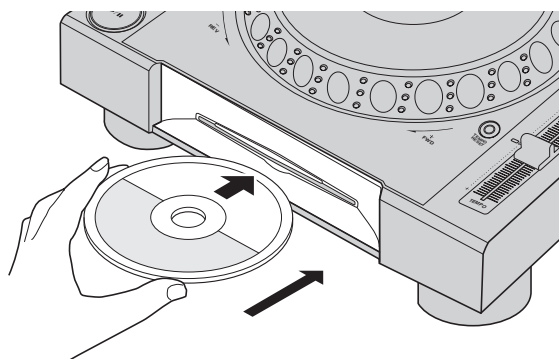
- Ce lecteur ne peut contenir qu'un seul disque. N'insérez pas plusieurs disques à l'intérieur.
- N'insérez pas de disques en forçant dans la fente d'insertion de disque quand cet appareil est éteint. Ceci peut endommager le disque et entraîner un dysfonctionnement de cet appareil.
- Lorsque le disque est tiré à l'intérieur ou éjecté, n'exercez pas de force dans le sens opposé au mouvement du disque. Le disque ou l'appareil pourraient être endommagés.

1 Appuyez sur le commutateur [⏻] pour mettre cet appareil sous tension.

2 Insérez le disque horizontalement dans la fente d'insertion de disque, face imprimée du disque orientée vers le haut.

La lecture commence lorsque les informations du disque ont été lues.

- Si un disque contenant des fichiers de musique enregistrés dans une structure hiérarchique est inséré, la lecture commence par les morceaux de la couche supérieure.



- Quand la pose de repères automatiques est activée, le disque se met en pause à la position où le son doit démarrer. Dans ce cas, appuyez sur [PLAY/PAUSE ▶/II] pour démarrer la lecture.
➔ Pour le détail sur la fonction de repère automatique, reportez-vous au mode d'emploi de ce produit.

- Si un disque est inséré alors qu'un dispositif de stockage (SD, USB) a été raccordé à cet appareil antérieurement ou si un autre lecteur DJ Pioneer est raccordé, le nombre de disques, y compris les informations relatives aux disques, s'affiche quelques secondes sur l'écran de l'appareil principal.
➔ Pour le détail sur la mémoire d'informations des disques, reportez-vous au mode d'emploi de ce produit.

Insertion d'une carte mémoire SD

- Ne pas insérer d'objets autres qu'une carte mémoire SD dans la fente d'insertion de carte mémoire SD. L'insertion d'une pièce ou d'un objet métallique pourrait endommager le circuit interne et provoquer une panne.
- Ne pas forcer en insérant ou retirant une carte mémoire SD. La carte mémoire SD ou cet appareil pourraient être endommagés.

1 Appuyez sur le commutateur [⏻] pour mettre cet appareil sous tension.

2 Ouvrez le volet de carte mémoire SD.

3 Insérez la carte mémoire SD.

Insérez la carte mémoire SD à la verticale, en orientant la face arrière vers l'avant et l'encoche vers le bas. Appuyez lentement sur la carte jusqu'à l'arrêt.

4 Fermez le volet de carte mémoire SD.

Connexion d'un dispositif USB

1 Appuyez sur le commutateur [⏻] pour mettre cet appareil sous tension.

2 Insérez le dispositif USB dans la fente d'insertion du dispositif USB.

Lecture d'un support raccordé à ou inséré dans cet appareil

1 Insérez le support dans cet appareil.

2 Appuyez sur la touche correspondant au support ([DISC], [SD] ou [USB]).

Les morceaux ou dossiers apparaissent dans une liste.

Le support dont le contenu apparaît sur l'afficheur de l'appareil principal peut être changé.

Touche **[DISC]** : Affiche le contenu du disque inséré.

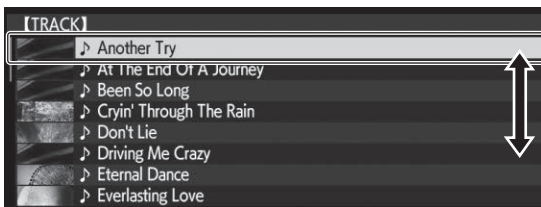
Touche **[SD]** : Affiche le contenu de la carte mémoire SD insérée.

Touche **[USB]** : Affiche le contenu du dispositif USB ou du dispositif portable raccordé.

- Si le dispositif de stockage (SD, USB) contient les informations de la bibliothèque rekordbox, la bibliothèque rekordbox apparaîtra.
 - Pour les instructions sur l'exploration de la bibliothèque rekordbox, reportez-vous au mode d'emploi de ce produit.

3 Tournez le sélecteur rotatif.

Déplacez le curseur et sélectionnez l'élément.



- Appuyez sur le sélecteur rotatif pour avancer à une couche inférieure du dossier. Appuyez sur la touche **[BACK]** pour revenir à la couche précédente.
- Si la touche **[BACK]** est pressée plus d'une seconde ou si la touche du support exploré est pressée, l'affichage revient à la couche supérieure.

4 Sélectionnez le morceau puis appuyez sur le sélecteur rotatif.

Lorsque le morceau est chargé, l'écran de lecture normal réapparaît.

Le morceau est chargé, la lecture commence et la touche de support appropriée clignote.

- Pour le détail sur l'écran de lecture normale, reportez-vous au mode d'emploi de ce produit.

Pour d'autres opérations, reportez-vous au mode d'emploi de ce produit.

Informations supplémentaires

En cas de panne

- Une erreur de commande est souvent prise pour une anomalie de fonctionnement ou une panne. S'il vous semble que quelque chose est anormal avec cet appareil, vérifiez les points suivants et les [FAQ] du [CDJ-2000NXS2] sur le site de support DJ de Pioneer.
<http://pioneerdj.com/support/>
Parfois, le problème peut provenir d'un autre composant. Examinez les autres composants et les appareils électriques utilisés. Si le problème ne peut pas être résolu, contactez votre service après-vente agréé Pioneer ou votre revendeur pour une réparation.
- De l'électricité statique ou des influences externes ont peut être dérégulé cet appareil. Dans ce cas, il est possible de faire fonctionner à nouveau l'appareil en l'éteignant, puis rallumant 1 minute plus tard.

Problème	Vérification	Solution
Le disque ne peut pas être éjecté.	Est-ce que [EJECT/LOAD LOCK] est réglé sur [LOCK] ?	Appuyez sur la touche [PLAY/PAUSE▶/II] pour mettre l'appareil en pause, puis appuyez sur [DISC EJECT▲].
	—	Réglez [EJECT/LOAD LOCK] dans [UTILITY] sur [UNLOCK], puis appuyez sur la touche [DISC EJECT▲]. Si la touche [DISC EJECT▲] ne fonctionne pas, insérez la broche dans le trou d'éjection forcée de disque pour éjecter le disque.
La lecture ne commence pas lorsqu'un disque est chargé.	Est-ce que le disque ou le fichier peut être lu ?	Reportez-vous à la page 5, <i>Support utilisable</i> .
	Est-ce que la fonction de repère automatique est en service ?	Appuyez sur [AUTO CUE] pendant au moins 1 seconde pour annuler la fonction de repère automatique.
Le fichier ne peut pas être lu.	Est-ce que le fichier est protégé (par le système DRM) ?	Les fichiers protégés contre la copie ne peuvent pas être lus.
Aucun son produit ou son déformé ou parasité.	Est-ce que la table de mixage DJ raccordée fonctionne correctement ?	Assurez-vous que la table de mixage DJ fonctionne.
	Est-ce que cet appareil se trouve près d'un téléviseur ?	Éteignez le téléviseur ou installez cet appareil à l'écart du téléviseur.
Un bruit fort est produit ou la lecture s'arrête lorsqu'un certain disque est lu.	Est-ce que le disque est rayé ?	Les disques rayés peuvent ne pas être lus.
	Est-ce que le disque est sale ?	Essuyez la saleté du disque.
Les informations d'un fichier ne s'affichent pas correctement.	Est-ce que la [LANGUAGE] correcte est sélectionnée ?	Réglez [LANGUAGE] sur la langue appropriée.
	Est-ce que les informations sont dans une langue qui n'est pas prise en charge par cet appareil ?	Lors de la création de fichiers avec le logiciel DJ, etc. enregistrez les informations dans une langue prise en charge par cet appareil.
La recherche de morceau prend trop de temps.	Est-ce que la fonction de repère automatique est en service ?	La recherche de morceau peut être longue quand il y a des passages silencieux entre les morceaux.
	—	S'il n'est pas possible de localiser le morceau en l'espace de 10 secondes, un point de repère est posé au début du morceau.
La fonction de recherche arrière ne fonctionne pas.	Est-ce qu'un point de repère a été posé ?	Posez un point de repère.
La lecture de boucle ne fonctionne pas.	Est-ce qu'un point de repère a été posé ?	Posez un point de repère.
Les réglages ne sont pas enregistrés dans la mémoire.	Est-ce que l'alimentation a été coupée directement après le changement de réglage ?	Après un changement de réglage, attendez au moins 10 secondes avant de couper l'alimentation.
Le dispositif USB n'est pas reconnu.	Est-ce que le dispositif USB est raccordé correctement ?	Raccordez l'appareil correctement (bien enfoncé).
	Est-ce que l'appareil USB est raccordé par l'intermédiaire d'un concentrateur USB ?	Les concentrateurs USB ne peuvent pas être utilisés.
	Est-ce que le dispositif USB est pris en charge par cet appareil ?	Ce lecteur prend en charge les appareils USB de stockage de masse. Ce lecteur prend en charge les appareils mobiles sur lesquels rekordbox (iOS/Android) est installé.
	Est-ce que le format du fichier est pris en charge par cet appareil ?	Vérifiez le format des fichiers du dispositif USB raccordé. Pour les formats de fichiers pris en charge par cet appareil, reportez-vous à la page 5, <i>À propos des appareils USB</i> .
	—	Mettez le lecteur hors puis de nouveau en service.

Problème	Vérification	Solution
Aucun point de repère et de boucle n'est sauvegardé sur les dispositifs de stockage (SD, USB).	Essayez-vous sauvegarder plus de points qu'il n'est possible ?	Le nombre de points de repère ou de boucles pouvant être sauvegardés sur des dispositifs de stockage (SD, USB) par disque est limité à 100. Pour les dispositifs qui ne sont pas des disques, la limite maximale est de 10 points par morceau. Si vous essayez de sauvegarder des points au-delà de la limite, [CUE/LOOPPOINT FULL] s'affiche et les points ne peuvent pas être sauvegardés. Dans ce cas, supprimez quelques points avant d'en sauvegarder de nouveaux.
	Est-ce que le dispositif de stockage (SD, USB) est protégé contre l'écriture ?	Si une carte mémoire SD est protégée, [CARD PROTECTED] s'affiche et les points ne peuvent pas être sauvegardés. Si dispositif USB est protégé, [USB FULL] s'affiche et les points ne peuvent pas être sauvegardés. Désactivez la protection et sauvegardez les points.
	L'espace disponible sur le dispositif de stockage (SD, USB) est-il suffisant ?	Si l'espace disponible sur une carte mémoire SD n'est pas suffisant, [CARD FULL] s'affiche et les points ne peuvent pas être sauvegardés. Si l'espace disponible sur dispositif USB n'est pas suffisant, [USB FULL] s'affiche et les points ne peuvent pas être sauvegardés. Libérez de l'espace et sauvegardez les points.
Les points de repère ou les boucles de morceaux sauvegardés sur un dispositif de stockage (SD, USB) ne s'affichent pas.	Est-ce que le dispositif USB a été arrêté correctement avant d'être débranché la dernière fois ?	Les points peuvent ne pas s'afficher si la procédure requise n'a pas été effectuée lors du retrait de la carte mémoire SD ou du dispositif USB ou si l'appareil a été éteint. Assurez-vous que l'indicateur de carte mémoire SD ou USB est complètement éteint avant de déconnecter des dispositifs de stockage (SD, USB) ou d'éteindre l'appareil.
Lorsque des touches sont pressées pour rappeler le mode de sauvegarde de repères instantanés ou de rebouclage, ou lorsque le levier est déplacé pour la lecture arrière, l'opération ne démarre pas immédiatement.	Est-ce que la quantification est en service ?	Lorsque la quantification est en service, la lecture démarre au temps le plus proche du moment où les touches ont été pressées ou le levier déplacé. Pour démarrer la lecture dès que les touches sont pressées ou le levier déplacé, mettez la quantification hors service.
L'affichage d'adresse de lecture n'apparaît pas en mode de temps restant.	—	Lors de la lecture de fichiers enregistrés en VBR, il arrive parfois que l'appareil ne détecte pas immédiatement la longueur du morceau et, dans ce cas, il faut attendre un peu avant que l'affichage d'adresse de lecture apparaisse.
Il faut un certain temps pour lire un dispositif de stockage (SD, USB) (mémoire flash ou disque dur).	Est-ce qu'un grand nombre de dossiers ou fichiers sont sauvegardés sur le dispositif de stockage (SD, USB) ?	Le chargement peut durer un certain temps si la quantité de dossiers ou de fichiers est importante.
	Est-ce que des fichiers qui ne sont pas des fichiers de musique sont sauvegardés sur le dispositif de stockage (SD, USB) ?	Lorsque des fichiers autres que des fichiers de musique sont enregistrés dans des dossiers, il faut un certain temps pour les lire. N'enregistrez pas de fichiers ou de dossiers autres que des fichiers de musique sur le dispositif USB.
L'exploration de bibliothèques n'est pas possible.	Est-ce que le support inséré contient des bibliothèques ?	Le mode d'exploration de bibliothèques ne peut être sélectionné que si le support inséré contient des bibliothèques. Si le support inséré ne contient pas de bibliothèques, le mode d'exploration de dossiers est sélectionné.
[HISTORY] ne s'affiche pas.	Est-ce que le dispositif de stockage (SD, USB) est raccordé ?	La fonction [HISTORY] ne peut être utilisée que sur le lecteur DJ auquel le dispositif de stockage (SD, USB) est raccordé.
Rien de ne s'affiche.	Est-ce que la veille automatique est en service ?	En usine, la veille automatique a été mise en service sur cet appareil. Si vous ne voulez pas utiliser la veille automatique, réglez [AUTO STANDBY] sur [OFF] .
La gamme n'est pas indiquée.	Est-ce que le morceau dure plus de 15 minutes ?	La gamme n'est pas indiquée pour les morceaux de plus de 15 minutes.
PRO DJ LINK ne fonctionne pas bien.	Est-ce que les numéros de lecteurs sont réglés correctement ?	Réglez [PLAYER No.] sur [AUTO] ou sur un autre numéro que celui qui est actuellement spécifié.
	Est-ce que le câble LAN est correctement raccordé ?	Raccordez le câble LAN correctement à la prise [LINK] .
	Est-ce que le concentrateur commutateur est en service ?	Mettez le concentrateur commutateur en service.
	Est-ce qu'un dispositif inutile est raccordé au concentrateur commutateur ?	Débranchez le dispositif inutile du concentrateur commutateur.
Il n'y a aucune réponse quand vous touchez l'écran ou la réponse est mauvaise. Une position différente de l'emplacement réellement touché répond.	Le réglage de l'étalonnage de l'écran tactile dévie.	Réglez l'écran tactile en utilisant les paramètres [TOUCH DISPLAY CALIBRATION] dans l'écran [UTILITY] .

Messages d'erreur

Lorsque cet appareil ne peut pas fonctionner normalement, un code d'erreur apparaît sur l'afficheur. Reportez-vous au tableau suivant et prenez les mesures indiquées. Si le code d'erreur indiqué ne se trouve pas dans le tableau ci-dessous ou si le même code d'erreur réapparaît bien que la mesure suggérée ait été prise, contactez votre revendeur.

Code d'erreur	Type d'erreur	Description de l'erreur	Cause et solution
E-7201	CANNOT READ DISC	Les données de la TOC ne peuvent pas être lues.	<ul style="list-style-type: none"> Le disque est craquelé. → Remplacez le disque. Le disque est sale. → Nettoyez le disque.
E-8301	CANNOT READ DISC	Un disque ne pouvant pas être lu normalement est inséré.	<ul style="list-style-type: none"> Si le lecteur fonctionne normalement avec d'autres disques, le problème vient de ce disque.
E-8302	CANNOT PLAY TRACK(****)	Les données (fichier) de morceau sur le disque ou le dispositif de stockage (SD, USB) ne peut pas être lu correctement.	<ul style="list-style-type: none"> Les données (fichier) du morceau sont peut-être altérées. → Vérifiez si le morceau (fichier) peut être lu sur un autre lecteur, etc., capable de lire les mêmes formats que cet appareil.

Code d'erreur	Type d'erreur	Description de l'erreur	Cause et solution
E-8304 E-8305	UNSUPPORTED FILE FORMAT	Des fichiers de musique ne pouvant pas être lus normalement sont chargés.	Mauvais format. → Remplacez les fichiers par des fichiers de musique enregistrés dans le format approprié.
E-9101	MECHANICAL TIMEOUT	Erreur mécanique (fin de session) durant le chargement ou l'éjection du disque.	Apparaît quand le fonctionnement d'un mécanisme n'est pas effectué dans le temps spécifié.

Nettoyer l'écran tactile

N'utilisez pas de solvants organiques, d'acides ou d'alcalins pour nettoyer la surface de l'écran tactile. Essayez avec un chiffon doux et sec ou un chiffon plongé dans un détergent neutre et essoré correctement.

À propos des marques commerciales et des marques déposées

- Pioneer DJ est une marque commerciale de PIONEER CORPORATION qui est utilisée sous licence. rekordbox et KUVU sont des marques commerciales ou des marques déposées de Pioneer DJ Corporation.
- Windows est une marque déposée de Microsoft Corporation aux États-Unis et dans d'autres pays.
- Adobe et Reader sont soit des marques déposées soit des marques commerciales de Adobe Systems Incorporated aux États-Unis et/ou dans d'autres pays.
- ASIO est une marque commerciale de Steinberg Media Technologies GmbH.
- Le logo SD est une marque commerciale de SD-3C, LLC.



- Le logo SDHC est une marque commerciale de SD-3C, LLC.



- DVD** est une marque de commerce de DVD Format/Logo Licensing Corporation.
- Les accessoires électroniques portant la mention « Made for iPod », « Made for iPhone » et « Made for iPad » ont été conçus pour fonctionner respectivement avec un iPod, un iPhone ou un iPad et sont certifiés conformes aux exigences d'Apple par le fabricant. Apple n'est pas responsable pour le fonctionnement de cet appareil ou de sa compatibilité avec les normes réglementaires et de sécurité. Veuillez noter que l'emploi de cet accessoire avec un iPod, iPhone ou iPad peut affecter les performances sans fil.

Made for



- Apple, iPad, iPhone, iPod, iPod touch, iTunes, Mac, Mac OS et OS X sont des marques commerciales d'Apple Inc., déposées aux États-Unis et dans d'autres pays.
- iOS est une marque commerciale dont les droits afférents sont détenus par Cisco aux États-Unis et dans d'autres pays.
- Android™ est une marque commerciale de Google Inc.
- Wi-Fi est une marque déposée de Wi-Fi Alliance.
- Les noms de sociétés et de produits mentionnés ici sont des marques commerciales ou des marques déposées de leurs détenteurs respectifs.

- This software is based in part on the work of the Independent JPEG Group.
- Le logiciel présent dans cet appareil emploie partiellement un logiciel de l'Independent JPEG Group.

À propos de l'utilisation de fichiers MP3

La licence de ce produit a été accordée pour un usage non lucratif. La licence n'a pas été accordée à ce produit pour un usage commercial (but lucratif), comme la diffusion radiotélévision (terrestre, satellite, câblée ou autre), la diffusion sur Internet ou Intranet (réseau d'entreprise) ou sur tout autre type de réseaux ou de services de distribution d'informations électroniques (services de distribution de musique numérique en ligne). Pour de tels usages vous devez acquérir les licences appropriées. Pour le détail, consultez le site: <http://www.mp3licensing.com>.

Apple Lossless Audio Codec

Copyright © 2011 Apple Inc. All rights reserved.
Licensed under the Apache License, Version 2.0. You may obtain a copy of the License at <http://www.apache.org/licenses/LICENSE-2.0>

Les traductions de la licence logicielle sont fournies sur le site ci-après. Ces traductions ne sont pas des documents officiels.

Reportez-vous au document original en anglais.

Copyright © 2011 Apple Inc. All rights reserved.
Licence Apache License, Version 2.0. Vous pouvez obtenir une copie de la licence sur <http://www.apache.org/licenses/LICENSE-2.0>

FLAC

FLAC Decoder

Copyright © 2000-2009 Josh Coalson

Copyright © 2011-2014 Xiph.Org Foundation

Redistribution and use in source and binary forms, with or without modification, are permitted provided that the following conditions are met:

- Redistributions of source code must retain the above copyright notice, this list of conditions and the following disclaimer.
- Redistributions in binary form must reproduce the above copyright notice, this list of conditions and the following disclaimer in the documentation and/or other materials provided with the distribution.
- Neither the name of the Xiph.org Foundation nor the names of its contributors may be used to endorse or promote products derived from this software without specific prior written permission.

THIS SOFTWARE IS PROVIDED BY THE COPYRIGHT HOLDERS AND CONTRIBUTORS "AS IS" AND ANY EXPRESS OR IMPLIED WARRANTIES, INCLUDING, BUT NOT LIMITED TO, THE IMPLIED WARRANTIES OF MERCHANTABILITY AND FITNESS FOR A PARTICULAR PURPOSE ARE DISCLAIMED. IN NO EVENT SHALL THE FOUNDATION OR CONTRIBUTORS BE LIABLE FOR ANY DIRECT, INDIRECT, INCIDENTAL, SPECIAL, EXEMPLARY, OR CONSEQUENTIAL DAMAGES (INCLUDING, BUT NOT LIMITED TO, PROCUREMENT OF SUBSTITUTE GOODS OR SERVICES; LOSS OF USE, DATA, OR PROFITS; OR BUSINESS INTERRUPTION) HOWEVER CAUSED AND ON ANY THEORY OF LIABILITY, WHETHER IN CONTRACT, STRICT LIABILITY, OR TORT (INCLUDING NEGLIGENCE OR OTHERWISE) ARISING IN ANY WAY OUT OF THE USE OF THIS SOFTWARE, EVEN IF ADVISED OF THE POSSIBILITY OF SUCH DAMAGE.

Précautions concernant les droits d'auteur

rekordbox limite la lecture et la copie de contenus musicaux protégés par des droits d'auteur.

- Si des données codées sont insérées dans le contenu musical, par exemple pour la protection des droits d'auteur, le programme risque de ne pas fonctionner normalement.
- Lorsque rekordbox détecte que des données codées sont insérées dans le contenu musical, par exemple pour la protection des droits d'auteur, l'opération en cours (lecture d'un morceau, lecture de données, etc.) peut s'arrêter.

Les enregistrements effectués sont destinés à votre usage personnel et, conformément aux lois sur les droits d'auteur, il se peut que leur utilisation soit soumise au consentement du détenteur des droits.

- La musique enregistrée à partir de CD, etc. est protégée par les lois sur les droits d'auteur de divers pays et par des traités internationaux. La personne qui effectue des enregistrements de musique est responsable de leur utilisation légale.
- Lorsque de la musique est téléchargée d'Internet, etc., la personne qui a effectué le téléchargement est responsable de l'utilisation de cette musique conformément à l'accord conclu avec le site de téléchargement.

Spécifications

Alimentation..... CA 110 V à 240 V, 50 Hz/60 Hz
Consommation..... 41 W
Consommation (en veille)..... 0,4 W
Poids de l'appareil principal..... 5,7 kg
Dimensions maximales..... 320 mm (L) × 113,2 mm (H) × 414,4 mm (P)
Température de fonctionnement tolérée..... +5 °C à +35 °C
Humidité de fonctionnement tolérée5 % à 85 % (sans condensation)

Sortie audio analogique (AUDIO OUT L/R)

Prise de sortiePrise RCA
Niveau de sortie2,0 Vrms (1 kHz)
Réponse en fréquence..... 4 Hz à 40 kHz
Rapport S/B..... 115 dB
Distorsion harmonique totale 0,0018 %

Sortie audio numérique (DIGITAL OUT)

Prise de sortiePrise RCA
Type de sortie Numérique coaxiale (S/PDIF)
Niveau de sortie0,5 Vc-c (75 Ω)
Format de sortie 44,1 kHz/96 kHz, 24 bits/16 bits

Section aval USB (USB)

PortType A
Alimentation.....5 V/2,1 A ou moins

Section amont USB (USB)

PortType B

LAN (PRO DJ LINK)

Caractéristiques nominales 100 Base-TX

Section carte mémoire SD

Système de fichiers..... Conforme aux "Spécifications SD Version 2.00 Spécifications du système de fichiers Partie 2"
Capacité maximale de la mémoire 32 Go

Écran principal

Type d'écranÉcran à cristaux liquides TFT à matrice active (LCD)
Langues prises en charge18 langues

— Les caractéristiques et la présentation peuvent être modifiées, sans avis préalable, dans un souci d'amélioration.

- © 2015 Pioneer DJ Corporation. Tous droits de reproduction et de traduction réservés.



Mischen Sie dieses Produkt, wenn Sie es entsorgen wollen, nicht mit gewöhnlichen Haushaltsabfällen. Es gibt ein getrenntes Sammelsystem für gebrauchte elektronische Produkte, über das die richtige Behandlung, Rückgewinnung und Wiederverwertung gemäß der bestehenden Gesetzgebung gewährleistet wird.

Privathaushalte in den Mitgliedsstaaten der EU, in der Schweiz und in Norwegen können ihre gebrauchten elektronischen Produkte an vorgesehenen Sammelrichtungen kostenfrei zurückgeben oder aber an einen Händler zurückgeben (wenn sie ein ähnliches neues Produkt kaufen).

Bitte wenden Sie sich in den Ländern, die oben nicht aufgeführt sind, hinsichtlich der korrekten Verfahrensweise der Entsorgung an die örtliche Kommunalverwaltung.

Auf diese Weise stellen Sie sicher, dass das zu entsorgende Produkt der notwendigen Behandlung, Rückgewinnung und Wiederverwertung unterzogen wird, und so mögliche negative Einflüsse auf die Umwelt und die menschliche Gesundheit vermieden werden.

K058b_A1_De

WARNUNG

Dieses Gerät ist nicht wasserdicht. Zur Vermeidung der Gefahr von Brand und Stromschlag keine Behälter mit Flüssigkeiten (z.B. Blumenvasen und -töpfe) in die Nähe des Gerätes bringen und dieses vor Tropfwasser, Spritzwasser, Regen und Nässe schützen.

D3-4-2-1-3_A1_De

ACHTUNG

UM SICH NICHT DER GEFAHR EINES ELEKTRISCHEN SCHLAGES AUSZUSETZEN, DÜRFEN SIE NICHT DEN DECKEL (ODER DIE RÜCKSEITE) ENTFERNEN. IM GERÄTEINNEREN BEFINDEN SICH KEINE VOM BENUTZER REPARIERBAREN TEILE. ÜBERLASSEN SIE REPARATUREN DEM QUALIFIZIERTEN KUNDENDIENST.

D3-4-2-1-1_B1_De

WARNUNG

Das Netzkabel dieses Gerätes ist mit einem dreipoligen (einschließlich Erdungsstift) Netzstecker ausgestattet, der ausschließlich für den Anschluss an eine (geerdete) Schuko-Steckdose vorgesehen ist. Falls der Netzstecker aufgrund einer abweichenden Ausführung nicht an die Netzsteckdose angeschlossen werden kann, muss ein Elektriker mit der Installation einer vorschriftsmäßigen Netzsteckdose beauftragt werden. Beim Erdungsstift handelt es sich um eine Sicherheitsvorrichtung, die auf keinen Fall umgangen oder außer Kraft gesetzt werden darf.

D3-4-2-1-6_A1_De

WARNUNG

Keine Quellen offener Flammen (z.B. eine brennende Kerze) auf dieses Gerät stellen.

D3-4-2-1-7a_A1_De

VORSICHTSHINWEIS ZUR BELÜFTUNG

Bei der Aufstellung dieses Gerätes muss für einen ausreichenden Freiraum gesorgt werden, um einen einwandfreie Wärmeabfuhr zu gewährleisten (mindestens 5 cm hinter dem Gerät und jeweils 5 cm an der Seite des Gerätes).

WARNUNG

Im Gerätegehäuse sind Ventilationsschlitze und andere Öffnungen vorgesehen, die dazu dienen, eine Überhitzung des Gerätes zu verhindern und einen zuverlässigen Betrieb zu gewährleisten. Um Brandgefahr auszuschließen, dürfen diese Öffnungen auf keinen Fall blockiert oder mit Gegenständen (z.B. Zeitungen, Tischdecken und Gardinen) abgedeckt werden, und das Gerät darf beim Betrieb nicht auf einem dicken Teppich oder Bett aufgestellt sein.

D3-4-2-1-7b*_A1_De


Betriebsumgebung

Betriebstemperatur und Betriebsluftfeuchtigkeit:
+5 °C bis +35 °C, 85 % rel. Feuchte max.
(Ventilationsschlitze nicht blockiert)

Eine Aufstellung dieses Gerät an einem unzureichend belüfteten, sehr feuchten oder heißen Ort ist zu vermeiden, und das Gerät darf weder direkter Sonneneinstrahlung noch starken Kunstlichtquellen ausgesetzt werden.

D3-4-2-1-7c*_A1_De

ACHTUNG

Der -Schalter dieses Gerätes trennt das Gerät nicht vollständig vom Stromnetz. Um das Gerät vollständig vom Netz zu trennen, muss der Netzstecker aus der Netzsteckdose gezogen werden. Daher sollte das Gerät so aufgestellt werden, dass stets ein unbehinderter Zugang zur Netzsteckdose gewährleistet ist, damit der Netzstecker in einer Notsituation sofort abgezogen werden kann. Um Brandgefahr auszuschließen, sollte der Netzstecker vor einem längeren Nichtgebrauch des Gerätes, beispielsweise während des Urlaubs, grundsätzlich von der Netzsteckdose getrennt werden.

D3-4-2-2-2a*_A1_De

Bei Verwendung dieses Produktes machen Sie sich bitte mit der Sicherheitsinformationen auf der Unterseite des Gerätes vertraut.

D3-4-2-2-4_B1_De

VORSICHT MIT DEM NETZKABEL

Fassen Sie das Netzkabel immer am Stecker. Ziehen Sie nicht am Kabel selbst, und fassen Sie das Netzkabel niemals mit nassen Händen an, da dies einen Kurzschluss oder elektrischen Schlag verursachen kann. Stellen Sie nicht das Gerät, Möbelstücke o.ä. auf das Netzkabel; sehen Sie auch zu, dass es nicht eingeklemmt wird. Machen Sie niemals einen Knoten in das Netzkabel, und binden Sie es nicht mit anderen Kabeln. Das Netzkabel sollte so gelegt werden, dass niemand darauf tritt. Ein beschädigtes Netzkabel kann einen Brand oder elektrischen Schlag verursachen. Prüfen Sie das Netzkabel von Zeit zu Zeit. Sollte es beschädigt sein, wenden Sie sich an Ihre nächste Kundendienststelle oder Ihren Händler, um es zu ersetzen.

S002*_A1_De

WARNUNG

Kleine Teile außerhalb der Reichweite von Kleinkindern und Kindern aufbewahren. Bei unbeabsichtigtem Verschlucken ist unverzüglich ein Arzt aufzusuchen.

D41-6-4_A1_De

Dieses Produkt erfüllt die Anforderungen für elektromagnetische Verträglichkeit bei Anschluss an andere Geräte über abgeschirmte Kabel und Stecker. Verwenden Sie nur die als Zubehör mitgelieferten Verbindungskabel.

D44-8-2_A1_De

ACHTUNG

Bei diesem Gerät handelt es sich zwar um ein Laserprodukt der Klasse 1, das entsprechend dem Standard Sicherheit für Laserprodukte IEC 60825-1:2007 klassifiziert ist.

LASER KLASSE 1

D58-5-2-2a_A1_De

Kondensation

Wassertröpfchen (Kondensation) können sich im Gerät (auf Funktionsteilen und Linsen) im Winter absetzen, zum Beispiel wenn das Gerät von einem kalten Ort in einen warmen Raum gebracht wird oder wenn die Temperatur im Raum, in dem das Gerät installiert ist, plötzlich ansteigt (durch Heizung usw.). Das Gerät funktioniert nicht richtig und kann nicht zur Wiedergabe verwendet werden, wenn sich im Inneren Kondensation gebildet hat. Lassen Sie das Gerät 1 bis 2 Stunden lang bei Raumtemperatur stehen (die genaue erforderliche Zeit ist je nach Bedingungen der Kondensation unterschiedlich), ohne es einzuschalten. Die Wassertröpfchen verdampfen, und das Gerät wird betriebsbereit. Kondensation kann auch im Sommer auftreten, z.B. wenn das Gerät dem direkten Luftstrom von einer Klimaanlage, usw. ausgesetzt ist. In diesem Fall stellen Sie das Gerät an einem anderen Ort auf.

S005b_A1_De

Bevor Sie beginnen

Zum Lesen dieser Anleitung

Vielen Dank, dass Sie sich für dieses Pioneer DJ-Produkt entschieden haben.

Lesen Sie immer sowohl dieses Infoblatt als auch die Bedienungsanleitung! Beide Dokumente enthalten wichtige Informationen, mit denen Sie sich vor dem Gebrauch dieses Produktes vertraut machen müssen.

Nachdem Sie die Bedienungsanleitung gelesen haben, legen Sie sie griffbereit zum Nachschlagen ab.

- Anweisungen zur Erhalten der Bedienungsanleitung siehe *Erhalten der Bedienungsanleitung dieser Einheit* (S. 4).

Merkmale

Dieses Gerät ist ein Multi-Player für professionelle DJs, der eine Vielfalt der Funktionen, Haltbarkeit und Bedienbarkeit bietet, wie sie zur Arbeit in Diskotheken und Nachtclubs erforderlich sind. Umfassende DJ-Auftritte können damit durch Verwendung von Tracks auf USB-Geräten, Computern und Mobilgeräten (Smartphones usw.) ausgeführt werden. Dieser Player bietet nicht nur eine Vielzahl von Funktionen für DJ-Auftritte, einschließlich PRO DJ LINK-, WAVE- und BEAT-SYNC-Funktionen, sondern auch eine hohe Tonqualität, ein hochzuverlässiges Design und ein Panellayout, das optimale Bedienbarkeit bereitstellt und so eine solide Unterstützung bei allen Arten von DJ-Auftritten bietet.

Erhalten der Bedienungsanleitung dieser Einheit

Die verschiedenen Anleitungen werden manchmal in Form von PDF-Dateien angeboten. Adobe® Reader® muss installiert sein, um Dateien im PDF-Format zu betrachten.

1 Starten Sie einen Webbrowser auf dem Computer und gehen Sie zu der unten angegebenen Pioneer DJ-Support-Website.

<http://pioneerdj.com/support/>

2 Auf der Pioneer DJ-Support-Website klicken Sie auf [Manuals] unter [CDJ-2000NXS2].

3 Klicken Sie auf die erforderliche Sprache auf der Download-Seite.

Der Download der Bedienungsanleitung beginnt.

Lieferumfang

- Netzkabel
- Audiokabel
- LAN-Kabel
- Eindrückstift zum Disc-Zwangsanschub (unten am Produkt angeordnet)
- Bedienungsanleitung (Kurzanleitung) (dieses Dokument)
- Garantiekarte

Vorbereiten der Software

Die rekordbox-Musikverwaltungssoftware und die Treibersoftware sind nicht im Lieferumfang enthalten.

Zum Verwenden von rekordbox und der Treibersoftware rufen Sie die rekordbox- und Pioneer DJ-Support-Seite auf und laden die jeweilige Software herunter.

In dieser Bedienungsanleitung bezieht sich „rekordbox (Mac/Windows)“ auf die Mac/Windows-Version von rekordbox. „rekordbox“ wird kollektiv für rekordbox (Mac/Windows) und rekordbox (iOS/Android) verwendet,

sowie auch bei direkter Bezugnahme auf rekordbox-Funktionen.

- Der Benutzer ist für die Vorbereitung des Computers, Netzwerkgeräte und andere Elemente der Internetverwendungsumgebung verantwortlich, die für die Verbindung zum Internet erforderlich sind.

Über rekordbox

rekordbox ist eine Verbundsoftware für DJ-Auftritte auf die Verwaltung von Tracks.

Durch Verwendung der mittels rekordbox verwalteten Musikdateien gemeinsam mit diesem Gerät kann ein gelungener DJ-Auftritt erzielt werden.

❖ Bezug von rekordbox (Mac/Windows)

1 Öffnen Sie Ihren Webbrowser an Ihrem Computer und greifen auf die rekordbox-Seite zu.

<http://rekordbox.com/>

2 Klicken Sie auf [Download] auf der rekordbox-Seite und laden rekordbox von der Download-Seite herunter.

- Für Anfragen über rekordbox (Mac/Windows) besuchen Sie die oben angegebene Support-Site.

❖ Über rekordbox (iOS/Android)

Von rekordbox verwaltete Tracks können durch Anschluss des mobilen Gerätes abgespielt werden, auf dem rekordbox (iOS/Android) per USB installiert ist. Informationen über unterstützte Geräte finden Sie auf der Website von Pioneer DJ (<http://pioneerdj.com/support/>).

- Einzelheiten zur Installation von rekordbox (iOS/Android) siehe Pioneer-Website (<http://rekordbox.com/>).

Über die Treiber-Software

❖ Audiotreiber-Software (Windows)

- Diese Treiber-Software ist ein exklusiver ASIO-Treiber für die Ausgabe von Audio-Signalen vom Computer.
- Bei Verwendung von Mac OS X ist es nicht nötig, die Treiber-Software zu installieren.

❖ USB-Verbindungs-(LINK Export)-Treibersoftware für rekordbox (Mac/Windows)

- Die Treibersoftware ist ein spezieller Treiber für die Verbindung dieser Einheit und rekordbox (Mac/Windows) per USB (LINK Export).
 - ➔ Einzelheiten zur USB-(LINK Export)-Verbindung siehe Bedienungsanleitung dieses Produkts.

❖ Herunterladen der Treibersoftware

1 Starten Sie einen Webbrowser auf dem Computer und gehen Sie zu der unten angegebenen Pioneer DJ-Support-Website.

<http://pioneerdj.com/support/>

2 Klicken Sie auf [Software Download] unter [CDJ-2000NXS2] auf der Pioneer DJ-Support-Website.

3 Klicken Sie auf das Symbol der Treibersoftware, um die Treibersoftware von der Download-Seite herunterzuladen.

- Informationen zum Installieren der Treibersoftware finden Sie auf der Pioneer DJ-Support-Seite.

Geeignete Datenträger

Einzelheiten siehe Bedienungsanleitung dieses Produkts.

Hinweise zu Discs

Diese Einheit kann Musik-CDs (CD-DA) und Musikdateien, aufgenommen auf CD-ROMs (CD-Rs und CD-RWs) oder DVD-ROMs (DVD-Rs, DVD-RWs, DVD-R DLs, DVD+Rs, DVD+RWs und DVD+R DLs), abspielen.

- Single-Discs können nicht abgespielt werden.

Über SD-Speicherkarten

Diese Einheit kann auf SD-Speicherkarten aufgezeichnete Musikdateien abspielen, wenn die SD-Speicherkarten den SD-Standards entsprechen.

Unterstützte Karten ¹⁾	<ul style="list-style-type: none">• SD-Speicherkarten: 8 MB – 2 GB• SDHC-Speicherkarten: 4 GB – 32 GB
Kompatible Formate	<ul style="list-style-type: none">• SD-Speicherkarten: FAT12 und FAT16 (nach SD-Standards)• SDHC-Speicherkarten: FAT32 (nach SD-Standards)

¹⁾ CPRM wird nicht unterstützt.

Über USB-Geräte

Diese Einheit kann Musikdateien abspielen, die auf USB-Massenspeichergeräten (externen Festplatten, tragbaren Flash-Speichergeräten usw.) aufgenommen wurden.

Unterstützte Dateisysteme	FAT16, FAT32 und HFS+ (NTFS ist nicht unterstützt.)
---------------------------	---

Von rekordbox verwaltete Tracks können durch Anschluss des mobilen Gerätes abgespielt werden, auf dem rekordbox (iOS/Android) per USB installiert ist. Informationen über unterstützte Geräte finden Sie auf der Website von Pioneer DJ (<http://pioneerdj.com/support/>). Informationen über rekordbox (iOS/Android) finden Sie auf der Online-Support-Website von rekordbox (<http://rekordbox.com/>).

- Informationen wie Disc-Identifikationsdaten, Cue Points, Loop Points und Hot Cues können auf Speichergeräten (SD, USB) gespeichert werden.
- Je nach dem verwendeten Speichergerät (SD, USB) kann die Leistung möglicherweise anders als erwartet sein.
- Die Funktion aller Speichergeräte (SD, USB) kann auf dieser Einheit nicht garantiert werden.

Anschlüsse

- Schalten Sie die Stromversorgung aus und ziehen Sie das Netzkabel aus der Netzsteckdose, bevor Sie Geräte anschließen oder die Anschlüsse ändern.
 - Beachten Sie die Bedienungsanleitung der angeschlossenen Komponente.
 - Schließen Sie das Netzkabel an, nachdem alle Anschlüsse zwischen den Geräten vorgenommen wurden.
- Bei Verwendung eines LAN-Kabels zum Anschluss stellen Sie sicher, immer das mit diesem Produkt mitgelieferte LAN-Kabel oder ein STP-Kabel (abgeschirmtes, verdrilltes Paar) zu verwenden.
 - Trennen Sie nicht das LAN-Kabel ab, wenn Musikdateien und/oder Informationen mit PRO DJ LINK gemeinsam verwendet werden.

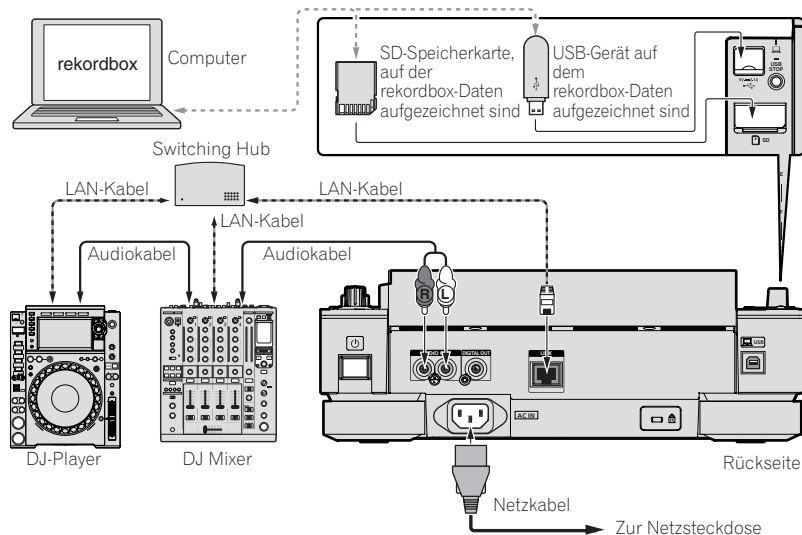
Basic-Stil

Die Wiedergabe auf diesem Gerät wird hauptsächlich mit Tracks ausgeführt, die vorbereitet wurden, während rekordbox auf einem Computer installiert war.

- Für Anweisungen zur Bedienung von rekordbox lesen Sie die Bedienungsanleitung für die rekordbox (Mac/Windows)-Software. Die rekordbox (Mac/Windows)-Bedienungsanleitung kann über das [Hilfe]-Menü von rekordbox eingesehen werden.
- Bei DJ-Playern und DJ-Mixern können bis zu vier PRO DJ LINK-kompatible Player über LAN-Kabel (CAT5e) mit PRO DJ LINK-Verbindungen angeschlossen werden.
- Ein Switching Hub (im Handel erhältlich) ist möglicherweise erforderlich, je nach der Kombination der verwendeten Modelle. Verwenden Sie einen Switching Hub von 100 Mbps oder höher. Manche Switching Hubs arbeiten möglicherweise nicht ordnungsgemäß.
- Ein Switching Hub (im Handel erhältlich) ist für den Anschluss eines Mixers erforderlich, der nur einen LAN-Anschluss hat. Für Mixer mit ausreichend LAN-Anschlüssen für alle DJ-Player und Computer im System stellen Sie die Verbindung direkt zu den LAN-Anschlüssen an der Rückseite des Mixers her, ohne einen Hub zu verwenden.

PRO DJ LINK (SD & USB-Export)

- rekordbox-Musikdateien und Daten können mit diesem Gerät mittels eines Speichergeräts (Flash-Speicher, Festplatte usw.) ausgetauscht werden, wodurch es unnötig wird, einen Computer in die DJ-Kabine mitzunehmen. Informationen wie Playlisten, Cues, Loops und Hot Cues, die im Voraus mit rekordbox eingestellt werden, können für die Wiedergabe verwendet werden.



Vorsichtshinweise

Zum Maximieren der Nutzung der Musikdateiverwaltungsfunktionen von rekordbox bringen Sie bitte Player-Nummer und den im Mixer eingegebenen Kanal des Audiokabels in Übereinstimmung.

Wenn die Player-Nummer anders ist, ändern Sie die [PLAYER No.]-Einstellung im Bildschirm [UTILITY].

➔ Für Anweisungen zum Ändern der Einstellungen auf dem Bildschirm [UTILITY] siehe Bedienungsanleitung dieses Produkts.

- Wenn ein Speichergerät an diesem Gerät angeschlossen ist, wird [PLAYER No.] grau dargestellt und kann nicht geändert werden. Trennen Sie das Speichergerät oder LAN-Kabel ab, um die Verbindung zu unterbrechen, und ändern Sie dann die Einstellung.

Bedienung

Einschalten der Stromversorgung

1 Stellen Sie alle Verbindungen her und stecken Sie dann den Netzstecker in eine Steckdose.

➔ *Anschlüsse (S.6)*

2 Drücken Sie den [⏻]-Schalter.

Die Anzeigen dieses Geräts leuchten auf, und es wird mit Strom versorgt.

Ausschalten der Stromversorgung

Drücken Sie den [⏻]-Schalter.

Die Stromversorgung dieses Geräts schaltet aus.

- Ziehen Sie nicht die SD-Speicherkarte heraus oder schalten die Stromversorgung dieses Geräts aus, während die SD-Speicherkartenanzeige blinkt. Dadurch können die Verwaltungsdaten dieses Geräts gelöscht und die SD-Speicherkarte beschädigt werden, wodurch diese unlesbar wird.
- Während die USB-Anzeige blinkt, dürfen Sie weder das USB-Gerät trennen noch das Gerät abschalten. Die Verwaltungsdaten im Gerät könnten gelöscht werden. Zudem wird das USB-Gerät möglicherweise unlesbar.

Einsetzen von Discs

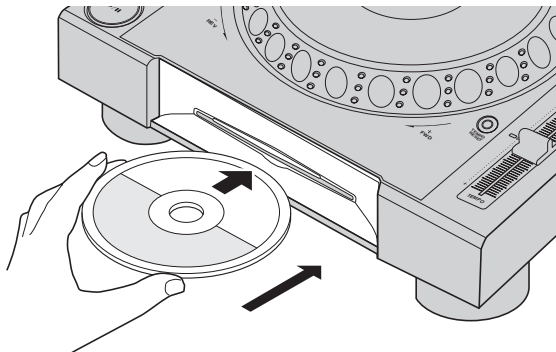
- Dieses Gerät ist ein Einzel-Disc-Player. Setzen Sie nicht mehrere Discs ein.
- Schieben Sie nicht mit Gewalt Discs in den Disc-Einsatzschacht, wenn das Gerät ausgeschaltet ist. Dadurch könnte die Disc beschädigt werden, oder es könnten Fehlfunktionen an diesem Gerät verursacht werden.
- Wenn die Disc eingezogen oder ausgeschoben wird, wenden Sie keine Gewalt auf die Disc in Gegenrichtung an. Dadurch könnte die Disc oder dieses Gerät beschädigt werden.

1 Drücken Sie den [⏻]-Schalter zum Einschalten der Stromversorgung dieser Einheit.

2 Setzen Sie die Disc waagrecht in den Disc-Einsatzschacht mit der Beschriftungsseite nach obenweisend ein.

Die Wiedergabe beginnt, nachdem die Informationen des Datenträgers gelesen sind.

- Wenn eine mit hierarchischer Struktur aufgenommene Musikdateien enthaltende Disc eingelegt wird, startet die Wiedergabe von den Tracks in der obersten Schicht.



- Wenn Auto Cue eingeschaltet ist, pausiert die Disc bei der Audio-Start-Position. In diesem Fall drücken Sie [PLAY/PAUSE▶/II], um die Wiedergabe zu starten.

➔ Einzelheiten zur Auto-Cue-Funktion siehe Bedienungsanleitung dieses Produkts.

- Wenn eine Disc eingelegt wird und ein Speichergerät (SD, USB) angeschlossen ist, das vorher bereits an diesem Gerät oder einem anderen DJ-Player von Pioneer PJ angeschlossen war, wird einige Sekunden lang die Anzahl der Discs einschließlich der Disc-Informationen auf dem Hauptgerät-Display angezeigt.

➔ Einzelheiten zum Disc-Informationsspeicher siehe Bedienungsanleitung dieses Produkts.

Einsetzen von SD-Speicherkarten

- Setzen Sie keine anderen Objekte als SD-Speicherkarten in den SD-Speicherkarte-Einsatzschacht. Wenn hier Münzen oder Metallgegenstände eingesteckt werden können die internen Schaltungen beschädigt und Fehlfunktionen verursacht werden.
- SD-Speicherkarten dürfen nicht gewaltsam eingesetzt oder herausgezogen werden. Dadurch könnte die SD-Speicherkarte oder diese Einheit beschädigt werden.

1 Drücken Sie den [⏻]-Schalter zum Einschalten der Stromversorgung dieser Einheit.

2 Öffnen Sie die SD-Speicherkartenklappe.

3 Setzen Sie die SD-Speicherkarte ein.

Setzen Sie die SD-Speicherkarte senkrecht ein, mit der Rückseite nach vorne und der Kerbe nach untenweisend. Drücken Sie die Karte langsam bis zum Anschlag ein.

4 Schließen Sie die SD-Speicherkartenklappe.

Anschließen von USB-Geräten

1 Drücken Sie den [⏻]-Schalter zum Einschalten der Stromversorgung dieser Einheit.

2 Stecken Sie das USB-Gerät im USB-Geräte-Einsatzschacht ein.

Abspielen von Datenträgern, die an diesem Gerät angeschlossen oder eingesetzt sind

1 Legen Sie den Datenträger in das Gerät.

2 Drücken Sie die entsprechende Datenträger-Taste ([DISC], [SD] oder [USB]).

Die Tracks oder Ordner werden in einer Liste angezeigt.

Der Datenträger, dessen Inhalte auf dem Haupteinheit-Display angezeigt werden, können umgeschaltet werden.

[DISC]-Taste: Zeigt die Inhalte auf der eingesetzten Disc an.

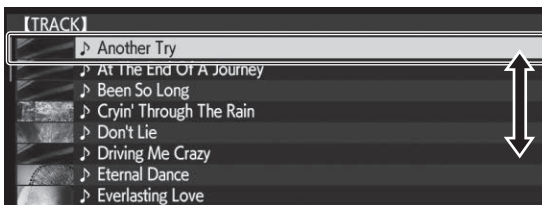
[SD]-Taste: Zeigt die Inhalte auf der eingesetzten SD-Speicherkarte an.

[USB]-Taste: Zeigt die Inhalte des angeschlossenen USB-Geräts oder mobilen Geräts an.

- Wenn das Speichergerät (SD, USB) rekordbox Bibliothek-Information enthält, wird die rekordbox-Bibliothek angezeigt.
 - ➔ Für Anweisungen zum Durchsuchen der rekordbox-Bibliothek siehe Bedienungsanleitung dieses Produkts.

3 Drehen Sie den Drehregler.

Verschieben Sie den Cursor und wählen Sie den Eintrag.



- Drücken Sie den Drehregler, zu einer niedrigeren Ebene im Ordner zu gehen. Drücken Sie die [BACK]-Taste, um zu der höheren Ebene zurückzukehren.
- Wenn die [BACK]-Taste länger als 1 Sekunde gedrückt wird oder die Datenträger-Taste für den durchsuchten Datenträger gedrückt wird, schaltet das Display auf die höchste Ebene um.

4 Wählen Sie den Track und drücken Sie den Drehregler.

Wenn der Track geladen ist, schaltet der Bildschirm auf den Normalwiedergabe-Bildschirm um.

Der Track wird geladen, die Wiedergabe beginnt und die entsprechende Datenträger-Taste blinkt.

- ➔ Für Einzelheiten zum normalen Wiedergabe-Bildschirm siehe Bedienungsanleitung dieses Produkts.

Für andere Bedienungen siehe Bedienungsanleitung dieses Produkts.

Zusätzliche Informationen

Störungssuche

- Bedienungsfehler werden oft irrtümlich für Störungen oder Ausfälle gehalten. Wenn Sie den Eindruck haben, dass diese Komponente nicht ordnungsgemäß funktioniert, überprüfen Sie bitte die Punkte unten und **[FAQ]** für **[CDJ-2000NXS2]** auf der Pioneer DJ-Support-Website. <http://pioneerdj.com/support/>
Manchmal wird das Problem auch durch ein externes Gerät verursacht. Überprüfen Sie die anderen verwendeten Komponenten und elektrischen Geräte. Wenn Sie das Problem nicht beheben können, wenden Sie sich an die nächste Pioneer-Kundendienststelle oder an Ihren Händler zum Ausführen der Reparaturarbeit.
- Dieses Gerät kann möglicherweise aufgrund von statischer Elektrizität oder anderen externen Faktoren nicht richtig arbeiten. In diesem Fall kann richtiger Betrieb durch Ausschalten, mindestens 1 Minute Warten und dann erneutes Einschalten wieder hergestellt werden.

Problem	Prüfen	Abhilfe
Disc kann nicht ausgeworfen werden.	Ist [EJECT/LOAD LOCK] auf [LOCK] gestellt?	Drücken Sie die Taste [PLAY/PAUSE▶/II] , um auf Pause zu schalten, und drücken Sie dann die Taste [DISC EJECT▲] . Stellen Sie [EJECT/LOAD LOCK] bei [UTILITY] auf [UNLOCK] und drücken Sie dann die [DISC EJECT▲] -Taste.
—	—	Wenn die [DISC EJECT▲] -Taste nicht arbeitet, stecken Sie den Stift in das Disc-Ausschubloch und schieben Sie die Disc aus.
Die Wiedergabe startet nicht, wenn eine Disc eingelegt ist.	Ist die Disc oder Datei abspielbar? Ist die Funktion Auto Cue aktiviert?	Siehe <i>Geeignete Datenträger</i> auf Seite 5. Drücken Sie [AUTO CUE] für mindestens 1 Sekunde, um die Funktion Auto Cue abzubrechen.
Datei kann nicht abgespielt werden.	Ist die Datei urheberrechtlich geschützt (durch DRM)?	Urheberrechtlich geschützte Dateien können nicht abgespielt werden.
Es wird kein Ton produziert, oder der Ton ist verzerrt oder laut.	Bedienen Sie den angeschlossenen DJ-Mixer richtig? Befindet sich der dieses Gerät in der Nähe eines Fernsehers?	Überprüfen Sie die Funktion des DJ-Mixers. Schalten Sie den Fernseher aus oder stellen Sie dieses Gerät und den Fernseher weiter voneinander entfernt auf.
Lauter Lärm wird produziert, oder die Wiedergabe stoppt, wenn eine bestimmte Disc gespielt wird.	Ist die Disc zerkratzt? Ist die Disc verschmutzt?	Eine zerkratzte Disc lässt sich möglicherweise nicht abspielen. Wischen Sie die Disc sauber.
Datei-Information wird nicht richtig angezeigt.	Ist [LANGUAGE] richtig eingestellt? Sind die Informationen in einer nicht von diesem Gerät unterstützten Sprache aufgezeichnet?	Stellen Sie [LANGUAGE] auf die richtige Sprache ein. Bei der Erstellung von Dateien mit DJ-Software usw. zeichnen Sie die Informationen in einer Sprache auf, die von diesem Gerät unterstützt wird.
Track-Suche dauert zu lange.	Ist die Funktion Auto Cue aktiviert? —	Track-Suche kann einige Zeit dauern, wenn es zu lange stille Abschnitte zwischen den Tracks gibt. Wenn Track-Suche innerhalb von 10 Sekunden nicht möglich ist, ist ein Cue-Punkt am Anfang des Tracks gesetzt.
Back-Cue-Funktion funktioniert nicht.	Ist ein Cue-Punkt gesetzt?	Setzen Sie einen Cue-Punkt.
Loop Play-Funktion funktioniert nicht.	Ist ein Cue-Punkt gesetzt?	Setzen Sie einen Cue-Punkt.
Einstellungen werden nicht gespeichert.	Wurde die Stromversorgung sofort nach dem Ändern der Einstellung ausgeschaltet?	Warten Sie nach dem Ändern der Einstellungen mindestens 10 Sekunden, bevor Sie das Gerät ausschalten.
USB-Speichergerät wird nicht erkannt.	Ist das USB-Gerät richtig angeschlossen? Ist das USB-Gerät richtig über einen USB-Hub angeschlossen? Wird das USB-Gerät von dieser Einheit unterstützt?	Schließen Sie das Gerät sicher (vollständig) an. USB-Hubs können nicht verwendet werden. Dieser Spieler unterstützt USB-Massenspeichergeräte. Dieser Player unterstützt mobile Geräte, auf denen rekordbox (iOS/Android) installiert ist.
—	Wird das Dateiformat von dieser Einheit unterstützt?	Überprüfen Sie das Dateiformat des angeschlossenen USB-Geräts. Für von dieser Einheit unterstützte Dateiformate siehe <i>Über USB-Geräte</i> auf Seite 5.
—	—	Schalten Sie die Einheit aus und wieder ein.
Cue- oder Loop-Punkte sind nicht auf Speichergeräten (SD, USB) gespeichert.	Versuchen Sie, mehr Punkte als zulässig zu speichern? Ist das Speichergerät (SD, USB) schreibgeschützt? Ist genug freier Platz auf dem Speichergerät (SD, USB) vorhanden?	Die maximale Anzahl von Cue- oder Loop-Punkte, die auf Speichergeräten (SD, USB) gespeichert werden können, beträgt 100 pro Disc. Für andere Geräte als Discs ist der Maximalwert 10 Punkte pro Track. Wenn Sie versuchen, mehr Punkte als zulässig zu speichern, wird [CUE/LOOPPOINT FULL] angezeigt, und die Punkte können nicht gespeichert werden. Löschen Sie in diesem Fall einige Punkte, bevor Sie neue speichern. Wenn eine SD-Speicherkarte schreibgeschützt ist, wird [CARD PROTECTED] angezeigt und die Punkte können nicht aufgenommen werden. Wenn ein USB-Gerät schreibgeschützt ist, wird [USB FULL] angezeigt und die Punkte können nicht gespeichert werden. Deaktivieren Sie den Schreibschutz, um die Punkte zu speichern. Wenn nicht genug freier Platz auf einer SD-Speicherkarte vorhanden ist, wird [CARD FULL] angezeigt und die Punkte können nicht gespeichert werden. Wenn nicht genug freier Platz auf einem USB-Gerät vorhanden ist, wird [USB FULL] angezeigt und die Punkte können nicht gespeichert werden. Schaffen Sie freien Platz, um die Punkte zu speichern.

Problem	Prüfen	Abhilfe
Cue-Punkte oder Loop-Punkte von auf auf Speichergeräten (SD, USB) gespeicherten Tracks werden nicht angezeigt.	Wurde das USB-Gerät richtig gestoppt, bevor es zum letzten Mal abgetrennt wurde?	Punkte können u.U. nicht angezeigt werden, wenn die SD-Speicherkarte / das USB-Gerät entfernt wurde, ohne richtig gestoppt zu werden oder während die Stromversorgung des ausgeschaltet ist. Prüfen Sie, ob die SD-Speicherkarte oder USB-Anzeige vollständig erloschen ist, bevor Sie Speichergeräte (SD, USB) abtrennen oder die Stromversorgung dieses Geräts ausschalten.
Wenn Tasten gedrückt werden, um den Hot Cue Speichermodus aufzuführen oder Re-loop auszuführen oder wenn der Hebel auf Reverse-Wiedergabe gestellt wird, beginnt der Vorgang nicht sofort.	Ist die Quantisierungsfunktion eingeschaltet?	Wenn die Quantisierungsfunktion eingeschaltet ist, startet der Vorgang von der nächsten Beat-Position, von wo Tasten gedrückt wurden oder der Hebel bewegt wird. Zum sofortigen Starten des Betriebs bei Tastendruck oder Hebelbewegung schalten Sie die Quantisierungsfunktion aus.
Die Wiedergabe-Adresse wird nicht im Restzeit-Modus angezeigt.	—	Bei der Wiedergabe von im VBR aufgezeichneten Dateien kann es vorkommen, dass das Set nicht die Länge des Tracks erkennen kann dass einige Zeit für die Anzeige der Wiedergabe-Anzeige benötigt wird.
Das Lesen von Speichergeräten (SD, USB) (Flash-Speicher-Geräten oder Festplatten) erfordert einige Zeit.	Gibt es eine große Anzahl von Ordnern oder Dateien auf dem Speichergerät (SD, USB)?	Wenn es viele Ordner oder Dateien gibt, kann einige Zeit für das Laden erforderlich sein.
	Sind andere Dateien als Musikdateien auf dem Speichergerät (SD, USB) gespeichert?	Wenn andere Dateien als Musikdateien in Ordnern gespeichert sind, ist ebenfalls einige Zeit erforderlich, um sie zu lesen. Speichern Sie keine anderen Dateien oder Ordner als Musikdateien auf dem USB-Gerät.
Bibliothek-Durchsuchen ist nicht möglich.	Ist ein Datenträger, auf dem Bibliothek-Informationen aufgezeichnet sind, eingesetzt?	Der Bibliothek-Durchsuchen-Modus wird nur eingestellt, wenn Datenträger eingesetzt sind, auf denen Bibliothek-Informationen aufgezeichnet sind. Wenn ein Datenträger eingesetzt wird, für den keine Bibliothek-Informationen aufgezeichnet sind, wird der Ordner-Durchsuchen-Modus eingestellt.
[HISTORY] wird nicht angezeigt.	Ist das Speichergerät (SD, USB) angeschlossen?	Die [HISTORY]-Funktion kann nur auf dem DJ-Player verwendet werden, an dem das Speichergerät (SD, USB) angeschlossen ist.
Nichts wird angezeigt.	Ist die Funktion Auto-Standby aktiviert?	Dieses Gerät ist werkseitig auf aktivierte Auto-Standby-Funktion eingestellt. Wenn Sie die Auto-Standby-Funktion nicht verwenden wollen, stellen Sie [AUTO STANDBY] auf [OFF].
Die Skala wird nicht angezeigt.	Ist der Track von über 15 Minuten lang?	Die Skala wird nicht für Tracks angezeigt, deren Spielzeit länger als 15 Minuten ist.
PRO DJ LINK funktioniert nicht gut.	Sind die Player-Nummern richtig eingestellt?	Setzen Sie [PLAYER No.] auf [AUTO] oder auf eine andere als die momentan eingestellte Zahl.
	Ist das LAN-Kabel richtig angeschlossen?	Schließen Sie das LAN-Kabel richtig an die Buchse [LINK] an.
	Ist die Stromversorgung des Switching Hub eingeschaltet?	Schalten Sie die Stromversorgung des Switching Hub ein.
	Ist ein unnötiges Gerät am Switching Hub angeschlossen?	Trennen Sie das unnötige Gerät vom Switching Hub ab.
Bei Berührung des Bildschirms erfolgt keine Reaktion oder die Reaktionsfähigkeit ist schlecht. Die Position weicht von der tatsächlich berührten Stelle am Bildschirm ab.	Kalibrierungsanpassung des Touchscreens weicht ab.	Stellen Sie den Touchscreen mit den Einstellungen [TOUCH DISPLAY CALIBRATION] am [UTILITY]-Bildschirm ein.

Fehlermeldungen

Wenn dieses Gerät nicht ordnungsgemäß betrieben werden kann, wird auf dem Display ein Fehlercode angezeigt. Informieren Sie sich in der nachfolgenden Tabelle über die zu ergreifenden Maßnahmen. Wenn ein Fehlercode angezeigt wird, der in der nachfolgenden Tabelle nicht aufgeführt ist, oder wenn derselbe Fehlercode nach Ergreifen der angegebenen Maßnahme weiterhin angezeigt wird, wenden Sie sich an das Fachgeschäft, in dem das Produkt gekauft wurde.

Fehlercode	Fehlertyp	Beschreibung des Fehlers	Ursache und Abhilfe
E-7201	CANNOT READ DISC	TOC-Daten können nicht gelesen werden.	<ul style="list-style-type: none"> Disc hat Risse. → Ersetzen Sie die Disc. Disc ist verschmutzt. → Reinigen Sie die Disc. Wenn der Betrieb bei anderen Discs normal ist, liegt das Problem an der Disc.
E-8301	CANNOT READ DISC	Eine Disc, die nicht normal abgespielt werden kann, ist eingesetzt.	<ul style="list-style-type: none"> Die Track-Daten (Dateien) auf der Disc oder dem Speichergerät (SD, USB) können nicht richtig gelesen werden.
E-8302	CANNOT PLAY TRACK(****)	Track-Daten (Dateien) auf der Disc oder dem Speichergerät (SD, USB) können nicht richtig gelesen werden.	<ul style="list-style-type: none"> Die Track-Daten (Datei) können korrupt sein. → Prüfen Sie, ob der Track (die Datei) auf einem anderen Player usw., der das gleiche Format wie dieses Gerät abspielen kann, abgespielt werden kann.
E-8304 E-8305	UNSUPPORTED FILE FORMAT	Musikdateien, die nicht normal abgespielt werden können, sind geladen.	Das Format ist falsch. → Durch Musikdateien im richtigen Format ersetzen.
E-9101	MECHANICAL TIMEOUT	Mechanischer Fehler (Time-out) beim Laden und Auswerfen der Disc.	Wird angezeigt, wenn mechanischer Betrieb nicht innerhalb der angegebenen Zeit ausgeführt wird.

Touchscreen reinigen

Verwenden Sie keine organischen Lösungsmittel, Säuren oder Basen zur Reinigung der Oberfläche des Touchscreens. Wischen Sie sie mit einem trockenen, weichen oder einem mit neutralem Reinigungsmittel angefeuchteten und gründlich ausgewaschenen Tuch ab.

Über Markenzeichen und eingetragene Markenzeichen

- Pioneer DJ ist ein Markenzeichen der PIONEER CORPORATION und wird unter Lizenz verwendet. rekordbox und KUVO sind Markenzeichen oder eingetragene Markenzeichen der Pioneer DJ Corporation.
- Windows ist ein eingetragenes Markenzeichen der Microsoft Corporation in den USA und anderen Ländern.
- Adobe und Reader sind eingetragene Markenzeichen oder Markenzeichen von Adobe Systems Incorporated in den USA und/oder anderen Ländern.
- ASIO ist ein Markenzeichen von Steinberg Media Technologies GmbH.
- Das SD-Logo ist ein Warenzeichen von SD-3C, LLC.



- Das SDHC-Logo ist ein Warenzeichen von SD-3C, LLC.



- **DVD** ist ein Warenzeichen der DVD Format/ Logo Licensing Corporation.
- Die Kennzeichnungen „Made for iPod“, „Made for iPhone“ und „Made for iPad“ bedeuten, dass ein elektronisches Zubehörteil spezifisch zum Anschluss an iPod, iPhone oder iPad konstruiert wurde und entsprechend vom Entwickler als die Leistungsstandards von Apple erfüllend zertifiziert wurde. Apple übernimmt keine Verantwortung für die richtige Funktion dieses Geräts oder seine Erfüllung von Sicherheits- oder anderen Vorschriften. Bitte beachten Sie, dass der Gebrauch dieses Zubehörteils in Verbindung mit einem iPod, iPhone oder iPad die drahtlose Leistung beeinträchtigen kann.

Made for



- Apple, iPad, iPhone, iPod, iPod touch, iTunes, Mac, Mac OS und OS X sind Marken von Apple Inc., die in den USA und anderen Ländern eingetragen sind.
- iOS ist eine Marke, für die Cisco das Markenrechte in den USA und bestimmten anderen Ländern hält.
- Android™ ist eine Marke der Google Inc.
- Wi-Fi ist eine eingetragene Marke der Wi-Fi Alliance.
- Die hier erwähnten Produkt- oder Firmennamen sind Marken oder eingetragene Marken der jeweiligen Eigentümer.

- This software is based in part on the work of the Independent JPEG Group.
Die Software in dieser Einheit verwendet teilweise Software der Independent JPEG Group.

Über Verwendung von MP3-Dateien

Dieses Produkt wurde für Nonprofit-Verwendung lizenziert. Dieses Produkt ist nicht zu den Handelszwecken (für Gewinn bringenden Gebrauch), wie Sendung (terrestrisch, Satelliten-, Kabel oder andere Arten von Sendungen), streaming im Internet, Intranet (ein privates Kommunikationsnetz) oder anderen Typen von Netzwerken oder zum Vertrieb elektronischer Information (online digitale Musikvertriebsdienste) lizenziert worden. Für derartige Verwendungszwecke müssen sie die entsprechenden Lizenzen erhalten. Für Einzelheiten besuchen Sie <http://www.mp3licensing.com>.

Apple Lossless Audio Codec

Copyright © 2011 Apple Inc. All rights reserved.
Licensed under the Apache License, Version 2.0. You may obtain a copy of the License at <http://www.apache.org/licenses/LICENSE-2.0>

Übersetzungen für die Softwarelizenz werden auf der unten genannten Website bereitgestellt. Diese Übersetzungen sind keine amtlichen Dokumente.

Im Zweifelsfall gilt das auf Englisch verfasste Original.

Copyright © 2011 Apple Inc. All rights reserved.

Lizenziert unter der Apache-Lizenz, Version 2.0. Sie können eine Kopie der Lizenz erhalten unter <http://www.apache.org/licenses/LICENSE-2.0>

FLAC

FLAC Decoder

Copyright © 2000-2009 Josh Coalson

Copyright © 2011-2014 Xiph.Org Foundation

Redistribution and use in source and binary forms, with or without modification, are permitted provided that the following conditions are met:

- Redistributions of source code must retain the above copyright notice, this list of conditions and the following disclaimer.
- Redistributions in binary form must reproduce the above copyright notice, this list of conditions and the following disclaimer in the documentation and/or other materials provided with the distribution.
- Neither the name of the Xiph.org Foundation nor the names of its contributors may be used to endorse or promote products derived from this software without specific prior written permission.

THIS SOFTWARE IS PROVIDED BY THE COPYRIGHT HOLDERS AND CONTRIBUTORS "AS IS" AND ANY EXPRESS OR IMPLIED WARRANTIES, INCLUDING, BUT NOT LIMITED TO, THE IMPLIED WARRANTIES OF MERCHANTABILITY AND FITNESS FOR A PARTICULAR PURPOSE ARE DISCLAIMED. IN NO EVENT SHALL THE FOUNDATION OR CONTRIBUTORS BE LIABLE FOR ANY DIRECT, INDIRECT, INCIDENTAL, SPECIAL, EXEMPLARY, OR CONSEQUENTIAL DAMAGES (INCLUDING, BUT NOT LIMITED TO, PROCUREMENT OF SUBSTITUTE GOODS OR SERVICES; LOSS OF USE, DATA, OR PROFITS; OR BUSINESS INTERRUPTION) HOWEVER CAUSED AND ON ANY THEORY OF LIABILITY, WHETHER IN CONTRACT, STRICT LIABILITY, OR TORT (INCLUDING NEGLIGENCE OR OTHERWISE) ARISING IN ANY WAY OUT OF THE USE OF THIS SOFTWARE, EVEN IF ADVISED OF THE POSSIBILITY OF SUCH DAMAGE.

Hinweise zum Urheberrechte

rekordbox beschränkt die Wiedergabe und Vervielfältigung von urheberrechtlich geschützten Musik-Inhalten.

- Wenn codierte Daten, usw. zum Schutz der Urheberrechte in Musik-Inhalten eingebettet sind, kann es unmöglich sein, das Programm normal auszuführen.
- Wenn rekordbox erkennt, dass codierte Daten usw., für den Schutz der Urheberrechte in Musik-Inhalten eingebettet ist, kann der ablaufende Vorgang (Wiedergabe, Lesen, usw.) stoppen.

Aufnahmen, die Sie vornehmen, sind für persönlichen Genuss gedacht und dürfen nach dem Urheberrecht nicht ohne Zustimmung des Urheberrechtshabers anderweitig verwendet werden.

- Musik, die von CDs, usw. aufgenommen wurde, ist durch die Urheberrechtsgesetze der einzelnen Länder sowie durch internationale Abkommen geschützt. Es liegt in der vollen Verantwortung der Person, die die Musik aufgenommen hat, sicherzustellen, dass die Aufnahmen nicht gesetzwidrig verwendet werden.
- Beim Umgang mit Musik, die aus dem Internet heruntergeladen wurde usw., liegt es in der vollen Verantwortung der Person, die den Musik-Download ausgeführt hat, sicherzustellen, dass die aufgenommenen Inhalte entsprechend den Vorschriften auf der Download-Site verwendet werden.

Technische Daten

Stromanforderungen 110 V bis 240 V Wechselspannung, 50 Hz/60 Hz
Leistungsaufnahme 41 W
Leistungsaufnahme (Standby) 0,4 W
Gewicht des Hauptgeräts 5,7 kg
Max. Abmessungen 320 mm (B) × 113,2 mm (H) × 414,4 mm (T)
Betriebstemperatur +5 °C bis +35 °C
Betriebluftfeuchtigkeit 5 % bis 85 % (keine Kondensation)

Analoger Audioausgang (AUDIO OUT L/R)

Ausgangsbuchse Cinch-Buchse
Ausgangspegel 2,0 Veff (1 kHz)
Frequenzgang 4 Hz bis 40 kHz
Signalrauschabstand 115 dB
Gesamtklirrfaktor 0,0018 %

Digitaler Audioausgang (DIGITAL OUT)

Ausgangsbuchse Cinch-Buchse
Ausgangstyp Koaxial-Digital (S/PDIF)
Ausgangspegel 0,5 Vs-s (75 Ω)
Ausgabeformat 44,1 kHz/96 kHz, 24 Bit/16 Bit

USB Downstream-Bereich (USB)

Port Typ A
Stromversorgung 5 V/2,1 A oder weniger

USB-Upstream-Bereich (USB)

Port Typ B

LAN (PRO DJ LINK)

Bewertung 100Base-TX

SD-Speicherkartenabschnitt

Dateisystem Konform mit „SD-Spezifikationen Teil 2
Dateisystem-Spezifikation Version 2.00“
Max. Speicherkapazität 32 GB

Haupt-Display

Displaytyp Active Matrix TFT-Flüssigkristalldisplay (LCD)
Unterstützte Karten 18 Sprachen

— Änderungen der technischen Daten und das Design dieses
Geräts ohne vorherige Ankündigung bleiben vorbehalten.

- © 2015 Pioneer DJ Corporation. Alle Rechte vorbehalten.



Se si vuole eliminare questo prodotto, non gettarlo insieme ai rifiuti domestici. Esiste un sistema di raccolta differenziata in conformità alle leggi che richiedono appositi trattamenti, recupero e riciclo.

I privati cittadini dei paesi membri dell'UE, di Svizzera e Norvegia, possono restituire senza alcun costo i loro prodotti elettronici usati ad appositi servizi di raccolta o a un rivenditore (se si desidera acquistarne uno simile).

Per i paesi non citati qui sopra, si prega di prendere contatto con le autorità locali per il corretto metodo di smaltimento.

In questo modo, si è sicuri che il proprio prodotto eliminato subirà il trattamento, il recupero e il riciclo necessari per prevenire gli effetti potenzialmente negativi sull'ambiente e sulla vita dell'uomo.

K058b_A1_It

ATTENZIONE

PER EVITARE IL RISCHIO DI SCOSSE ELETTRICHE, NON RIMUOVERE IL COPERCHIO (O IL RETRO). NON CI SONO PARTI INTERNE LA CUI MANUTENZIONE POSSA ESSERE EFFETTUATA DALL'UTENTE. IN CASO DI NECESSITÀ, RIVOLGERSI ESCLUSIVAMENTE A PERSONALE DI SERVIZIO QUALIFICATO.

D3-4-2-1-1_B2_It

ATTENZIONE

Questo apparecchio non è impermeabile. Per prevenire pericoli di incendi o folgorazioni, non posizionare nelle vicinanze di questo apparecchio contenitori pieni di liquidi (quali vasi da fiori, o simili), e non esporre l'apparecchio a sgocciolii, schizzi, pioggia o umidità.

D3-4-2-1-3_A1_It

ATTENZIONE

Questo apparecchio è dotato di una spina con messa a terra, cioè di una spina con un terzo spinotto (per la messa a terra). Questo tipo di spine si inserisce solamente in prese di corrente dello stesso tipo, cioè con attacco per messa a terra. Se non si riesce ad inserire la spina nella presa di corrente di casa, rivolgersi ad un elettricista qualificato per far sostituire la presa alla parete con una dotata di attacco per la messa a terra. Non annullare la scopo di sicurezza della spina con messa a terra.

D3-4-2-1-6_A1_It

ATTENZIONE

Per evitare il pericolo di incendi, non posizionare sull'apparecchio dispositivi con fiamme vive (ad esempio una candela accesa, o simili).

D3-4-2-1-7a_A1_It

AVVERTENZA PER LA VENTILAZIONE

Installare l'apparecchio avendo cura di lasciare un certo spazio all'intorno dello stesso per consentire una adeguata circolazione dell'aria e migliorare la dispersione del calore (almeno 5 cm sul retro, e 5 cm su ciascuno dei lati).

ATTENZIONE

L'apparecchio è dotato di un certo numero di fessure e di aperture per la ventilazione, allo scopo di garantirne un funzionamento affidabile, e per proteggerlo dal surriscaldamento. Per prevenire possibili pericoli di incendi le aperture non devono mai venire bloccate o coperte con oggetti vari (quali giornali, tovaglie, tende o tendaggi, ecc.), e l'apparecchio non deve essere utilizzato appoggiandolo su tappeti spessi o sul letto.

D3-4-2-1-7b*_A1_It


Condizioni ambientali di funzionamento

Gamma ideale della temperatura ed umidità dell'ambiente di funzionamento:
da +5 °C a +35 °C, umidità relativa inferiore all'85 % (fessure di ventilazione non bloccate)

Non installare l'apparecchio in luoghi poco ventilati, o in luoghi esposti ad alte umidità o alla diretta luce del sole (o a sorgenti di luce artificiale molto forti).

D3-4-2-1-7c*_A1_It

AVVERTENZA

L'interruttore principale () dell'apparecchio non stacca completamente il flusso di corrente elettrica dalla presa di corrente alternata di rete. Dal momento che il cavo di alimentazione costituisce l'unico dispositivo di distacco dell'apparecchio dalla sorgente di alimentazione, il cavo stesso deve essere staccato dalla presa di corrente alternata di rete per sospendere completamente qualsiasi flusso di corrente. Verificare quindi che l'apparecchio sia stato installato in modo da poter procedere con facilità al distacco del cavo di alimentazione dalla presa di corrente, in caso di necessità. Per prevenire pericoli di incendi, inoltre, il cavo di alimentazione deve essere staccato dalla presa di corrente alternata di rete se si pensa di non utilizzare l'apparecchio per periodi di tempo relativamente lunghi (ad esempio, durante una vacanza).

D3-4-2-2-2a*_A1_It

Prima di usare il prodotto, controllare le norme sulla sicurezza stampate sul suo fondo.

D3-4-2-2-4_B1_It

AVVERTIMENTO RIGUARDANTE IL FILO DI ALIMENTAZIONE

Prendete sempre il filo di alimentazione per la spina. Non tiratelo mai agendo per il filo stesso e non toccate mai il filo con le mani bagnate, perché questo potrebbe causare cortocircuiti o scosse elettriche. Non collocate l'unità, oppure dei mobili sopra il filo di alimentazione e controllate che lo stesso non sia premuto. Non annodate mai il filo di alimentazione né collegatelo con altri fili. I fili di alimentazione devono essere collocati in tal modo che non saranno calpestati. Un filo di alimentazione danneggiato potrebbe causare incendi o scosse elettriche. Controllate il filo di alimentazione regolarmente. Quando localizzate un eventuale danno, rivolgetevi al più vicino centro assistenza oppure al vostro rivenditore per la sostituzione del filo di alimentazione.

S002*_A1_It

ATTENZIONE

Conservare i piccoli ricambi fuori dalla portata dei bambini e dei beb . Se inghiottiti accidentalmente, recarsi immediatamente dal medico.

D41-6-4_A1_It

Questo prodotto soddisfa le normative sul rumore elettromagnetico quando   collegato ad altri componenti attraverso cavi e connettori schermati. Usare solo i cavi di collegamento allegati come accessori.

D44-8-2_A1_It

AVVERTENZA

Questo apparecchio   un prodotto al laser di Classe 1 secondo le norme di sicurezza dei prodotti al laser IEC 60825-1:2007.

PRODOTTO LASER DI CLASSE 1

D58-5-2-2a_A1_It

Condensa

In inverno, all'interno dell'unit  (sulle parti in funzione e sulle lenti) si potrebbero formare delle goccioline di acqua (condensa), ad esempio, se l'unit  viene spostata da un luogo freddo ad una stanza calda oppure se la temperatura della stanza in cui l'unit    installata sale improvvisamente (col riscaldamento, ecc.). Con della condensa all'interno, l'unit  non sar  in grado di funzionare in modo appropriato e la riproduzione risulter  impossibile. Lasciare l'unit  a riposo da 1 a 2 ore a temperatura ambiente (per quanto questo tempo dipenda dalle condizioni di condensa) senza attivare l'alimentazione. Le goccioline d'acqua evaporeranno e la riproduzione sull'unit  diverr  nuovamente possibile. La condensa pu  formarsi anche in estate se l'unit  viene esposta direttamente al flusso d'aria di un condizionatore, ecc. Se ci  dovesse accadere, spostare l'unit  in una posizione diversa.

S005b_A1_It

Prima di iniziare

Come leggere questo manuale

Vi ringraziamo per avere acquistato questo prodotto Pioneer DJ. Non mancare di leggere sia questo volantino, sia le istruzioni per l'uso! I due documenti includono informazioni importanti che devono venire comprese prima di usare questo prodotto.

Dopo aver letto queste istruzioni, riporle in un luogo sicuro per poterle consultare di nuovo al momento del bisogno.

- Per sapere come ottenere le istruzioni per l'uso, vedere *Come procurarsi le "Istruzioni per l'uso" di questa unità* (p. 4).

Caratteristiche

Questa unità è un multilettore per DJ professionali che offre la varietà delle funzioni, la lunga durata e la funzionalità necessarie per il lavoro in discoteche e nightclub. Si possono eseguire facilmente vere e proprie performance DJ usando brani non solo da dispositivi USB e computer, ma anche da dispositivi mobili (smartphone, ecc.). Non solo è dotato di una vasta gamma di caratteristiche per performance DJ, incluso PRO DJ LINK e le funzioni WAVE e BEAT SYNC, ma offre anche audio di alta qualità, un design di grande affidabilità ed un layout del pannello che fornisce grande facilità d'uso, supportando ogni tipo di performance DJ.

Come procurarsi le "Istruzioni per l'uso" di questa unità

Varie istruzioni per l'uso sono a volte messe a disposizione in file di formato PDF. La visione di file PDF richiede Adobe® Reader®.

1 Lanciare il web browser del proprio computer e raggiungere il sito di supporto DJ di Pioneer che segue.

<http://pioneerdj.com/support/>

2 Nel sito di supporto DJ Pioneer, fare clic su [Manuals] in [CDJ-2000NXS2].

3 Nella pagina di download, fare clic sulla lingua desiderata.

Il download delle istruzioni per l'uso inizia.

Contenuto della confezione

- Cavo di alimentazione
- Cavo audio
- Cavo LAN
- Perno di espulsione forzata del disco (installato sul fondo del prodotto)
- Istruzioni per l'uso (Guida di avvio veloce) (questo documento)
- Documento di garanzia

Preparazione del software

Il software di gestione della musica rekordbox e del driver non sono inclusi.

Per utilizzare rekordbox e il software del driver, accedere al sito rekordbox e al sito di assistenza Pioneer DJ e scaricare il software.

In queste istruzioni per l'uso, la versione di rekordbox per Mac/Windows viene indicata come "rekordbox (Mac/Windows)". "rekordbox" viene utilizzato per indicare la versione di rekordbox (Mac/Windows) e rekordbox (iOS/Android) contemporaneamente, ed anche per riferirsi direttamente alle funzioni di rekordbox.

- L'utente deve eseguire da sé l'impostazione del computer, dei dispositivi di rete e di altri elementi dell'ambiente di uso di Internet richiesti dal collegamento alla rete.

Informazioni su rekordbox

rekordbox è un software composito che consente la gestione delle tracce e le prestazioni DJ.

Si possono ottenere eccellenti performance DJ utilizzando i file musicali gestiti da rekordbox insieme a questa unità.

❖ Acquisizione di rekordbox (Mac/Windows)

1 Aprire il browser sul computer e accedere al sito rekordbox.

<http://rekordbox.com/>

2 Fare clic su [Download] nel sito rekordbox e scaricare rekordbox dalla pagina di download.

- Per domande riguardanti rekordbox (Mac/Windows), consultare il sito di supporto tecnico indicato qui sopra.

❖ Informazioni su rekordbox (iOS/Android)

I brani gestiti con rekordbox possono essere riprodotti collegando il dispositivo mobile che contiene rekordbox (iOS/Android) via USB. Per quanto riguarda i dispositivi compatibili, vedere il sito Web di Pioneer DJ (<http://pioneerdj.com/support/>).

- Per dettagli sull'installazione di rekordbox (iOS/Android), vedere il sito Web di Pioneer (<http://rekordbox.com/>).

Informazioni sul driver

❖ Driver audio (Windows)

- Questo software è un esclusivo driver ASIO per la produzione di segnali audio da parte del computer.
- Non è necessario installare un driver se si usa Mac OS X.

❖ Driver di connessione USB (LINK Export) per rekordbox (Mac/Windows)

- Questo software è un driver dedicato per collegare questa unità e rekordbox (Mac/Windows) via USB (LINK Export).
 - Per dettagli sulla connessione USB (LINK Export), vedere le istruzioni per l'uso di questo prodotto.

❖ Come ottenere il software del driver

1 Lanciare il web browser del proprio computer e raggiungere il sito di supporto DJ di Pioneer che segue.

<http://pioneerdj.com/support/>

2 Fare clic su [Software Download] in [CDJ-2000NXS2] del sito di supporto DJ Pioneer.

3 Fare clic sull'icona del software del driver per scaricarlo dalla pagina di download.

- Per informazioni sull'installazione del software del driver, consultare il sito di assistenza Pioneer DJ.

Supporti utilizzabili

Per ulteriori dettagli, vedere il manuale di istruzioni del prodotto.

I dischi

Questa unità può riprodurre CD audio (CD-DA) e file audio registrati su CD-ROM (CD-R e CD-RW) o DVD-ROM (DVD-R, DVD-RW, DVD-R DL, DVD+R, DVD+RW e DVD+R DL).

- Non si possono riprodurre dischi da 8 cm.

Informazioni sulle schede di memoria SD

Questa unità può riprodurre file musicali registrati su schede di memoria SD conformi agli standard SD.

Schede supportate ^[1]	<ul style="list-style-type: none">• Schede di memoria SD: 8 MB – 2 GB• Schede di memoria SDHC: 4 GB – 32 GB
Formati compatibili	<ul style="list-style-type: none">• Schede di memoria SD: FAT12 e FAT16 (conformi agli standard SD)• Schede di memoria SDHC: FAT32 (conformi agli standard SD)

[1] Il CPRM non viene supportato.

Informazioni sui dispositivi USB

Questa unità può riprodurre file musicali registrati su dispositivi di memoria di massa USB (dischi fissi esterni, memorie flash portatili, ecc.).

File system supportati	FAT16, FAT32 e HFS+ (NTFS non è supportato.)
------------------------	--

I brani gestiti con rekordbox possono essere riprodotti collegando il dispositivo mobile che contiene rekordbox (iOS/Android) via USB. Per quanto riguarda i dispositivi compatibili, vedere il sito Web di Pioneer DJ (<http://pioneerdj.com/support/>). Per quanto riguarda rekordbox (iOS/Android), vedere il sito di supporto online di rekordbox (<http://rekordbox.com/>).

- Si possono salvare su dispositivo di memoria (SD, USB) informazioni come i dati di identità di un disco, cue point, loop point e hot cue.
- A seconda del dispositivo di memoria (SD, USB) usato, le prestazioni possono non essere quelle previste.
- Non si garantisce il funzionamento di tutti i dispositivi di memoria (SD, USB) con questa unità.

Collegamenti

- Prima di fare o modificare collegamenti, non mancare di spegnere l'apparecchio e di scollegare il cavo di alimentazione.
- Consultare le istruzioni per l'uso del componente da collegare.
- Collegare il cavo di alimentazione dopo che tutti i collegamenti fra dispositivi sono stati fatti.

- Se si usa un cavo LAN per i collegamenti, non mancare di fare uso del cavo LAN chiuso al prodotto o un cavo STP (shielded twisted pair).
- Non scollegare il cavo LAN quando file musicali e/o informazioni vengono condivisi usando PRO DJ LINK.

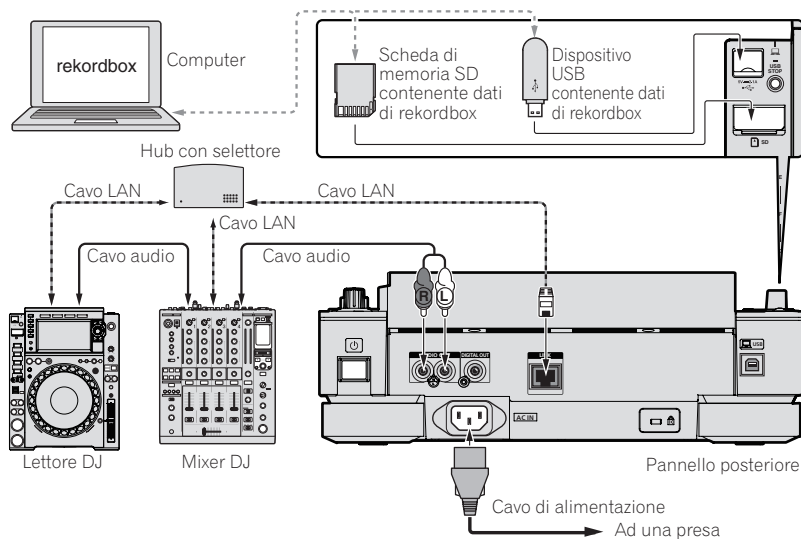
Stile di base

La riproduzione con questa unità viene fatta principalmente con brani preparati con rekordbox installato su di un computer.

- Per istruzioni dettagliate sul funzionamento di rekordbox, vedere il manuale dell'utente di rekordbox (Mac/Windows) è consultabile dal menu [Aiuto] di rekordbox.
- Inoltre, per i lettori DJ e mixer DJ, è possibile collegare fino a quattro lettori compatibili con PRO DJ LINK usando cavi LAN (CAT5e) e connessioni PRO DJ LINK.
- Con certe combinazioni di modelli, potrebbe anche essere necessario uno switching hub (da acquistarsi separatamente). Usare uno switching hub da 100 Mbps o più. Alcuni switching hub potrebbero non funzionare correttamente.
- Per collegarsi ad un mixer dotato di una sola porta LAN è necessario uno switching hub (da acquistarsi separatamente). Con mixer dotati di porte LAN sufficienti per tutti i lettori DJ e computer del sistema, collegarli direttamente alle porte LAN del retro del mixer, senza usare hub.

PRO DJ LINK (SD & USB Export)

- I file audio ed i dati di rekordbox possono venire trasferiti a questa unità con un dispositivo di memoria (memoria flash, disco fisso, ecc.) eliminando la necessità di portare il computer nella cabina DJ. È possibile fissare in anticipo le playlist, i cue, i loop e gli hot cues con rekordbox ed usarli per la riproduzione.



Attenzione

Per ottimizzare l'uso delle funzioni di gestione dei file musicali di rekordbox, far corrispondere il numero del lettore con il canale del cavo audio immesso nel mixer.

Se il numero del lettore è differente, cambiare l'impostazione [PLAYER No.] sullo schermo [UTILITY].

- Per quanto riguarda la modifica delle impostazioni con lo schermo [UTILITY], vedere le istruzioni per l'uso di questo prodotto.
- Quando un dispositivo di memorizzazione è collegato a questa unità, [PLAYER No.] viene visualizzato in grigio e non può essere modificato. Scollegare il dispositivo di memorizzazione o il cavo LAN per spegnere il collegamento, quindi modificare l'impostazione.

Impiego

Accensione

1 Fare tutti i collegamenti e collegare il cavo di collegamento ad una presa di corrente.

➔ *Collegamenti* (p.6)

2 Premere l'interruttore [⏻].

Gli indicatori di questa unità si accendono ed essa si accende.

Spegnimento

Premere l'interruttore [⏻].

Questa unità si spegne.

- Non togliete la scheda di memoria SD o spegnere questa unità mentre l'indicatore della scheda di memoria SD sta lampeggiando. Facendolo si possono danneggiare i dati di gestione di questa unità e danneggiare la scheda di memoria SD, rendendola impossibile da leggere.
- Non rimuovere il dispositivo USB e non spegnere l'unità quando l'indicatore USB lampeggia. I dati di gestione dell'unità potrebbero essere eliminati. Inoltre, il dispositivo USB potrebbe divenire illeggibile.

Caricamento di dischi

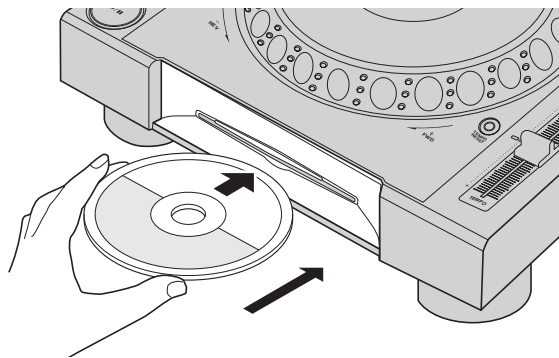
- Questa unità può contenere solo un disco. Non tentare di inserire più dischi.
- Non forzare i dischi nella fessura di inserimento quando l'alimentazione di questa unità è disattivata. Facendolo si potrebbe danneggiare il disco e causare un guasto a questa unità.
- Quando il disco è in fase di inserimento o di espulsione, non applicare al disco forza nella direzione opposta al suo movimento. Ciò potrebbe causare danni al disco o questa unità.

1 Premere l'interruttore [⏻] facendo accendere questa unità.

2 Inserire il disco orizzontalmente nella fessura di caricamento con la superficie stampata in su.

La riproduzione inizia dopo che le informazioni sul supporto sono state lette.

- Quando viene caricato un disco contenente file musicali registrati con una struttura gerarchica, la riproduzione inizia dai brani al livello più alto.



- Quando l'auto cue è acceso, il disco si porta in pausa nella posizione di inizio dell'audio. In tal caso, premere [PLAY/PAUSE/II] per iniziare la riproduzione.
➔ Per dettagli sulla funzione auto cue, vedere le istruzioni per l'uso di questo prodotto.

- Se un disco viene inserito mentre un dispositivo di memoria (SD, USB) precedentemente collegato a questa unità o a un altro lettore DJ di Pioneer DJ è collegato, il numero di dischi e le informazioni del disco appaiono per qualche secondo nel display dell'unità principale.
➔ Per ulteriori dettagli sulla memorizzazione di informazioni sui dischi, vedere il manuale di istruzioni del prodotto.

Inserimento delle schede di memoria SD

- Non inserire oggetti che non siano la scheda di memoria SD nella fessura di inserimento della scheda di memoria SD. L'inserimento di monete o oggetti metallici può danneggiare i circuiti interni causando disfunzioni.
- Non inserire o rimuovere forzatamente una scheda di memoria SD. Ciò potrebbe causare danni alla scheda di memoria SD o a questa unità.

1 Premere l'interruttore [⏻] facendo accendere questa unità.

2 Aprire lo sportello per la scheda di memoria SD.

3 Inserire la scheda di memoria SD.

Inserire la scheda di memoria SD verticalmente, col lato posteriore rivolto in avanti e la tacca rivolta in basso. Spingere lentamente la scheda di memoria fino a che si ferma.

4 Chiudere lo sportello per la scheda di memoria SD.

Collegamento di dispositivi USB

1 Premere l'interruttore [⏻] facendo accendere questa unità.

2 Inserire il dispositivo USB nella slot USB.

Riproduzione di supporti collegati o inseriti in questa unità

1 Caricare il supporto su questa unità.

2 Premere il pulsante del supporto corrispondente ([DISC], [SD] o [USB]).

I brani o cartelle vengono visualizzati in una lista.

Il supporto il cui contenuto viene visualizzato sul display dell'unità principale può venire cambiato.

Pulsante **[DISC]**: Fa visualizzare il contenuto del disco caricato.

Pulsante **[SD]**: Visualizza il contenuto della scheda di memoria SD inserita.

Pulsante **[USB]**: Visualizza il contenuto del dispositivo USB o mobile collegato.

- Se il dispositivo di memoria (SD, USB) contiene informazioni sulla libreria di rekordbox, questa viene visualizzata.
 - ➔ Per istruzioni sull'esplorazione della libreria di rekordbox, vedere le istruzioni per l'uso di questo prodotto.

3 Ruotare la manopola selettiva.

Spostare il cursore e scegliere la voce desiderata.



- Premere la manopola selettiva per passare ad un livello inferiore della cartella. Premere il pulsante **[BACK]** per tornare al livello superiore.
- Se il pulsante **[BACK]** viene premuto per oltre 1 secondo o il selettore del supporto esplorato viene premuto, il display si porta al livello più alto.

4 Scegliere il brano e premere la manopola selettiva.

Caricato il brano, la schermata di riproduzione normale compare.

Il brano viene caricato, la riproduzione inizia e il pulsante del supporto corrispondente lampeggia.

- ➔ Per dettagli sulla schermata di riproduzione normale, vedere le istruzioni per l'uso di questo prodotto.

Per quanto riguarda le altre operazioni, vedere il manuale di istruzioni del prodotto.

Informazioni aggiuntive

Diagnostica

- L'uso scorretto dell'apparecchio viene spesso scambiato per un guasto. Se si ritiene che questa unità abbia qualche guasto, controllare i punti seguenti e le **[FAQ]** del **[CDJ-2000NXS2]** sul sito di supporto DJ di Pioneer.
<http://pioneerdj.com/support/>
A volte il problema risiede in un altro componente. Controllare tutti i componenti ed apparecchi elettronici usati. Se il problema non può venire eliminato, chiedere assistenza tecnica al più vicino centro assistenza o rivenditore autorizzato Pioneer.
- Questa unità può non funzionare a causa di elettricità statica o altre influenze esterne. In questo caso, il funzionamento corretto dovrebbe tornare spegnendo questa unità, attendendo un minuto e riaccende.

Problema	Controllare	Rimedio
Non è possibile espellere il disco.	[EJECT/LOAD LOCK] è su [LOCK] ?	Premere il pulsante [PLAY/PAUSE▶/II] per impostare il modo di pausa, poi quello [DISC EJECT▲] .
	—	Portare il pulsante [EJECT/LOAD LOCK] di [UTILITY] su [UNLOCK] , poi premere [DISC EJECT▲] .
	—	Se il pulsante [DISC EJECT▲] non funziona, inserire il perno nel foro di inserimento ed espellere il disco.
Quando viene caricato un disco la riproduzione non si avvia.	Il disco o file è riproducibile? La funzione auto cue è attivata?	Vedere <i>Supporti utilizzabili</i> a pagina 5. Premere [AUTO CUE] per almeno 1 secondo per cancellare la funzione auto cue.
Il file non può venire riprodotto.	Il file è protetto dal sistema DRM (protezione dalla copia)?	I file protetti dalla copia non possono venire riprodotti.
Non viene prodotto alcun suono oppure è distorto o disturbato.	Si sta utilizzando il mixer DJ collegato in modo corretto? Questa unità si trova vicino ad un televisore?	Controllare il funzionamento del mixer DJ. Disattivare l'alimentazione del televisore oppure installare questa unità ed il televisore lontani una dall'altro.
Quando si riproduce un certo disco viene prodotto rumore ad alto volume oppure la riproduzione si interrompe.	Il disco è graffiato? Il disco è sporco?	Un disco graffiato può non essere più riproducibile. Pulire il disco.
Le informazioni sul file non vengono visualizzate.	[LANGUAGE] è impostato correttamente? Le informazioni sono registrate in una lingua non supportata da questa unità?	Impostare [LANGUAGE] sulla lingua appropriata. Quando si creano dei file usando il software DJ, ecc., registrare le informazioni in una lingua supportata da questa unità.
L'operazione di ricerca dei brani richiede troppo tempo.	La funzione auto cue è attivata? —	La ricerca di brani potrebbe richiedere un certo tempo se vi sono sezioni lunghe e silenziose tra i brani. Se la ricerca del brano non fosse possibile entro 10 secondi, all'inizio del brano viene impostato un punto cue point.
La funzione Back Cue non funziona.	E' stato impostato un cue point?	Impostare un punto cue.
La funzione di riproduzione Loop non funziona.	E' stato impostato un cue point?	Impostare un punto cue.
Le impostazioni non sono state memorizzate.	L'alimentazione è stata disattivata direttamente subito dopo il cambio delle impostazioni?	Dopo aver cambiato le impostazioni, attendere almeno 10 secondi prima di disattivare l'alimentazione.
Il dispositivo USB non viene riconosciuto.	Il dispositivo USB è correttamente collegato? Il dispositivo di memoria di massa USB è collegato attraverso un hub USB? Il dispositivo USB è supportato da questa unità? —	Inserire bene (a fondo) il dispositivo. Gli hub USB non possono essere utilizzati. Questo lettore supporta i dispositivi di memoria di massa USB. Questo lettore supporta dispositivi mobili su cui è installato rekordbox (iOS/Android). Controllare il formato di file del dispositivo USB collegato. Per i formati di file supportati da questa unità, vedere <i>Informazioni sui dispositivi USB</i> a pagina 5.
	Il formato del file è supportato da questa unità? —	Controllare il formato di file del dispositivo USB collegato. Per i formati di file supportati da questa unità, vedere <i>Informazioni sui dispositivi USB</i> a pagina 5. Spegnere e riaccendere il dispositivo.
I cue o loop point non vengono memorizzati in dispositivi di memoria (SD, USB).	Si sta tentando di memorizzare più punti del consentito? Il dispositivo di memoria (SD, USB) è protetto dalla scrittura?	Il numero massimo di punti cue o loop memorizzabili per disco in un dispositivo di memoria (SD, USB) è 100. Per dispositivi diversi dai dischi, il numero massimo è di 10 punti per brano. Se si prova a registrare più punti oltre il limite, viene visualizzato [CUE/LOOPPOINT FULL] ed i punti non possono essere registrati. In tal caso, cancellare alcuni punti per poterne memorizzare altri. Se una scheda di memoria SD fosse protetta dalla scrittura, viene visualizzato [CARD PROTECTED] ed i punti non possono essere registrati. Se un dispositivo di memoria USB è protetto dalla scrittura, viene visualizzato [USB FULL] ed i punti non possono essere registrati. Disattivare la protezione dalla scrittura prima di memorizzare i punti.
	C'è spazio a sufficienza sul dispositivo di memoria (SD, USB)?	Se una scheda di memoria SD non avesse spazio sufficiente, viene visualizzato [CARD FULL] ed i punti non vengono memorizzati. Se un dispositivo USB non avesse spazio sufficiente, viene visualizzato [USB FULL] ed i punti non vengono memorizzati. Liberare dello spazio e salvare i punti.

Problema	Controllare	Rimedio
I punti cue o loop dei brani registrati su dispositivo di memoria (SD, USB) non vengono visualizzati.	Il dispositivo USB è stato disattivato correttamente prima di venire scollegato per l'ultima volta?	I punti potrebbero non venire visualizzati se la scheda di memoria SD/dispositivo USB è stato rimosso senza eseguire la procedura di arresto appropriata oppure se l'alimentazione di questa unità è stata disattivata. Controllare che l'indicatore della scheda di memoria SD o USB sia del tutto spento prima di scollegare il dispositivo di memoria (SD, USB) o spegnere questa unità.
Se dei pulsanti vengono premuti per richiamare la modalità di memorizzazione di hot cue o reloop o se la leva viene spostata per impostare la riproduzione inversa, il funzionamento non inizia immediatamente.	La funzione di quantizzazione è attivata?	A funzione di quantizzazione attivata, il funzionamento inizia dalla posizione della battuta più vicina successiva al punto di pressione dei pulsanti o di movimento della leva. Perché il funzionamento inizi subito dopo la pressione dei pulsanti o lo spostamento della leva, spegnere la funzione di quantizzazione.
Nel modo del tempo rimanente, il display della posizione della riproduzione non viene visualizzato.	—	Quando si riproducono file registrati in VBR, potrebbe accadere che l'unità non sia in grado di rilevare immediatamente la lunghezza del brano e che sia necessario perciò del tempo prima che appaia il display della posizione della riproduzione.
La lettura di un dispositivo di memoria (SD, USB) (memorie flash o dischi fissi) richiede molto tempo.	Nel dispositivo di memoria (SD, USB) c'è un grande numero di cartelle o file registrati? Il dispositivo di memoria (SD, USB) contiene file non audio?	Quando vi sono molte cartelle o file, il caricamento potrebbe richiedere un certo tempo. Quando dei file diversi dai file musicali vengono memorizzati in cartelle, è necessario del tempo anche per la loro lettura. Non memorizzare file o cartelle che non siano file musicali nel dispositivo USB.
Non è possibile scorrere la libreria.	E' stato caricato un supporto con registrate le informazioni per la libreria?	Il modo di scorrimento della libreria viene impostato solo quando vengono caricati supporti con registrate le informazioni per la libreria. Quando viene caricato un supporto su cui non è registrata alcuna informazione per la libreria, viene impostato il modo di scorrimento delle cartelle.
[HISTORY] non viene visualizzato.	Il dispositivo di memoria (SD, USB) è collegato?	La funzione [HISTORY] è utilizzabile solo con lettori DJ cui è collegato un dispositivo di memoria (SD, USB).
Non viene visualizzato nulla.	La funzione auto standby è attivata?	Questa unità viene posta in vendita con la modalità auto standby attivata. Se non si desidera utilizzare la funzione auto standby, impostare [AUTO STANDBY] su [OFF].
La scala non viene visualizzata.	Il brano dura oltre 15 minuti?	La scala non viene visualizzata per brani lunghi oltre 15 minuti.
PRO DJ LINK non funziona bene.	I numeri dei lettori sono stati impostati in modo appropriato? Il cavo LAN è collegato correttamente? L'alimentazione dello hub con selettore è attivata? Un dispositivo non necessario è collegato allo hub con selettore?	Impostare [PLAYER No.] su [AUTO] oppure su un numero diversi dal numero correntemente impostato. Collegare il cavo LAN al terminale [LINK] in modo appropriato. Attivare l'alimentazione dello hub con selettore. Scollegare il dispositivo non necessario dallo hub con selettore.
Non vi è alcuna risposta quando di tocca lo schermo o la risposta non è buona. Risponde una posizione diversa da quella effettivamente toccata.	Viene deviata la regolazione della calibrazione del display a sfioramento.	Regolare il display a sfioramento utilizzando le impostazioni di [TOUCH DISPLAY CALIBRATION] nella schermata [UTILITY].

Messaggi di errore

Quando questa unità non può funzionare in modo normale, sul display viene visualizzato un messaggio di errore. Controllare la tabella che segue e prendere le misure indicate. Se venisse visualizzato un codice di errore non indicato in tabella oppure se lo stesso codice di errore appare dopo aver preso l'azione indicata, contattare il negozio di acquisto.

Codice di errore	Tipo di errore	Descrizione errore	Causa e azione
E-7201	CANNOT READ DISC	Non è possibile leggere i dati TOC.	<ul style="list-style-type: none"> Il disco è crepato. → Sostituire il disco. Il disco è sporco. → Pulire il disco.
E-8301	CANNOT READ DISC	E' stato caricato un disco che non può essere riprodotto normalmente.	<ul style="list-style-type: none"> Se con altri dischi il funzionamento è normale, il problema risiede nel disco.
E-8302	CANNOT PLAY TRACK(****)	Non è possibile leggere correttamente dati (file) su disco o dispositivo di memoria (SD, USB).	<ul style="list-style-type: none"> I dati del brano (file) potrebbero essere corrotti. → Verificare che il brano (file) sia riproducibile con altri lettori, ecc. capaci di riprodurre file dello stesso formato.
E-8304 E-8305	UNSUPPORTED FILE FORMAT	Sono stati caricati file musicali che non possono essere riprodotti normalmente.	Il formato è sbagliato. → Sostituire con file musicali di formato appropriato.
E-9101	MECHANICAL TIMEOUT	Errore meccanico (time out) durante il caricamento o l'espulsione del disco.	Visualizzato quando l'operazione eseguita dal meccanismo non viene completata entro il tempo specificato.

Pulizia del display a sfioramento

Non utilizzare solventi organici, acidi o alcali per la pulizia della superficie del display a sfioramento. Pulire con un panno morbido e asciutto o con un panno imbevuto di detergente neutro e strizzato adeguatamente.

A proposito dei marchi di fabbrica o marchi di fabbrica depositati

- "Pioneer DJ" è un marchio di PIONEER CORPORATION e viene riportato su licenza. rekordbox e KUVO sono marchi di fabbrica o marchi di fabbrica depositati della Pioneer DJ Corporation.
- Windows è un marchio depositato della Microsoft Corporation negli Stati Uniti ed altri paesi.
- Adobe e Reader sono marchi di fabbrica depositati o marchi di fabbrica della Adobe Systems Incorporated negli Stati Uniti e/o altri paesi.
- ASIO è un marchio di fabbrica della Steinberg Media Technologies GmbH.
- Il logo SD è un marchio di SD-3C, LLC.



- Il logo SDHC è un marchio di SD-3C, LLC.



- **DVD** è un marchio di fabbrica della DVD Format/Logo Licensing Corporation.
- "Made for iPod", "Made for iPhone" e "Made for iPad" significano che un accessorio elettronico è stato progettato specificamente rispettivamente per il collegamento con l'iPod, l'iPhone o l'iPad ed è stato certificato dal suo sviluppatore corrispondere agli standard operativi stabiliti da Apple. Apple non può essere considerata responsabile di questo dispositivo o della sua osservanza delle norme di sicurezza e dei vari regolamenti. Tenere presente che l'uso di questo accessorio con l'iPod, l'iPhone o l'iPad può peggiorare le prestazioni wireless.

Made for



iPod



iPhone



iPad

- Apple, iPad, iPhone, iPod, iPod touch, iTunes, Mac, Mac OS e OS X sono marchi di fabbrica di Apple Inc., registrati negli Stati Uniti ed in altri Paesi.
- iOS è un marchio di fabbrica detenuto dalla Cisco negli USA ed altri paesi.
- Android™ è un marchio di fabbrica della Google Inc.
- Wi-Fi è un marchio di fabbrica della Wi-Fi Alliance.
- I nomi delle aziende e dei prodotti menzionati sono marchi di fabbrica o marchi di fabbrica depositati dei rispettivi proprietari.

- This software is based in part on the work of the Independent JPEG Group.
- Il software di questa unità include software dell'Independent JPEG Group.

I file MP3

Questo prodotto è utilizzabile per fini non di lucro. Esso non è invece utilizzabile per fini commerciali (a fini di lucro) via la trasmissione (terrestre, satellitare, via cavo o di altro tipo), lo streaming su Internet, Intranet (una rete aziendale) o altri tipi di rete o distribuzione elettronica dell'informazione (servizi digitali di distribuzione di musica in linea). Tali usi richiedono licenze apposite. Per dettagli, visitare <http://www.mp3licensing.com>.

Apple Lossless Audio Codec

Copyright © 2011 Apple Inc. All rights reserved.

Licensed under the Apache License, Version 2.0. You may obtain a copy of the License at <http://www.apache.org/licenses/LICENSE-2.0>

Le traduzioni delle licenze software sono disponibili nel sito di seguito indicato. Queste traduzioni non sono documenti ufficiali.

Fare riferimento al documento originale in inglese.

Copyright © 2011 Apple Inc. All rights reserved.

Concesso in licenza ai sensi della Apache License, versione 2.0. È possibile ottenere una copia della licenza collegandosi al sito <http://www.apache.org/licenses/LICENSE-2.0>

FLAC

FLAC Decoder

Copyright © 2000-2009 Josh Coalson

Copyright © 2011-2014 Xiph.Org Foundation

Redistribution and use in source and binary forms, with or without modification, are permitted provided that the following conditions are met:

- Redistributions of source code must retain the above copyright notice, this list of conditions and the following disclaimer.
- Redistributions in binary form must reproduce the above copyright notice, this list of conditions and the following disclaimer in the documentation and/or other materials provided with the distribution.
- Neither the name of the Xiph.org Foundation nor the names of its contributors may be used to endorse or promote products derived from this software without specific prior written permission.

THIS SOFTWARE IS PROVIDED BY THE COPYRIGHT HOLDERS AND CONTRIBUTORS "AS IS" AND ANY EXPRESS OR IMPLIED WARRANTIES, INCLUDING, BUT NOT LIMITED TO, THE IMPLIED WARRANTIES OF MERCHANTABILITY AND FITNESS FOR A PARTICULAR PURPOSE ARE DISCLAIMED. IN NO EVENT SHALL THE FOUNDATION OR CONTRIBUTORS BE LIABLE FOR ANY DIRECT, INDIRECT, INCIDENTAL, SPECIAL, EXEMPLARY, OR CONSEQUENTIAL DAMAGES (INCLUDING, BUT NOT LIMITED TO, PROCUREMENT OF SUBSTITUTE GOODS OR SERVICES; LOSS OF USE, DATA, OR PROFITS; OR BUSINESS INTERRUPTION) HOWEVER CAUSED AND ON ANY THEORY OF LIABILITY, WHETHER IN CONTRACT, STRICT LIABILITY, OR TORT (INCLUDING NEGLIGENCE OR OTHERWISE) ARISING IN ANY WAY OUT OF THE USE OF THIS SOFTWARE, EVEN IF ADVISED OF THE POSSIBILITY OF SUCH DAMAGE.

Precauzioni sui copyright

rekordbox limita la riproduzione e la copia di contenuti musicali protetti da copyright.

- Quando nei contenuti musicali sono integrati dati codificati, ecc., per la protezione del copyright, il normale funzionamento del programma potrebbe non essere possibile.
- Quando rekordbox rileva che vi sono dati codificati, ecc., per la protezione del copyright integrati nei contenuti musicali, l'elaborazione (riproduzione, lettura, ecc.) potrebbe interrompersi.

Le registrazioni eseguite sono per il godimento personale e secondo le leggi sul copyright non possono essere utilizzate senza il consenso di chi detiene il copyright.

- La musica registrata da CD, ecc., è protetta da leggi sul copyright di paesi individuali e da trattati internazionali. La piena responsabilità per un utilizzo legale ricade sulla persona che ha registrato la musica.
- Quando si tratta con musica scaricata da Internet, ecc., la piena responsabilità che essa venga utilizzata secondo le modalità del contratto col sito di scaricamento ricade sulla persona che ha scaricato tale musica.

Dati tecnici

Requisiti di alimentazione..... CA da 110 V a 240 V, 50 Hz/60 Hz
Consumo di corrente..... 41 W
Consumo di corrente (in attesa) 0,4 W
Peso unità principale..... 5,7 kg
Dimensioni massime..... 320 mm (L) × 113,2 mm (A) × 414,4 mm (P)
Temperature di funzionamento tollerabili..... Da +5 °C a +35 °C
Umidità di funzionamento tollerabile Da 5 % a 85 % (senza condensa)

Uscita audio analogica (AUDIO OUT L/R)

Terminale di uscita Terminale RCA
Livello in uscita..... 2,0 Vrms (1 kHz)
Risposta in frequenza Da 4 Hz a 40 kHz
Rapporto S/R..... 115 dB
Distorsione armonica totale..... 0,0018 %

Uscita audio digitale (DIGITAL OUT)

Terminale di uscita Terminale RCA
Tipo di uscita Digitale coassiale (S/PDIF)
Livello di uscita..... 0,5 Vp-p (75 Ω)
Formato in uscita..... 44,1 kHz/96 kHz, 24 bit/16 bit

Sezione USB a valle (USB)

Porta Tipo A
Alimentazione 5 V/2,1 A o meno

Sezione USB a monte (USB)

Porta Tipo B

LAN (PRO DJ LINK)

Valutazione..... 100Base-TX

Sezione scheda di memoria SD

File system..... Conforme a "SD Specifications Part 2 File System
Specification Version 2.00"
Capacità mass. memoria 32 GB

Display principale

Tipo display..... Display a cristalli liquidi (LCD) TFT a matrice attiva
Lingue supportate..... 18 lingue

— I dati tecnici ed il design di questo prodotto sono soggetti a modifiche senza preavviso.

- © 2015 Pioneer DJ Corporation. Tutti i diritti riservati.



Deponeer dit product niet bij het gewone huishoudelijk afval wanneer u het wilt verwijderen. Er bestaat een speciaal wettelijk voorgeschreven verzamelsysteem voor de juiste behandeling, het opnieuw bruikbaar maken en de recycling van gebruikte elektronische producten.

In de lidstaten van de EU, Zwitserland en Noorwegen kunnen particulieren hun gebruikte elektronische producten gratis bij de daarvoor bestemde verzamelplaatsen of een verkooppunt (indien u aldaar een gelijkwaardig nieuw product koopt) inleveren.

Indien u zich in een ander dan bovengenoemd land bevindt kunt u contact opnemen met de plaatselijke overheid voor informatie over de juiste verwijdering van het product.

Zodoende zorgt u ervoor dat het verwijderde product op de juiste wijze wordt behandeld, opnieuw bruikbaar wordt gemaakt, gerecycleerd en het niet schadelijk is voor de gezondheid en het milieu.

K058b_A1_NI

LET OP

OM HET GEVAAR VOOR EEN ELEKTRISCHE SHOCK TE VOORKOMEN, DEKSEL (OF RUG) NIET VERWIJDEREN. AAN DE BINNENZIJDE BEVINDEN ZICH GEEN ELEMENTEN DIE DOOR DE GEBRUIKER KUNNEN BEDIEND WORDEN. ENKEL DOOR GEKVALIFICEERD PERSONEEL TE BEDIENEN.

D3-4-2-1-1_B2_NI

WAARSCHUWING

Dit apparaat is niet waterdicht. Om brand of een elektrische schok te voorkomen, mag u geen voorwerp dat vloeistof bevat in de buurt van het apparaat zetten (bijvoorbeeld een bloemenvaas) of het apparaat op andere wijze blootstellen aan waterdruppels, opspattend water, regen of vocht.

D3-4-2-1-3_A1_NI

WAARSCHUWING

Dit apparaat is uitgerust met een drie-draden (geaarde) stekker – de stekker heeft dus een derde pen (aardpen). Deze stekker past alleen in een geaard stopcontact. Als u de stekker niet in het stopcontact kunt steken, moet u contact opnemen met een bevoegde elektricien om het stopcontact te laten vervangen door een geaard stopcontact. Verwijder nooit de aardbeveiliging van de stekker.

D3-4-2-1-6_A1_NI

WAARSCHUWING

Om brand te voorkomen, mag u geen open vuur (zoals een brandende kaars) op de apparatuur zetten.

D3-4-2-1-7a_A1_NI

BELANGRIJKE INFORMATIE BETREFFENDE DE VENTILATIE

Let er bij het installeren van het apparaat op dat er voldoende vrije ruimte rondom het apparaat is om een goede doorstroming van lucht te waarborgen (tenminste 5 cm achter en 5 cm aan de zijkanten van het apparaat).

WAARSCHUWING

De gleuven en openingen in de behuizing van het apparaat zijn aangebracht voor de ventilatie, zodat een betrouwbare werking van het apparaat wordt verkregen en oververhitting wordt voorkomen. Om brand te voorkomen, moet u ervoor zorgen dat deze openingen nooit geblokkeerd worden of dat ze afgedekt worden door voorwerpen (kranten, tafelkleed, gordijn e.d.) of door gebruik van het apparaat op een dik tapijt of een bed.

D3-4-2-1-7b*_A1_NI

Gebruiksomgeving


Temperatuur en vochtigheidsgraad op de plaats van gebruik:

+5 °C tot +35 °C, minder dan 85 % RH
(ventilatieopeningen niet afgedekt)

Zet het apparaat niet op een slecht geventileerde plaats en stel het apparaat ook niet bloot aan hoge vochtigheid of direct zonlicht (of sterke kunstmatige verlichting).

D3-4-2-1-7c*_A1_NI

LET OP

De  schakelaar van dit apparaat koppelt het apparaat niet volledig los van het lichtnet. Aangezien er na het uitschakelen van het apparaat nog een kleine hoeveelheid stroom blijft lopen, moet u de stekker uit het stopcontact halen om het apparaat volledig van het lichtnet los te koppelen. Plaats het apparaat zodanig dat de stekker in een noodgeval gemakkelijk uit het stopcontact kan worden gehaald. Om brand te voorkomen, moet u de stekker uit het stopcontact halen wanneer u het apparaat langere tijd niet denkt te gebruiken (bijv. wanneer u op vakantie gaat).

D3-4-2-2-2a*_A1_NI

Controleer voor gebruik van het product de veiligheidsinformatie aan de onderkant van het apparaat.

D3-4-2-2-4_B1_NI

Dit product voldoet aan de regelgeving betreffende elektromagnetische ruis en interferentie wanneer het is verbonden met andere apparatuur via afgeschermd kabels en aansluitingen. Gebruik uitsluitend de meegeleverde verbindingkabels.

D44-8-2_A1_NI

LET OP

Dit apparaat is geclassificeerd als een klasse 1 laserproduct onder de veiligheidsnormen voor laserproducten, IEC 60825-1:2007.

KLASSE 1 LASERPRODUCT

D58-5-2-2a_A1_NI

Condensatie

Er kunnen waterdruppeltjes uit de lucht in het apparaat (vooral op mechanische onderdelen en lenzen) condenseren; bijvoorbeeld 's winters, als het apparaat vanuit een koude omgeving wordt meegenomen naar een warme ruimte, of als de ruimte waarin het apparaat staat plotseling wordt verwarmd. Als er condensatie in het apparaat is opgetreden, zal het niet goed werken en kunt u het even niet gebruiken. Laat het apparaat gewoon uitgeschakeld ongeveer 1 tot 2 uur lang op kamertemperatuur staan (hoe lang het duurt hangt af van de hoeveelheid condensatie). Het condensvocht zal verdampen en dan kunt u het apparaat weer normaal gebruiken. Condensatie kan zich ook 's zomers voordoen als het apparaat in de directe luchtstroom van een airconditioner e.d. staat. In dat geval kunt u het apparaat beter op een andere plaats zetten.

S005b_A1_NI

WAARSCHUWING

Berg kleine onderdelen op buiten het bereik van kinderen en peuters. Raadpleeg onmiddellijk een arts indien kleine onderdelen per ongeluk worden ingeslikt.

D41-6-4_A1_NI

WAARSCHUWING NETSNOER

Pak het netsnoer beet bij de stekker. Trek de stekker er niet uit door aan het snoer te trekken en trek nooit aan het netsnoer met natte handen aangezien dit kortsluiting of een elektrische schok tot gevolg kan hebben. Plaats geen toestel, meubelstuk o.i.d. op het netsnoer, en klem het niet vast. Maak er nooit een knoop in en verbind het evenmin met andere snoeren. De netsnoeren dienen zo te worden geleid dat er niet per ongeluk iemand op gaat staan. Een beschadigd netsnoer kan brand of een elektrische schok veroorzaken. Controleer het netsnoer af en toe. Wanneer u de indruk krijgt dat het beschadigd is, dient u bij uw dichtstbijzijnde onderhoudscentrum of uw dealer een nieuw snoer te kopen.

S002*_A1_NI

Voordat u begint

Opmerkingen over deze handleiding

Hartelijk dank voor uw aankoop van dit Pioneer DJ product. U moet zowel dit document als de handleiding lezen! Beide documenten bevatten belangrijke informatie die u moet begrijpen voor u dit product gaat gebruiken.

Na het doorlezen van de gebruiksaanwijzing dient u deze te bewaren op een veilige plaats, voor latere naslag.

- Zie *Verkrijgen van de Handleiding van dit toestel* (blz. 4) voor instructies over hoe u de handleiding kunt verkrijgen.

Kenmerken

Dit toestel is een multi-speler voor professionele DJ's, voorzien van de diverse functies, de duurzaamheid en het bedieningsgemak dat nodig is voor gebruik in disco's en nachtclubs. U kunt hele DJ-optredens samenstellen met muziekstukken, niet alleen op USB-apparaten en computers maar ook op mobiele apparaten (smartphones, enz.). Het toestel is niet alleen uitgerust met een breed scala aan mogelijkheden voor DJ-optredens, inclusief PRO DJ LINK, WAVE en BEAT SYNC-functies, maar biedt ook een hoge geluidskwaliteit, zeer betrouwbaar ontwerp en een gebruiksvriendelijke paneelindeling, en kan dus gebruikt worden voor allerlei soorten DJ-optredens.

Verkrijgen van de Handleiding van dit toestel

Instructies worden soms geleverd als PDF-bestanden. U kunt PDF-bestanden lezen als Adobe® Reader® geïnstalleerd is.

1 Start op de computer een webbrowser op en open de Pioneer DJ-ondersteuningsite hieronder.

<http://pioneerdj.com/support/>

2 Klik op de Pioneer DJ-ondersteuningsite op [Manuals] onder [CDJ-2000NXS2].

3 Klik op de downloadpagina op de gewenste taal.

Het downloaden van de handleiding zal nu beginnen.

Inhoud van de doos

- Stroomsnoer
- Audiokabel
- LAN-kabel
- Pen voor geforceerde disc-uitworp (aan de onderkant van het apparaat)
- Handleiding (Snelstartgids) (dit document)
- Garantiekaart

De software voorbereiden

De muziekbeheerssoftware rekordbox en de stuurprogramma's zijn niet inbegrepen.

Om rekordbox en het stuurprogramma te gebruiken, gaat u naar de site rekordbox en de Pioneer DJ Support-site en downloadt u de software. In deze handleiding wordt naar de versie van rekordbox voor Mac/Windows verwezen als "rekordbox (Mac/Windows)". "rekordbox" wordt gebruikt om tegelijk te verwijzen naar de versies rekordbox (Mac/Windows) en rekordbox (iOS/Android) en ook om direct rekordbox-functies aan te duiden.

- De gebruiker is verantwoordelijk voor het correct voorbereiden van de computer, netwerkapparatuur en andere elementen van de internet-gebruiksomgeving die vereist zijn voor verbinding met het Internet.

Omtrent rekordbox

rekordbox is gecombineerde software voor het beheren van tracks en het uitvoeren van DJ-optredens.

Een uitstekende DJ-prestatie kan worden bereikt door de muziekbestanden die door rekordbox worden beheerd, samen met dit toestel te gebruiken.

❖ rekordbox verkrijgen (Mac/Windows)

1 Open uw webbrowser op uw computer en ga naar de site rekordbox.

<http://rekordbox.com/>

2 Klik op [Download] op de site rekordbox en download rekordbox van de downloadpagina.

- Voor hulp of nadere inlichtingen over rekordbox (Mac/Windows) kunt u terecht op de bovengenoemde ondersteuningsite.

❖ Omtrent rekordbox (iOS/Android)

Muziekstukken die worden beheerd door rekordbox kunnen worden afgespeeld door via USB het mobiele apparaat aan te sluiten waarop rekordbox (iOS/Android) is geïnstalleerd. Raadpleeg de website van Pioneer DJ voor informatie over ondersteunde apparaten (<http://pioneerdj.com/support/>).

- Zie voor details over het installeren van rekordbox (iOS/Android) de Pioneer website (<http://rekordbox.com/>).

Omtrent het stuurprogramma

❖ Audiostuurprogramma (Windows)

- Dit stuurprogramma is een exclusief ASIO-stuurprogramma voor het weergeven van geluidssignalen via de computer.
- Het installeren van een stuurprogramma is niet nodig wanneer u Mac OS X gebruikt.

❖ Stuurprogramma voor USB-verbinding (LINK Export) voor rekordbox (Mac/Windows)

- Het stuurprogramma is speciale software voor het verbinden van dit toestel en rekordbox (Mac/Windows) via USB (LINK Export).
 - ➔ Zie de handleiding van dit product voor details over de USB-verbinding (LINK Export).

❖ Het stuurprogramma verkrijgen

1 Start op de computer een webbrowser op en open de Pioneer DJ-ondersteuningsite hieronder.

<http://pioneerdj.com/support/>

2 Klik op [Software Download] onder [CDJ-2000NXS2] op de Pioneer DJ-ondersteuningsite.

3 Klik op het pictogram van het stuurprogramma om het te downloaden van de downloadpagina.

- Voor informatie over het installeren van het stuurprogramma, verwijzen we u naar de Pioneer DJ-ondersteuningsite.

Bruikbare media

Zie de handleiding van dit product voor details.

Omtrent discs

Dit toestel kan muziek-CD's (CD-DA) en muziekbestanden afspelen die zijn opgenomen op CD-ROM (CD-R en CD-RW) of DVD-ROM (DVD-R, DVD-RW, DVD-R DL, DVD+R, DVD+RW, en DVD+R DL).

- 8 cm discs (CD-singles) kunnen niet worden afgespeeld.
-

Omtrent SD-geheugenkaarten

Dit toestel kan muziekbestanden afspelen die zijn opgeslagen op SD-geheugenkaarten die voldoen aan de SD-normen.

Geschikte kaarten ^[1]	<ul style="list-style-type: none">• SD-geheugenkaarten: 8 MB – 2 GB• SDHC-geheugenkaarten: 4 GB – 32 GB
Geschikte formaten	<ul style="list-style-type: none">• SD-geheugenkaarten: FAT12 en FAT16 (volgens de SD-normen)• SDHC-geheugenkaarten: FAT32 (volgens de SD-normen)

[1] CPRM wordt niet ondersteund.

Omtrent USB-apparaten

Dit toestel kan muziekbestanden afspelen die zijn opgeslagen op USB-apparaten voor gegevensopslag (externe harde schijven, draagbare flash-geheugensticks, enz.).

Geschikte bestandssystemen	FAT16, FAT32 en HFS+ (NTFS wordt niet ondersteund.)
----------------------------	---

Muziekstukken die worden beheerd door rekordbox kunnen worden afgespeeld door via USB het mobiele apparaat aan te sluiten waarop rekordbox (iOS/Android) is geïnstalleerd. Raadpleeg de website van Pioneer DJ voor informatie over ondersteunde apparaten (<http://pioneerdj.com/support/>). Raadpleeg voor rekordbox (iOS/Android) de online ondersteunings-site van rekordbox (<http://rekordbox.com/>).

- Informatie zoals disc-herkenningsgegevens, cue-punten, lus-punten en hot-cues kunnen worden opgeslagen op opslagapparatuur (SD, USB).
- Afhankelijk van de opslagapparatuur (SD, USB) die u gebruikt, is het mogelijk dat de prestaties u tegen zullen vallen.
- Er kan niet worden gegarandeerd dat alle opslagapparatuur (SD, USB) naar behoren werkt op dit toestel.

Aansluitingen

- Schakel altijd eerst de stroom uit en trek de stekker uit het stopcontact alvorens u enige aansluiting maakt of verbreekt.
- Zie tevens de gebruiksaanwijzingen van de aan te sluiten apparatuur.
- Sluit het netnoer pas aan nadat alle aansluitingen tussen de apparatuur volledig zijn gemaakt.

- Bij gebruik van een LAN-kabel voor de verbinding moet u de LAN-kabel die wordt meegeleverd met dit product gebruiken of een STP (Shielded Twisted Pair) kabel.
- Maak niet de LAN-kabel los wanneer er muziekbestanden en/of informatie wordt gedeeld via de PRO DJ LINK.

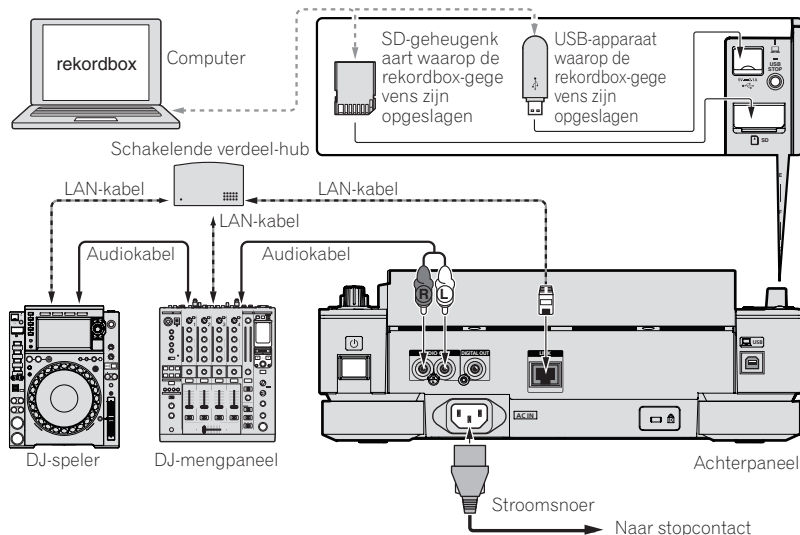
Basisstijl

Dit toestel speelt hoofdzakelijk muziekstukken af die zijn voorbereid met rekordbox geïnstalleerd op een computer.

- Zie de gebruikershandleiding van rekordbox (Mac/Windows) voor instructies over het bedienen van rekordbox. De gebruikershandleiding van rekordbox (Mac/Windows) kan geraadpleegd worden via het menu [Help] van rekordbox.
- Voor DJ-spelers en DJ-mengpanelen kunnen er maximaal vier PRO DJ LINK-compatibele spelers worden verbonden via LAN-kabels (CAT5e) met PRO DJ LINK-verbindingen.
- Een schakelende verdeler (switching hub, los verkrijgbaar) is mogelijk vereist, afhankelijk van de combinatie van de gebruikte modellen. Gebruik een schakelende verdeel-hub van 100 Mbps of meer. Het is mogelijk dat bepaalde switching hubs niet goed werken.
- Een schakelende verdeler (switching hub) (los verkrijgbaar) is vereist om een mengpaneel met slechts één LAN-aansluiting aan te kunnen sluiten. Voor mengpanelen met voldoende LAN-aansluitingen voor alle DJ-spelers en computers in het systeem, kunt u de verbinding rechtstreeks, zonder hub, maken op één van de LAN-aansluitingen op het achterpaneel van het mengpaneel.

PRO DJ LINK (SD & USB Export)

- rekordbox muziekbestanden en gegevens kunnen worden uitgewisseld met dit toestel met een geheugenapparaat (flashgeheugen, harde schijf, enz.), zodat u niet uw computer mee hoeft te nemen in uw DJ-booth. Informatie als afspeellijsten, cues, lussen en hot-cues van tevoren ingesteld met rekordbox kunnen worden gebruikt voor het afspelen.



Waarschuwingen

Om het gebruik van beheerfuncties voor muziekbestanden van rekordbox te maximaliseren, past u het spelnummer aan op het kanaal van de audiokabel die in de mixer is geplaatst.

Als het spelnummer anders is, moet u de instelling voor **[PLAYER No.]** veranderen op het **[UTILITY]**-scherm.

➔ Zie de handleiding van dit product voor instructies over het veranderen van de instellingen op het **[UTILITY]**-scherm.

- Wanneer er een opslagapparaat is verbonden met dit toestel, zal **[PLAYER No.]** grijs worden aangegeven en kunt u dit niet veranderen. Koppel het opslagapparaat of de LAN-kabel los om de verbinding te verbreken en verander vervolgens de instelling.

Bediening

Inschakelen van de stroom

1 Maak alle verbindingen en steek vervolgens de stekker in het stopcontact.

➔ *Aansluitingen* (biz.6)

2 Druk op de [⏻]-schakelaar.

De indicators van dit toestel lichten op en de stroom wordt ingeschakeld.

Uitschakelen van de stroom

Druk op de [⏻]-schakelaar.

De stroomvoorziening van dit toestel wordt uitgeschakeld.

- Trek de SD-geheugenkaart niet uit het toestel en schakel ook de stroom voor dit toestel niet uit terwijl de indicator voor de SD-geheugenkaart nog knippert. Hierdoor kunnen namelijk de beheergegevens van dit toestel gewist worden en kan de SD-geheugenkaart beschadigd raken zodat deze niet meer afgelezen kan worden.
- Verwijder het USB-apparaat niet of schakel het apparaat niet uit terwijl de USB-aanduiding knippert. De beheergegevens in het apparaat kunnen verwijderd worden. Het is ook mogelijk dat niet meer kan worden gelezen van het USB-apparaat.

Inbrengen van discs

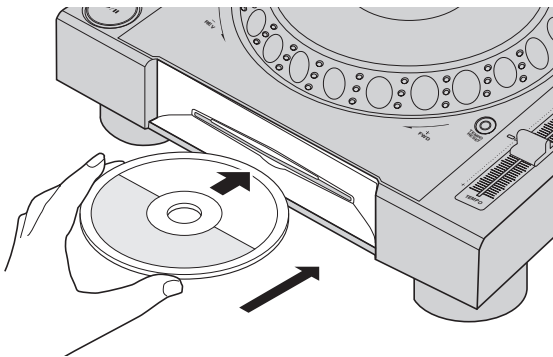
- Dit toestel is geschikt voor het afspelen van één enkele disc. Doe in geen geval meer dan één disc in het toestel.
- Plaats geen disc met kracht in de disc-insteekgleuf wanneer dit toestel uitgeschakeld staat. Hierdoor kan de disc beschadigd raken en kan dit toestel storingen gaan vertonen.
- Wanneer de disc naar binnen of naar buiten wordt geschoven, mag u die niet met de hand of enige andere wijze tegenhouden. Dat zou de disc of dit toestel kunnen beschadigen.

1 Druk op de [⏻]-schakelaar om dit toestel aan te zetten.

2 Doe de disc horizontaal in de disc-insteekgleuf met de bedrukte labelkant naar boven.

Het afspelen begint nadat de informatie van het medium is afgelezen.

- Wanneer er een disc met muziekstukken in een hiërarchische opbouw van mappen is geladen, begint het afspelen bij de muziekstukken in de bovenste maplaag.



- Wanneer de auto-cue functie is ingeschakeld, zal de disc pauzeren op de positie waar de audio moet beginnen. Druk in dat geval op [PLAY/PAUSE ▶/II] om het afspelen te laten beginnen.
➔ Zie de handleiding van dit product voor details over de auto-cue functie.

- Als een disc wordt geplaatst terwijl er een opslagapparaat (SD, USB) dat eerder met dit toestel werd verbonden of een andere DJ-speler van Pioneer DJ is aangesloten, wordt het aantal discs inclusief de discinformatie enkele seconden op het display van het hoofdtoestel getoond.
➔ Zie de handleiding van dit product voor details over het geheugen voor discinformatie.

SD-geheugenkaarten inbrengen

- Plaats geen andere voorwerpen dan alleen de SD-geheugenkaart in de SD-kaartinsteekgleuf. Als er een muntstuk of ander metalen voorwerp in zou komen, kan dat de elektrische circuits beschadigen en defecten veroorzaken.
- Probeer nooit om een SD-geheugenkaart met kracht te plaatsen of te verwijderen. Dat zou de SD-geheugenkaart of dit toestel kunnen beschadigen.

1 Druk op de [⏻]-schakelaar om dit toestel aan te zetten.

2 Open de SD-geheugenkaartklep.

3 Steek de SD-geheugenkaart er in.

Steek de SD-geheugenkaart verticaal in, met de achterkant naar voren en de inkeping omlaag gericht. Druk de kaart er langzaam in totdat die stuit.

4 Sluit de SD-geheugenkaartklep.

Aansluiten van USB-apparaten

1 Druk op de [⏻]-schakelaar om dit toestel aan te zetten.

2 Sluit een USB-apparaat aan op de USB-aansluitbus.

Afspelen van media die verbonden zijn met of ingebracht zijn in dit toestel

1 Laad het medium in dit apparaat.

2 Druk op de corresponderende toets voor het medium in kwestie ([DISC], [SD] of [USB]).

De muziekstukken of mappen worden getoond in een lijst. Het medium waarvan de inhoud wordt weergegeven op het display van het hoofdtoestel kan worden omgeschakeld.

[DISC] toets: Toont de inhoud van de disc in het toestel.

[SD] toets: Toont de inhoud van de SD-geheugenkaart in het toestel.

[USB] toets: Toont de inhoud van de op het toestel aangesloten USB- of mobiele apparatuur.

- Als het opslagapparaat (SD,USB) rekordbox-bibliotheekinformatie bevat, zal de rekordbox-bibliotheek worden getoond.
 - Zie de handleiding van dit product voor instructies over het bladeren of zoeken in de rekordbox-bibliotheek.

3 Draai aan de draaiknop.

Verplaats de cursor en selecteer het item.



- Druk de draaiknop in om over te schakelen naar een lager niveau in de map. Druk op de [BACK]-toets om terug te keren naar het niveau erboven.
- Wanneer de [BACK]-toets meer dan één seconde ingedrukt wordt gehouden of wanneer de toets voor het medium waarop u aan het zoeken bent wordt ingedrukt, schakelt het scherm over naar het bovenste niveau.

4 Selecteer het muziekstuk en druk dan de draaiknop in.

Wanneer het muziekstuk geladen wordt, schakelt het scherm over naar het normale weergavescherm.

Het muziekstuk wordt geladen, het afspelen begint en de corresponderende mediumtoets gaat knipperen.

- Zie de handleiding van dit product voor details over het normale weergavescherm.

Zie de handleiding van dit product voor andere handelingen.

Aanvullende informatie

Verhelpen van storingen

- Verkeerde bediening kan vaak de oorzaak zijn van een schijnbare storing of foutieve werking. Als u denkt dat er iets mis is met deze apparatuur, moet u de punten hieronder controleren en de **[FAQ]** voor de **[CDJ-2000NXS2]** op de Pioneer DJ-ondersteuningsite. <http://pioneeordj.com/support/>
Soms ligt de oorzaak van het probleem bij een ander apparaat. Controleer daarom ook de andere componenten en elektrische apparatuur die gebruikt wordt. Als u het probleem niet kunt verhelpen, verzoekt u dan uw dichtstbijzijnde officiële Pioneer onderhoudsdienst of uw vakhandelaar om het apparaat te laten repareren.
- Dit apparaat kan soms niet goed werken vanwege statische elektriciteit of andere externe invloeden. In dat geval kunt u de juiste werking herstellen door de stroom uit te schakelen, 1 minuut te wachten en dan de stroom weer in te schakelen.

Probleem	Controle	Oplossing
De disc is niet te verwijderen.	Staat [EJECT/LOAD LOCK] ingesteld op [LOCK] ?	Druk op de [PLAY/PAUSE▶/III] -toets om de pauzestand in te stellen en druk dan op de [DISC EJECT▲] -toets. Stel [EJECT/LOAD LOCK] bij [UTILITY] in op [UNLOCK] en druk dan op de [DISC EJECT▲] -toets.
	—	Als de [DISC EJECT▲] -toets niet werkt, steekt u de pen in de geforceerde disc-uitwerpopening om de disc uit te laten schuiven.
Na laden van de disc begint het afspelen niet.	Is de disc of het bestand wel afspeelbaar? Staat de auto-cue functie wellicht ingeschakeld?	Zie <i>Bruikbare media</i> op bladzijde 5. Houd [AUTO CUE] tenminste 1 seconde lang ingedrukt om de auto-cue functie uit te schakelen.
Een bestand kan niet worden weergegeven.	Is het bestand kopieerbeveiligd (met DRM)?	Kopieerbeveiligde bestanden zijn niet afspeelbaar.
Er klinkt geen geluid of erg lawaaiig en vervormd geluid.	Bedient u het aangesloten DJ-mengpaneel wel goed? Staat dit toestel dicht bij een televisie?	Controleer de werking van het DJ-mengpaneel. Schakel de televisie uit of zet dit toestel en de televisie verder uit elkaar.
Er klinkt lawaai of de weergave stopt wanneer een bepaalde disc wordt afgespeeld.	Zijn er krassen op de disc? Is de disc vuil?	Bekraste discs kunnen niet altijd goed worden afgespeeld. Veeg de disc zorgvuldig schoon.
De bestandsgegevens worden niet juist getoond.	Staat [LANGUAGE] juist ingesteld? Zijn de gegevens opgenomen in een taal waarvoor dit toestel niet geschikt is?	Stel [LANGUAGE] in op de gewenste taal. Bij het samenstellen van bestanden met de DJ-software e.d. kunt u de gegevens het best opslaan in een taal die dit toestel ondersteunt.
Het opzoeken van een muziekstuk duurt te lang.	Staat de auto-cue functie wellicht ingeschakeld? —	Het opzoeken van muziekstukken kan wel eens lang duren als er lange stille stukken tussen de muziek zijn. Als het muziekzoeken binnen 10 seconden niet lukt, is er een cue-punt ingesteld aan het begin van het muziekstuk.
De back-cue terugkeerfunctie werkt niet.	Is er een cue-punt ingesteld?	Stel een cue-punt in.
De lus-weergavefunctie werkt niet.	Is er een cue-punt ingesteld?	Stel een cue-punt in.
De instellingen zijn niet in het geheugen opgeslagen.	Is de stroom uitgeschakeld kort nadat u de instellingen had gemaakt of gewijzigd?	Na het maken of wijzigen van instellingen dient u tenminste 10 seconden te wachten voordat u de stroom uitschakelt.
Het USB-apparaat wordt niet herkend.	Is het USB-apparaat naar behoren aangesloten? Is het USB-apparaat aangesloten via een USB-verdeelhub? Is het USB-apparaat wel geschikt voor dit toestel? Is het bestandsformaat wel geschikt voor dit toestel? —	Stek de stekker stevig helemaal in de aansluitbus. USB-verdeelhubs zijn niet bruikbaar. Deze speler ondersteunt USB-apparaten voor gegevensopslag. Deze speler ondersteunt mobiele apparaten waarop rekordbox (iOS/Android) is geïnstalleerd. Controleer het bestandsformaat van het aangesloten USB-apparaat. De bestandsformaten die geschikt zijn voor dit toestel vindt u op <i>Omtrent USB-apparaten</i> op bladzijde 5. Schakel de stroom uit en dan weer in.
Cue- of lus-punten worden niet opgeslagen op opslagapparatuur (SD, USB).	Probeert u meer punten op te slaan dan de limiet? Is het opslagapparaat (SD, USB) tegen schrijven beveiligd? Is er voldoende ruimte op het opslagapparaat (SD, USB)?	Het maximum aantal cue- of lus-punten dat kan worden opgeslagen op opslagapparatuur (SD, USB) per disc is 100. Voor andere media dan discs is het maximum 10 punten per muziekstuk. Als u probeert meer punten op te slaan dan toegestaan, verschijnt de waarschuwing [CUE/LOOPPOINT FULL] en worden de punten niet opgeslagen. Wis in een dergelijk geval een aantal punten voor u nieuwe opslaat. Als een SD-geheugenkaart tegen schrijven is beveiligd, verschijnt de waarschuwing [CARD PROTECTED] en worden de punten niet opgeslagen. Als een USB-apparaat tegen schrijven is beveiligd, verschijnt de waarschuwing [USB FULL] en worden de punten niet opgeslagen. Schakel de schrijf-beveiliging uit en probeer de punten dan opnieuw op te slaan. Als er niet genoeg vrije ruimte op een SD-geheugenkaart is, zal de melding [CARD FULL] verschijnen en kunnen de punten niet worden opgeslagen. Als er niet genoeg vrije ruimte op een USB-apparaat is, zal de melding [USB FULL] verschijnen en kunnen de punten niet worden opgeslagen. Maak ruimte vrij en probeer de punten dan opnieuw op te slaan.

Probleem	Controle	Oplossing
De cue-punten of lussen in muziekstukken die zijn opgenomen opslagapparatuur (SD, USB) worden niet aangegeven.	Was het USB-apparaat correct gestopt voor het de laatste keer losgekoppeld werd?	De punten kunnen niet worden aangegeven als de SD-geheugenkaart/het USB-apparaat wordt verwijderd zonder de juiste uitschakelprocedure te volgen of als dit toestel zonder meer wordt uitgeschakeld. Controleer of de indicator voor de SD-geheugenkaart of de USB helemaal uit is voor u opslagapparatuur (SD, USB) loskoppelt of dit toestel uitschakelt.
Wanneer er op toetsen wordt gedrukt om de hot-cue opslagfunctie op te roepen of om een lus te herhalen, of wanneer de hendel verplaatst wordt naar achteruit spelen, dan begint de gewenste handeling niet onmiddellijk.	Staat de kwantiseringsfunctie aan?	Wanneer de kwantiseringsfunctie is ingeschakeld, begint de handeling vanaf de beatpositie die het dichtst ligt bij de plek waar er op de toetsen werd gedrukt of de hendel werd verplaatst. Om de handeling onmiddellijk te laten beginnen zodra de toetsen worden ingedrukt of de hendel wordt verplaatst, moet u de kwantiseringsfunctie uitschakelen.
De aanduiding van het afspeeladres verschijnt niet, in de resterende speelduur-aanduiding.	—	Bij het afspelen van bestanden die zijn opgenomen in VBR-formaat bestaat de kans dat het apparaat niet onmiddellijk de lengte van het muziekstuk kan bepalen en dat het even duurt voordat het afspeeladres verschijnt.
Het duurt lang om opslagapparatuur (SD, USB) (flashgeheugens of harde schijven) af te lezen.	Zijn er een groot aantal mappen of bestanden opgenomen op het opslagapparaat (SD, USB)? Zijn er andere bestanden dan muziekbestanden opgeslagen op het opslagapparaat (SD, USB)?	Wanneer er veel mappen of bestanden zijn, kan het laden ervan enige tijd vergen. Wanneer er andere bestanden dan muziekbestanden zijn opgenomen in de mappen, is er tijd voor nodig om die ook te lezen. Sla geen andere bestanden of mappen dan muziekbestanden op in een USB-apparaat.
Het doorbladeren van een bibliotheek lukt niet.	Zijn er op het opslagmedium wel bibliotheekgegevens opgeslagen?	De bibliotheek-doorbladerfunctie is alleen te gebruiken als er een medium met daarop bibliotheekgegevens is geladen. Wanneer er een opslagmedium zonder bibliotheekgegevens wordt geladen, wordt de mappen-doorbladerfunctie ingeschakeld.
De [HISTORY]-lijst wordt niet weergegeven.	Is het opslagapparaat (SD, USB) correct met dit toestel verbonden?	De [HISTORY]-functie kan alleen worden gebruikt met de DJ-speler waarop het opslagapparaat (SD, USB) is aangesloten.
Er wordt niets aangegeven.	Staat de energiebesparingsfunctie ingeschakeld?	Bij aflevering van dit apparaat staat de energiebesparingsfunctie ingeschakeld. Als u de energiebesparingsfunctie niet wilt gebruiken, zet u [AUTO STANDBY] op [OFF].
De toonschaal wordt niet weergegeven.	Is het muziekstuk langer dan 15 minuten?	De toonschaal wordt niet weergegeven voor muziekstukken met een afspeeltijd van meer dan 15 minuten.
De PRO DJ LINK-verbinding werkt niet goed.	Zijn de spelernummers juist ingesteld? Is de LAN-kabel naar behoren aangesloten? Staat de schakelende verdeel-hub wel ingeschakeld? Is er wellicht een overbodig apparaat aangesloten op de schakelende verdeel-hub?	Stel [PLAYER No.] in op [AUTO] of op een ander nummer dan het nu gekozen nummer. Zorg dat de LAN-kabel juist is aangesloten op de [LINK]-aansluiting. Schakel de stroom van de verdeel-hub in. Maak het overbodige apparaat los van de schakelende verdeel-hub.
Er is geen reactie als u het scherm aanraakt of de reactie is slecht. Een andere positie dan de werkelijk aangeraakte locatie reageert.	Afwijking van de kalibratieaanpassing van het aanraakscherm.	Pas het aanraakscherm aan met de instellingen [TOUCH DISPLAY CALIBRATION] op het scherm [UTILITY].

Foutmeldingen

Wanneer dit toestel niet normaal werkt, wordt er een foutmelding weergegeven. Controleer de onderstaande tabel en neem de aanbevolen maatregel. Als de foutcode niet vermeld staat in de onderstaande tabel, of als dezelfde foutcode ook na de aanbevolen maatregelen opnieuw verschijnt, raadpleeg dan de handelaar van wie u het toestel hebt gekocht.

Storingscode	Foutmelding (type storing)	Beschrijving van de storing	Oorzaak en oplossing
E-7201	CANNOT READ DISC	De inhoudsopgave is niet te lezen.	<ul style="list-style-type: none"> De disc is gebarsten. → Gebruik een andere disc. De disc is vuil. → Maak de disc schoon. Als het met andere discs wel goed gaat, ligt de fout bij deze disc.
E-8301	CANNOT READ DISC	De geplaatste disc kan niet goed worden afgespeeld.	<ul style="list-style-type: none"> De muziekstukgegevens (het bestand) zijn mogelijk verminkt. → Controleer of het muziekstuk (het bestand) wel kan worden afgespeeld op een andere speler enz. die hetzelfde soort formaten aankan als deze speler.
E-8302	CANNOT PLAY TRACK(****)	Muziekstukgegevens (bestand) op de disc of op het opslagapparaat (SD, USB) kunnen niet correct worden afgelezen.	<ul style="list-style-type: none"> De muziekstukgegevens (het bestand) zijn mogelijk verminkt. → Controleer of het muziekstuk (het bestand) wel kan worden afgespeeld op een andere speler enz. die hetzelfde soort formaten aankan als deze speler.
E-8304 E-8305	UNSUPPORTED FILE FORMAT	De geladen muziekbestanden kunnen niet goed worden afgespeeld.	Het formaat is niet juist. → Gebruik muziekbestanden in het juiste formaat.
E-9101	MECHANICAL TIMEOUT	Mechanische fout (tijdoverschrijding) tijdens het laden of uitnemen van de disc.	Deze foutmelding verschijnt als de beweging van het mechanisme niet wordt voltooid in de toegestane tijd.

Het aanraakscherm reinigen

Gebruik geen organische oplosmiddelen, zuren of alkalihoudende stoffen om het oppervlak van het aanraakscherm te reinigen. Veeg het schoon met een droge zachte doek of een doek die is ondergedompeld in een neutraal reinigingsmiddel en goed is uitgewrongen.

Over handelsmerken en gedeponeerde handelsmerken

- Pioneer DJ is een handelsmerk van PIONEER CORPORATION en wordt in licentie gebruikt. rekordbox en KUVO zijn handelsmerken of geregistreerde handelsmerken van de Pioneer DJ Corporation.
- Windows is een gedeponeerd handelsmerk van Microsoft Corporation in de Verenigde Staten en andere landen.
- Adobe en Reader zijn handelsmerken of gedeponeerde handelsmerken van Adobe Systems Incorporated in de Verenigde Staten en/of andere landen.
- ASIO is een handelsmerk van Steinberg Media Technologies GmbH.
- Het SD-logo is een handelsmerk van SD-3C, LLC.



- Het SDHC-logo is een handelsmerk van SD-3C, LLC.



- **DVD** is een handelsmerk van DVD Format/ Logo Licensing Corporation.
- "Made for iPod," "Made for iPhone," en "Made for iPad" wil zeggen dat een elektronische accessoire speciaal ontwikkeld is voor verbinding met respectievelijk een iPod, iPhone of iPad, en door de maker gewaarborgd is als conform de Apple werkingsnormen. Apple is niet verantwoordelijk voor de werking van dit apparaat en voor het voldoen aan de veiligheidsnormen en wettelijke normen. Houd er rekening mee dat het gebruik van dit accessoire met iPod, iPhone of iPad invloed kan hebben op de draadloze prestatie.

Made for



iPod



iPhone



iPad

- Apple, iPad, iPhone, iPod, iPod touch, iTunes, Mac, Mac OS en OS X zijn handelsmerken van Apple Inc., gedeponeerd in de VS en andere landen.
- iOS is een handelsmerk waarvan Cisco de handelsmerkrechten bezit in de VS en bepaalde andere landen.
- Android™ is een handelsmerk van Google Inc.
- Wi-Fi is een gedeponeerd handelsmerk van de Wi-Fi Alliance.
- De hierin vermelde namen van bedrijven en hun producten zijn de handelsmerken of geregistreerde handelsmerken van hun respectieve eigenaars.

- This software is based in part on the work of the Independent JPEG Group.
- De software in dit toestel maakt gedeeltelijk gebruik van software van de onafhankelijke JPEG Group.

Over het gebruiken van MP3-bestanden

Dit product wordt geleverd onder licentie voor toepassing zonder winstbejag. Dit product draagt geen licentie voor commerciële doeleinden (met winstbejag), zoals voor uitzendingen (via zendstations, satelliet, kabel of andere vormen van uitzending), voor streamen over Internet, Intranet (bedrijfsnetwerken) of andere soorten netwerken of verspreiding van elektronische informatie (online digitale muziekverspreidingsdiensten). Voor dergelijke toepassingen zult u een aanvullende licentie moeten verkrijgen. Zie voor nadere details de website <http://www.mp3licensing.com>.

Apple Lossless Audio Codec

Copyright © 2011 Apple Inc. All rights reserved.
Licensed under the Apache License, Version 2.0. You may obtain a copy of the License at <http://www.apache.org/licenses/LICENSE-2.0>

Op onderstaande website zijn vertalingen beschikbaar van de softwarelicentie. Deze vertalingen zijn geen officiële documenten.
Raadpleeg de oorspronkelijke versie in het Engels.
Copyright © 2011 Apple Inc. All rights reserved.
Licentie verleend onder de Apache License, versie 2.0. U kunt een kopie van de licentie verkrijgen op <http://www.apache.org/licenses/LICENSE-2.0>

FLAC

FLAC Decoder

Copyright © 2000-2009 Josh Coalson

Copyright © 2011-2014 Xiph.Org Foundation

Redistribution and use in source and binary forms, with or without modification, are permitted provided that the following conditions are met:

- Redistributions of source code must retain the above copyright notice, this list of conditions and the following disclaimer.
- Redistributions in binary form must reproduce the above copyright notice, this list of conditions and the following disclaimer in the documentation and/or other materials provided with the distribution.
- Neither the name of the Xiph.org Foundation nor the names of its contributors may be used to endorse or promote products derived from this software without specific prior written permission.

THIS SOFTWARE IS PROVIDED BY THE COPYRIGHT HOLDERS AND CONTRIBUTORS "AS IS" AND ANY EXPRESS OR IMPLIED WARRANTIES, INCLUDING, BUT NOT LIMITED TO, THE IMPLIED WARRANTIES OF MERCHANTABILITY AND FITNESS FOR A PARTICULAR PURPOSE ARE DISCLAIMED. IN NO EVENT SHALL THE FOUNDATION OR CONTRIBUTORS BE LIABLE FOR ANY DIRECT, INDIRECT, INCIDENTAL, SPECIAL, EXEMPLARY, OR CONSEQUENTIAL DAMAGES (INCLUDING, BUT NOT LIMITED TO, PROCUREMENT OF SUBSTITUTE GOODS OR SERVICES; LOSS OF USE, DATA, OR PROFITS; OR BUSINESS INTERRUPTION) HOWEVER CAUSED AND ON ANY THEORY OF LIABILITY, WHETHER IN CONTRACT, STRICT LIABILITY, OR TORT (INCLUDING NEGLIGENCE OR OTHERWISE) ARISING IN ANY WAY OUT OF THE USE OF THIS SOFTWARE, EVEN IF ADVISED OF THE POSSIBILITY OF SUCH DAMAGE.

Waarschuwingen betreffende auteursrechten

Het rekordbox-programma beperkt het afspelen en kopiëren van muziek-materiaal met auteursrechtbescherming.

- Wanneer er gecodeerde gegevens e.d. voor auteursrechtbescherming zijn opgenomen in de muziek, kan het niet altijd mogelijk zijn het programma normaal te gebruiken.
- Wanneer rekordbox waarneemt dat er gecodeerde gegevens e.d. voor auteursrechtbescherming zijn opgenomen in de muziek, kan de bewerking (afspelen, lezen e.d.) tussentijds stoppen.

Opnemen die u hebt gemaakt kunnen slechts dienen voor uw eigen luisterplezier en kunnen onder de auteursrechtwetten niet voor andere doeleinden worden gebruikt zonder toestemming van de auteursrechthouder.

- Muziek die is opgenomen vanaf CD's e.d. wordt beschermd door de auteursrechtwetten van de meeste landen en door internationale verdragen. Het valt onder de verantwoordelijkheid van de persoon die de muziek heeft opgenomen er op toe te zien dat de opnamen op legale wijze worden gebruikt.
- Bij het behandelen van muziek die door downloaden van Internet e.d. is verkregen, is het de volledige verantwoordelijkheid van de persoon die het downloaden heeft verricht er op toe te zien dat de muziek wordt gebruikt in overeenstemming met de voorwaarden van het download-contract.

Specificaties

Stroomvereisten	110 V tot 240 V wisselstroom, 50 Hz/60 Hz
Stroomverbruik	41 W
Stroomverbruik (in de ruststand)	0,4 W
Gewicht hoofdapparaat	5,7 kg
Buitenafmetingen	320 mm (B) × 113,2 mm (H) × 414,4 mm (D)
Toegestane bedrijfstemperatuur	+5 °C tot +35 °C
Toegestane luchtvochtigheid	5 % tot 85 % (zonder condensatie)

Analoge geluidsuitgangen (AUDIO OUT L/R)

Uitgangsaansluiting	Tulpstekkerbussen
Uitgangsniveau	2,0 Vrms (1 kHz)
Frequentierespons	4 Hz tot 40 kHz
Signaal/ruisverhouding	115 dB
Totale harmonische vervorming	0,0018 %

Digitale geluidsuitgang (DIGITAL OUT)

Uitgangsaansluiting	Tulpstekkerbussen
Uitgangstype	Coaxiaal digitaal (S/PDIF)
Uitgangsniveau	0,5 Vp-p (75 Ω)
Uitvoerformaat	44,1 kHz/96 kHz, 24 bit/16 bit

USB "downstream"-gedeelte (USB)

Aansluitbus	Type A
Stroomvoorziening	5 V/2,1 A of minder

USB "upstream"-gedeelte (USB)

Aansluitbus	Type B
-------------------	--------

LAN-netwerk (PRO DJ LINK)

Type	100Base-TX
------------	------------

SD-geheugenkaartgedeelte

Bestandssysteem	Conform de "SD-specificaties deel 2 bestandssysteemspecificatie versie 2.00" normen
Max. geheugencapaciteit	32 GB

Hoofdscherm

Type scherm	Actieve matrix TFT vloeikristal scherm (LCD)
Beschikbare talen	18 talen

- De technische gegevens en het ontwerp van dit product kunnen vanwege voortgaande verbetering zonder voorafgaande kennisgeving worden gewijzigd.

- © 2015 Pioneer DJ Corporation. Alle rechten voorbehouden.



Si desea deshacerse de este producto, no lo mezcle con los residuos generales de su hogar. De conformidad con la legislación vigente, existe un sistema de recogida distinto para los productos electrónicos que requieren un procedimiento adecuado de tratamiento, recuperación y reciclado.

Las viviendas privadas en los estados miembros de la UE, en Suiza y Noruega pueden devolver gratuitamente sus productos electrónicos usados en las instalaciones de recolección previstas o bien en las instalaciones de minoristas (si adquieren un producto similar nuevo).

En el caso de los países que no se han mencionado en el párrafo anterior, póngase en contacto con sus autoridades locales a fin de conocer el método de eliminación correcto.

Al actuar siguiendo estas instrucciones, se asegurará de que el producto de desecho se somete a los procesos de tratamiento, recuperación y reciclaje necesarios, con lo que se previenen los efectos negativos potenciales para el entorno y la salud humana.

K058b_A1_Es

PRECAUCIÓN

PARA PREVENIR EL PELIGRO DE CHOQUE ELÉCTRICO
NO REMOVER LA TAPA NI LAS PARTES DENTRO NO
UTILIZADAS, LLAMAR UNA PERSONA CUALIFICADA.

D3-4-2-1-1_B2_Es

ADVERTENCIA

Este aparato no es impermeable. Para evitar el riesgo de incendio y de descargas eléctricas, no ponga ningún recipiente lleno de líquido (como pueda ser un vaso o un florero) cerca del aparato ni lo exponga a goteo, salpicaduras, lluvia o humedad.

D3-4-2-1-3_A1_Es

ADVERTENCIA

Este producto está provisto de una clavija de tres conductores con toma de tierra (puesta a tierra) cuya tercera patilla es la de toma de tierra. Esta clavija sólo se adapta en una toma de corriente del tipo de toma de tierra. Si no puede insertar la clavija en la toma de corriente, llame a un electricista profesional para que le reemplace la toma de corriente por otra con toma de tierra que sea adecuada. No elimine el dispositivo de seguridad de la clavija con toma de tierra.

D3-4-2-1-6_A1_Es

ADVERTENCIA

Para evitar el peligro de incendio, no ponga nada con fuego encendido (como pueda ser una vela) encima del aparato.

D3-4-2-1-7a_A1_Es

PRECAUCIÓN PARA LA VENTILACIÓN

Cuando instale este aparato, asegúrese de dejar espacio en torno al mismo para la ventilación con el fin de mejorar la disipación de calor (por lo menos 5 cm detrás, y 5 cm en cada lado).

ADVERTENCIA

Las ranuras y aberturas de la caja del aparato sirven para su ventilación para poder asegurar un funcionamiento fiable del aparato y para protegerlo contra sobrecalentamiento. Para evitar el peligro de incendio, las aberturas nunca deberán taparse ni cubrirse con nada (como por ejemplo, periódicos, manteles, cortinas) ni ponerse en funcionamiento el aparato sobre una alfombra gruesas o una cama.

D3-4-2-1-7b*_A1_Es

Entorno de funcionamiento

Temperatura y humedad del entorno de funcionamiento +5 °C a +35 °C; menos del 85 % de humedad relativa (rejillas de refrigeración no obstruidas)
No instale este aparato en un lugar mal ventilado, ni en lugares expuestos a alta humedad o a la luz directa del sol (o de otra luz artificial potente).

D3-4-2-1-7c*_A1_Es

PRECAUCIÓN

El interruptor de la alimentación $\text{\textcircled{O}}$ de este aparato no corta por completo toda la alimentación de la toma de corriente de CA. Puesto que el cable de alimentación hace las funciones de dispositivo de desconexión de la corriente para el aparato, para desconectar toda la alimentación del aparato deberá desenchufar el cable de la toma de corriente de CA. Por lo tanto, asegúrese de instalar el aparato de modo que el cable de alimentación pueda desenchufarse con facilidad de la toma de corriente de CA en caso de un accidente. Para evitar correr el peligro de incendio, el cable de alimentación también deberá desenchufarse de la toma de corriente de CA cuando no se tenga la intención de utilizarlo durante mucho tiempo seguido (por ejemplo, antes de irse de vacaciones).

D3-4-2-2-2a*_A1_Es

Cuando utilice este producto, confirme la información de seguridad mostrada en la parte inferior de la unidad.

D3-4-2-2-4_B1_Es

PRECAUCIONES CONCERNIENTES A LA MANIPULACIÓN DEL CABLE DE ALIMENTACIÓN

Tome el cable de alimentación por la clavija. No extraiga la clavija tirando del cable. Nunca toque el cable de alimentación cuando sus manos estén mojadas, ya que esto podría causar cortocircuitos o descargas eléctricas. No coloque la unidad, algún mueble, etc., sobre el cable de alimentación. Asegúrese de no hacer nudos en el cable ni de unirlo a otros cables. Los cables de alimentación deberán ser dispuestos de tal forma que la probabilidad de que sean pisados sea mínima. Una cable de alimentación dañado podrá causar incendios o descargas eléctricas. Revise el cable de alimentación está dañado, solicite el reemplazo del mismo al centro de servicio más cercano, o a su distribuidor

S002*_A1_Es

ADVERTENCIA

Guarde las piezas pequeñas fuera del alcance de los niños. Si las ingirieran accidentalmente, póngase de inmediato en contacto con un médico.

D41-6-4_A1_Es

Este producto cumple las normas relacionadas con el ruido electromagnético cuando se conecta a otro equipo por medio de cables y conectores blindados. Use sólo los cables de conexión accesorios suministrados.

D44-8-2_A1_Es

PRECAUCIÓN

Este aparato es un producto de láser de clase 1 clasificado como tal en Seguridad de productos de láser, IEC 60825-1:2007.

PRODUCTO LASER CLASE 1

D58-5-2-2a_A1_Es

Condensación

En invierno pueden formarse gotas de agua (condensación) dentro de la unidad (en las partes de funcionamiento o en la lente), por ejemplo, si ésta se pasa de un lugar frío a otro caliente o si la temperatura de la habitación donde esta instalada la unidad aumenta repentinamente (empleando una calefacción, etc.). La unidad no funcionará correctamente o no funcionará en absoluto con condensación en su interior. Deje la unidad a la temperatura ambiental de la habitación durante 1 ó 2 horas (aunque este tiempo depende de las condiciones de la condensación) sin conectar su alimentación. Las gotas de agua se evaporarán y la unidad podrá reproducir. La condensación también se puede producir en verano si la unidad se expone a la salida directa de aire procedente de un acondicionador de aire, etc. Si pasa esto, ponga la unidad en una posición diferente.

S005b_A1_Es

Antes de comenzar

Cómo leer este manual

Gracias por adquirir este producto Pioneer DJ.

iAsegúrese de leer este folleto y el manual de instrucciones! Ambos documentos incluyen información importante que usted deberá entender antes de usar este producto.

Después de haber terminado de leer estas instrucciones, guárdelas en un lugar seguro para, en caso de ser necesario, consultarlas en el futuro.

- Para las instrucciones sobre cómo adquirir el manual de instrucciones, vea *Adquisición del Manual de instrucciones de esta unidad* (pág. 4).

Características

Esta unidad es un multi reproductor para DJ profesionales que ofrece la variedad de funciones, durabilidad y operabilidad requeridas para trabajar en discotecas y clubs nocturnos. Se pueden realizar actuaciones de DJ completas utilizando pistas no solo de dispositivos USB y de ordenadores sino también de dispositivos móviles (teléfonos inteligentes, etc.). No solo está equipado con una amplia gama de funciones para las actuaciones de DJ, incluido PRO DJ LINK, WAVE y BEAT SYNC, sino que también tiene una alta calidad de sonido, un diseño de alta fiabilidad y una disposición del panel que permite una alta operabilidad, ofreciendo por lo tanto una asistencia imprescindible para todo tipo de actuaciones de DJ.

Adquisición del Manual de instrucciones de esta unidad

Las diversas instrucciones se proveen algunas veces como archivos en formato PDF. Para ver archivos en formato PDF, deberá instalarse Adobe® Reader®.

1 Inicie un navegador de Web en el ordenador y acceda al sitio de asistencia Pioneer DJ de abajo.

<http://pioneerdj.com/support/>

2 En el sitio de asistencia Pioneer DJ, haga clic en [Manuals] bajo [CDJ-2000NXS2].

3 Haga clic en el idioma necesario de la página de descarga.

La descarga del manual de instrucciones empieza.

Contenido de la caja

- Cable de alimentación
- Cable de audio
- Cable LAN
- Pasador de expulsión a la fuerza del disco (colocado en la parte inferior del producto)
- Manual de instrucciones (Guía de inicio rápido) (este documento)
- Tarjeta de garantía

Preparación del software

El software de administración de música rekordbox y el software controlador no están incluidos.

Para utilizar rekordbox y el software del controlador, acceda al sitio de rekordbox y al sitio de asistencia Pioneer DJ y descargue el software. En este manual de instrucciones, a la versión del rekordbox para Mac/Windows se le llama "rekordbox (Mac/Windows)". "rekordbox" se usa para indicar simultáneamente las versiones del rekordbox (Mac/Windows) y del rekordbox (iOS/Android), y para consultar directamente las funciones del rekordbox.

- El usuario es responsable de preparar el ordenador, los aparatos de la red y otros elementos que se usan en el ambiente de Internet y que son necesarios para conectar a Internet.

Acerca de rekordbox

rekordbox es un software compuesto que permite la gestión de pistas y actuaciones de DJ.

Se pueden lograr excelentes actuaciones de DJ utilizando los archivos de música gestionados por rekordbox junto con esta unidad.

❖ Adquisición de rekordbox (Mac/Windows)

1 Abra su navegador Web y entre en el sitio rekordbox. <http://rekordbox.com/>

2 Haga clic en [Descarga] desde el sitio de rekordbox y descargue rekordbox de la página de descargas.

- Para obtener información acerca del rekordbox (Mac/Windows), consulte el sitio de asistencia indicado más arriba.

❖ Acerca de rekordbox (iOS/Android)

Las pistas administradas por rekordbox se pueden reproducir conectando el dispositivo móvil en el que esté instalado rekordbox (iOS/Android) mediante USB. Para conocer los dispositivos compatibles, consulte el sitio web de Pioneer DJ (<http://pioneerdj.com/support/>).

- Para conocer detalles de la instalación del rekordbox (iOS/Android), consulte el sitio Web de Pioneer (<http://rekordbox.com/>).

Acerca del software controlador

❖ Software controlador de audio (Windows)

- Este software controlador es un controlador ASIO exclusivo que se usa para enviar señales de audio desde el ordenador.
- Cuando se usa Mac OS X no es necesario instalar el software controlador.

❖ Software controlador de conexión USB (LINK Export) para rekordbox (Mac/Windows)

- El software controlador es un controlador dedicado para conectar esta unidad y rekordbox (Mac/Windows) mediante USB (LINK Export).
 - ➔ Para conocer detalles de la conexión USB (LINK Export), consulte el manual de instrucciones de este producto.

❖ Obtención del software controlador

1 Inicie un navegador de Web en el ordenador y acceda al sitio de asistencia Pioneer DJ de abajo.

<http://pioneerdj.com/support/>

2 Haga clic en [Software Download] bajo [CDJ-2000NXS2] en el sitio de asistencia Pioneer DJ.

3 Haga clic en el icono del software controlador para descargar el software controlador desde la página de descarga.

- Para obtener más información sobre cómo instalar el software controlador, visite el sitio de asistencia Pioneer DJ.

Medio utilizable

Para conocer detalles, vea el manual de instrucciones de este producto.

Acerca de los discos

Esta unidad puede reproducir CD de música (CD-DA) y archivos de música grabados en CD-ROM (CD-R y CD-RW) o DVD-ROM (DVD-R, DVD-RW, DVD-R DL, DVD+R, DVD+RW y DVD+R DL).

- Los discos de 8 cm no se pueden reproducir.

Acerca de las tarjetas de memoria SD

Esta unidad puede reproducir archivos de música grabados en tarjetas de memoria SD que cumplen con el estándar SD se pueden reproducir.

Tarjetas compatibles ^[1]	<ul style="list-style-type: none">• Tarjetas de memoria SD: 8 MB – 2 GB• Tarjetas de memoria SDHC: 4 GB – 32 GB
Formatos compatibles	<ul style="list-style-type: none">• Tarjetas de memoria SD: FAT12 y FAT16 (cumpliendo con el estándar SD)• Tarjetas de memoria SDHC: FAT32 (cumpliendo con el estándar SD)

[1] CPRM no es compatible.

Acerca de los aparatos USB

Esta unidad puede reproducir archivos de música grabados en aparatos USB de almacenamiento en masa USB (discos duros externos, aparatos de memoria flash portátiles, aparatos de audio digitales, etc.).

Sistemas de archivo compatibles	FAT16, FAT32 y HFS+ (NTFS no es compatible.)
---------------------------------	--

Las pistas administradas por rekordbox se pueden reproducir conectando el dispositivo móvil en el que esté instalado rekordbox (iOS/Android) mediante USB. Para conocer los dispositivos compatibles, consulte el sitio web de Pioneer DJ (<http://pioneerdj.com/support/>). Para rekordbox (iOS/Android), consulte el sitio de asistencia en línea rekordbox (<http://rekordbox.com/>).

- La información tal como los datos de identificación de discos, los puntos cue, los puntos de bucle y los hot cues se puede guardar en aparatos de almacenamiento (SD, USB).
- Dependiendo del aparato de almacenamiento (SD, USB) que esté usando, el rendimiento puede no ser el esperado.
- El funcionamiento de todos los aparatos de almacenamiento (SD, USB) no está garantizado en esta unidad.

Conexiones

- Asegúrese de desconectar la alimentación y desenchufar el cable de alimentación de la toma de corriente siempre que haga o cambie conexiones.
- Consulte el manual de instrucciones del componente que va a ser conectado.
- Conecte el cable de alimentación después de terminar las conexiones entre los aparatos.

- Cuando se usa un cable LAN para la conexión, asegúrese de usar el cable LAN incluido con este producto o un cable STP (par retorcido blindado).
- No desconecte el cable LAN cuando se están compartiendo archivos de música y/o información usando PRO DJ LINK.

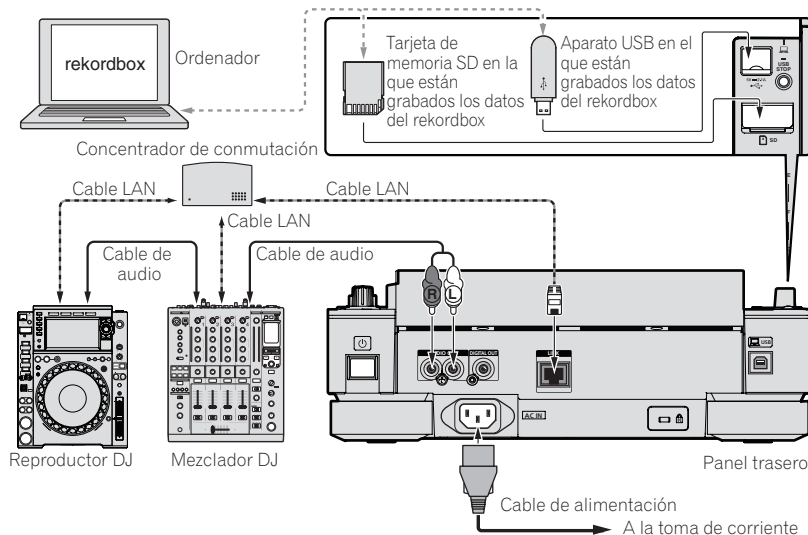
Estilo básico

La reproducción en esta unidad se realiza principalmente usando las pistas preparadas con el rekordbox instalado en un ordenador.

- Para obtener instrucciones sobre el uso de rekordbox, consulte el manual del usuario de rekordbox (Mac/Windows). El manual del usuario de rekordbox (Mac/Windows) se puede ver desde el menú [Ayuda] de rekordbox.
- Además, para los reproductores y mezcladores DJ, usando las conexiones PRO DJ LINK, con cables LAN (CAT5e) se pueden conectar hasta cuatro reproductores compatibles con PRO DJ LINK.
- Dependiendo de la combinación de modelos usados, puede que sea necesario usar un concentrador de conmutación (de venta en tiendas). Use un concentrador de conmutación de 100 Mbps o más. Algunos concentradores de conmutación pueden no funcionar bien.
- Para conectar a un mezclador equipado con un solo puerto LAN se necesita un concentrador de conmutación (de venta en tiendas). Para mezcladores con suficientes puertos LAN para todos los reproductores DJ y ordenadores del sistema, conecte directamente a los puertos LAN del panel trasero del mezclador, sin usar un concentrador.

PRO DJ LINK (SD & USB Export)

- Los archivos de música y los datos del rekordbox se pueden intercambiar con esta unidad usando un aparato de memoria (memoria flash, disco duro, etc.), eliminando la necesidad de llevar el ordenador a la cabina del DJ. La información tal como listas de reproducción, cues, bucles y hot cues establecida con antelación con rekordbox se puede usar para la reproducción.



Avisos

Para sacar el máximo partido de las funciones de administración de archivos de música de rekordbox, sincronice el número de reproductor con el canal del cable de audio conectado en el mezclador.

Si el número del reproductor es diferente, cambie el ajuste [PLAYER No.] en la pantalla [UTILITY].

- ➔ Para conocer instrucciones de cómo cambiar los ajustes en la pantalla [UTILITY], vea el manual de instrucciones de este producto.
- Cuando se conecte un aparato de almacenamiento a esta unidad, [PLAYER No.] se visualizará en gris y no se podrá cambiar. Desconecte el aparato de almacenamiento o el cable LAN para apagar el enlace, y luego cambie el ajuste.

Operación

Conexión de la alimentación

1 Haga todas las conexiones y luego conecte el cable de alimentación en una toma de corriente.

➔ *Conexiones* (pág.6)

2 Pulse el conmutador [⏻].

Los indicadores de esta unidad se encienden y se conecta la alimentación.

Desconexión de la alimentación

Pulse el conmutador [⏻].

La alimentación de esta unidad se desconecta.

- No expulse la tarjeta de memoria SD ni desconecte la alimentación de esta unidad mientras parpadea el indicador de tarjeta de memoria SD. Si lo hace podría eliminar los datos de administración de esta unidad y dañar la tarjeta de memoria SD, imposibilitando la lectura.
- No quite el aparato USB ni desconecte la alimentación de la unidad mientras el indicador USB parpadea. Si no sigue esta recomendación, los datos de administración de la unidad pueden eliminarse. Asimismo, el dispositivo USB puede quedar inutilizable.

Inserción de discos

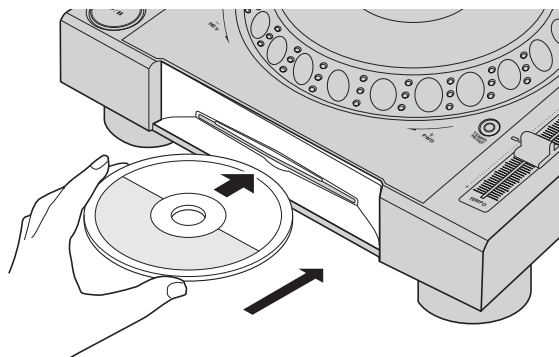
- Esta unidad en un reproductor de un disco. No inserte múltiples discos.
- No meta los discos a la fuerza en la ranura de inserción de discos cuando esta unidad está apagada. Hacerlo podría dañar el disco y causar fallos en el funcionamiento de esta unidad.
- Cuando se introduce o expulsa un disco, no aplique ninguna fuerza al disco en el sentido opuesto a su movimiento. Hacerlo podría dañar el disco o esta unidad.

1 Pulse el conmutador [⏻] para conectar la alimentación de esta unidad.

2 Inserte el disco horizontalmente en la ranura de inserción de discos, con la superficie impresa hacia arriba.

La reproducción empieza después de leerse la información del medio.

- Cuando se carga un disco que contiene archivos de música grabados con una estructura jerárquica, la reproducción empieza desde la pistas de la capa más alta.



- Cuando se activa el cue automático, el disco hace una pausa en la posición de inicio de audio. En este caso, pulse [PLAY/PAUSE▶/II] para iniciar la reproducción.
➔ Para conocer detalles de la función de cue automático, consulte el manual de instrucciones de este producto.

- Si se inserta un disco cuando está conectado un dispositivo de almacenamiento (SD, USB) que previamente se ha conectado a esta unidad u otro reproductor de DJ de Pioneer DJ, se visualiza el número de discos incluyendo la información de disco en la pantalla de la unidad principal durante unos segundos.
➔ Para conocer detalles de la memoria de información de discos, vea el manual de instrucciones de este producto.

Inserción de tarjetas de memoria SD

- No inserte ningún objeto que no sea una tarjeta de memoria SD en la ranura de inserción de tarjeta de memoria SD. Insertar monedas u otros objetos metálicos podría dañar la circuitería interna y causar un fallo en el funcionamiento.
- No inserte ni quite a la fuerza las tarjetas de memoria SD. Hacerlo podría dañar la tarjeta de memoria SD o esta unidad.

1 Pulse el conmutador [⏻] para conectar la alimentación de esta unidad.

2 Abra la puerta de la tarjeta de memoria SD.

3 Inserte la tarjeta de memoria SD.

Inserte la tarjeta de memoria SD verticalmente, con el lado posterior hacia delante y la ranura hacia abajo. Empuje la tarjeta lentamente hacia adentro hasta que se pare.

4 Cierre la puerta de la tarjeta de memoria SD.

Conexión de aparatos USB

1 Pulse el conmutador [⏻] para conectar la alimentación de esta unidad.

2 Conecte el aparato USB en la ranura de inserción del mismo.

Medios de reproducción conectados o insertados en esta unidad

1 Cargue el medio en esta unidad.

2 Pulse el botón del medio correspondiente ([DISC], [SD] o [USB]).

Las pistas o carpetas se visualizan en una lista.

El medio cuyo contenido se visualiza en la pantalla de la unidad principal se puede cambiar.

Botón **[DISC]**: Visualiza el contenido del disco insertado.

Botón **[SD]**: Visualiza el contenido de la tarjeta de memoria SD insertada.

Botón **[USB]**: Visualiza el contenido del aparato USB o portátil conectado.

- Si el aparato de almacenamiento (SD, USB) contiene rekordbox información de librería, la librería del rekordbox se visualizará.
 - ➔ Para conocer instrucciones de cómo navegar por la librería [rekordbox], vea el manual de instrucciones de este producto.

3 Gire el selector giratorio.

Mueva el cursor y seleccione el elemento.



- Pulse el selector giratorio para ir a un nivel inferior en la carpeta. Pulse el botón **[BACK]** para volver al nivel de arriba.
- Cuando el botón **[BACK]** se pulsa más de 1 segundo o cuando se pulsa el botón del medio que está siendo examinado, la visualización se mueve al nivel superior.

4 Seleccione la pista y pulse el selector giratorio.

Cuando se carga la pista, la pantalla cambia a la de reproducción normal.

La pista se carga, la reproducción empieza, y el botón del medio correspondiente parpadea.

- ➔ Para conocer detalles de la pantalla de reproducción normal, consulte el manual de instrucciones de este producto.

Para conocer otras operaciones, vea el manual de instrucciones de este producto.

Información adicional

Solución de problemas

- La operación incorrecta se confunde a menudo con un problema o un fallo de funcionamiento. Si piensa que algo no funciona bien con este componente, verifique los puntos de abajo y las **[FAQ]** para el **[CDJ-2000NXS2]** en el sitio de asistencia Pioneer DJ. <http://pioneerdj.com/support/>
Algunas veces, el problema puede estar en otro componente. Inspeccione los otros componentes y los aparatos eléctricos que esté utilizando. Si no se puede rectificar el problema, pida al servicio de Pioneer autorizado más cercano o a su concesionario que realice el trabajo de reparación.
- Esta unidad puede no funcionar bien debido a la electricidad estática o a otras influencias externas. En este caso, el funcionamiento apropiado se puede restaurar desconectando la alimentación, esperando 1 minuto y volviendo a conectar la alimentación.

Problema	Verificación	Remedio
No se puede expulsar el disco.	¿Está [EJECT/LOAD LOCK] en [LOCK] ?	Pulse el botón [PLAY/PAUSE▶/II] para poner el modo de pausa, y luego pulse el botón [DISC EJECT▲] .
	—	Ponga [EJECT/LOAD LOCK] en [UTILITY] en [UNLOCK] , y luego pulse el botón [DISC EJECT▲] .
	—	Si no funciona el botón [DISC EJECT▲] , inserte el pasador en el agujero de expulsión a la fuerza del disco para expulsar el disco.
La reproducción no empieza cuando se carga el disco.	¿Se puede reproducir el disco o archivo? ¿Está activada la función cue automático?	Vea <i>Medio utilizable</i> en la página 5. Pulse [AUTO CUE] durante un mínimo de 1 segundo para cancelar la función cue automático.
No se puede reproducir un archivo.	¿Está protegido el archivo por derechos de autor (por DRM)?	Los archivos protegidos por derechos de autor no se pueden reproducir.
No se produce sonido, o éste está distorsionado o tiene ruido.	¿Está utilizando bien el mezclador DJ conectado? ¿Está esta unidad cerca de un TV?	Verifique el funcionamiento del mezclador DJ. Apague el TV o instale esta unidad y el TV alejados el uno del otro.
Se produce un ruido alto o se detiene la reproducción con cierto disco.	¿Está rayado el disco? ¿Está sucio el disco?	Los discos rayados no se pueden reproducir. Quite la suciedad del disco.
La información de archivo no se visualiza bien.	¿Está bien ajustado [LANGUAGE] ? ¿No es compatible con esta unidad la información grabada en un idioma?	Ponga [LANGUAGE] en el idioma apropiado. Cuando se crean archivos usando el software DJ, etc., grabe la información en un idioma compatible con esta unidad.
La búsqueda de pistas tarda demasiado tiempo.	¿Está activada la función cue automático? —	La búsqueda de pistas puede tardar algo cuando éstas tienen secciones de silencio largas entre ellas. Si no se puede hacer la búsqueda dentro de 10 segundos se establece un punto cue al comienzo de la pista.
La función de retroceso de cue no funciona.	¿Está establecido el punto cue?	Establezca un punto cue.
La función de reproducción de bucle no funciona.	¿Está establecido el punto cue?	Establezca un punto cue.
La configuración no se guarda en la memoria.	¿Se ha desconectado la alimentación directamente después de cambiar la configuración?	Después de cambiar la configuración, espere un mínimo de 10 segundos antes de desconectar la alimentación.
No se reconoce el aparato USB.	¿Está bien conectado el aparato USB? ¿Está el aparato USB conectado a través de un concentrador USB? ¿Es el aparato USB compatible con esta unidad?	Conecte el aparato firmemente (hasta el fondo). No se pueden usar concentradores USB. Este reproductor es compatible con aparatos de la clase de almacenamiento en masa USB. Este reproductor es compatible con dispositivos móviles en los que está instalado rekordbox (iOS/Android).
	¿Es el formato de archivo compatible con esta unidad? —	Verifique el formato de archivo del aparato USB conectado. Para los formatos de archivo compatibles con esta unidad, vea <i>Acerca de los aparatos USB</i> en la página 5. Desconecte la alimentación y vuelva a conectarla.
Los puntos de cue o de bucle no se guardan en aparatos de almacenamiento (SD, USB).	¿Está intentando guardar más puntos que el límite? ¿Está protegido contra escritura el aparato de almacenamiento (SD, USB)? ¿Hay suficiente espacio libre en el aparato de almacenamiento (SD, USB)?	El máximo número de puntos cue o de bucle que se puede guardar en aparatos de almacenamiento (SD, USB) por disco es 100. Para otros aparatos que no sean discos, el límite es de 10 puntos por pista. Si intenta guardar más puntos que el límite, se visualiza [CUE/LOOPPOINT FULL] y los puntos no se pueden grabar. En este caso, elimine algunos puntos antes de guardar nuevos. Cuando una tarjeta de memoria SD está protegida contra la escritura se visualiza [CARD PROTECTED] y los puntos no se pueden guardar. Cuando un aparato USB está protegida contra la escritura se visualiza [USB FULL] y los puntos no se pueden guardar. Desactive la protección contra escritura y luego guarde los puntos. Si no hay suficiente espacio libre en una tarjeta de memoria SD se visualiza [CARD FULL] y los puntos no se pueden guardar. Si no hay suficiente espacio libre en un aparato USB se visualiza [USB FULL] y los puntos no se pueden guardar. Deje algo de espacio libre y luego guarde los puntos.

Problema	Verificación	Remedio
Los puntos cue o los bucles de las pistas guardadas en un aparato de almacenamiento (SD, USB) no se visualizan.	¿Fue parado correctamente el aparato USB cuando se desconectó la última vez?	Los puntos pueden no visualizarse si la tarjeta de memoria SD/aparato USB se retira sin realizar el procedimiento de parada apropiado o si la alimentación de esta unidad está desconectada. Verifique que la tarjeta de memoria SD o el indicador USB esté completamente apagado antes de desconectar los aparatos de almacenamiento (SD, USB) o de desconectar la alimentación de esta unidad.
Cuando se pulsan los botones para llamar al modo de almacenamiento de hot cues o para hacer rebucles, o cuando se mueve la palanca para establecer la reproducción en inversión, la operación no empieza inmediatamente.	¿Está activada la función de cuantización?	Cuando la función de cuantización está activada, la operación empieza desde la posición de punto de compás más próxima desde donde se pulsaron los botones o se movió la palanca. Para iniciar la operación inmediatamente cuando se pulsan los botones o se mueve la palanca, desactive la función de cuantización.
La visualización de la dirección de reproducción no se visualiza en el modo de tiempo restante.	—	Cuando se reproducen archivos grabados en VBR, puede que el aparato no detecte inmediatamente la duración de la pista y que se necesite algo de tiempo para que aparezca la visualización de la dirección de reproducción.
Se necesita mucho tiempo para leer los aparatos de almacenamiento (SD, USB) (aparatos de memoria flash o discos duros).	¿Hay un número grande de carpetas o archivos guardados en el aparato de almacenamiento (SD, USB)?	Cuando haya muchas carpetas o archivos se necesitará algo de tiempo para hacer la carga.
	¿Hay otros archivos que no son de música guardados en el aparato de almacenamiento (SD, USB)?	Cuando se graban en carpetas archivos que no son de música también se necesita tiempo para leerlos. No guarde archivos o carpetas que no sean de música en el aparato USB.
El examen de librería no es posible.	¿Está cargado un medio en el que se ha grabado información de librería?	El modo de examen de librería sólo se establece cuando se cargan medios en los que se ha grabado información de librería. Cuando se carga un medio en el que no se ha grabado información de librería se establece el modo de examen de carpeta.
[HISTORY] no se visualiza.	¿Está conectado el aparato de almacenamiento (SD, USB)?	La función [HISTORY] sólo se puede usar en el reproductor DJ en el que está conectado el aparato de almacenamiento (SD, USB).
No se visualiza nada.	¿Está activada la función de espera automática?	Esta unidad sale de fábrica con la función de espera automática activada. Si no quiere usar la función de espera automática, ponga [AUTO STANDBY] en [OFF].
La escala no se visualiza.	¿Dura la pista más de 15 minutos?	La escala no se visualiza para pistas cuyo tiempo de reproducción es superior a 15 minutos.
PRO DJ LINK no funciona bien.	¿Están bien puestos los números del reproductor?	Ponga [PLAYER No.] en [AUTO] o en otro número diferente del que está actualmente puesto.
	¿Está bien conectado el cable LAN?	Conecte bien el cable LAN al terminal [LINK].
	¿Está conectada la alimentación del concentrador de conmutación?	Conecte la alimentación del concentrador de conmutación.
	¿Está un aparato innecesario conectado al concentrador de conmutación?	Desconecte el aparato innecesario del concentrador de conmutación.
Cuando toca la pantalla no obtiene ninguna respuesta o la respuesta no es la correcta. La respuesta obtenida procede de un lugar diferente a la ubicación seleccionada.	Se han alterado los ajustes de calibración de la pantalla táctil.	Ajuste la pantalla táctil a través de los ajustes [TOUCH DISPLAY CALIBRATION] de la pantalla [UTILITY].

Mensaje de error

Cuando esta unidad no funciona normalmente, aparece un código de error en la pantalla. Consulte la tabla de abajo y tome las medidas indicadas. Si se visualiza un código de error que no se muestra en la tabla de abajo, o si el mismo código de error se visualiza de nuevo después de tomar la medida indicada, póngase en contacto con la tienda donde compró el aparato.

Código de error	Tipo de error	Descripción del error	Causa y medidas a tomar
E-7201	CANNOT READ DISC	No se pueden leer los datos del TOC.	<ul style="list-style-type: none"> El disco está agrietado. → Reemplace el disco. El disco está sucio. → Limpie el disco.
E-8301	CANNOT READ DISC	Se carga un disco que no se puede reproducir normalmente.	<ul style="list-style-type: none"> Si la operación en normal con otros discos, el problema está en el disco.
E-8302	CANNOT PLAY TRACK(****)	Los datos de las pistas (archivos) del disco o del aparato de almacenamiento (SD, USB) no se pueden leer bien.	<ul style="list-style-type: none"> Los datos de las pistas (archivos) pueden estar corrompidos. → Verifique si las pistas (archivos) se pueden reproducir en otro reproductor, etc. capaz de reproducir los mismos formatos que esta unidad.
E-8304 E-8305	UNSUPPORTED FILE FORMAT	Se cargan archivos de música que no se puede reproducir normalmente.	El formato está equivocado. → Emplee archivos de música que estén en el formato correcto.
E-9101	MECHANICAL TIMEOUT	Error mecánico (final de intervalo) durante la carga o expulsión de un disco.	Visualizado cuando la operación del mecanismo no termina dentro del tiempo especificado.

Limpieza de la pantalla táctil

No utilice disolventes, ácidos o álcalis orgánicos para limpiar la superficie de la pantalla táctil. Pase un paño húmedo o empapado con detergente neutro y perfectamente escurrido.

Acerca de las marcas de fábrica y marcas registradas

- Pioneer DJ es una marca comercial de PIONEER CORPORATION y está bajo licencia. rekordbox y KUVO son marcas comerciales o marcas registradas de Pioneer DJ Corporation.
- Windows es una marca registrada de Microsoft Corporation en los Estados Unidos y en otros países.
- Adobe y Reader son marcas registradas o marcas de fábrica de Adobe Systems Incorporated en los Estados Unidos y/o en otros países.
- ASIO es una marca de fábrica de Steinberg Media Technologies GmbH.
- El logotipo de SD es una marca comercial de SD-3C, LLC.



- El logotipo de SDHC es una marca comercial de SD-3C, LLC.



- **DVD** es una marca registrada de DVD Format/Logo Licensing Corporation.
- "Made for iPod", "Made for iPhone" y "Made for iPad" significan que un accesorio electrónico ha sido diseñado para ser conectado específicamente a un iPod, iPhone o iPad, respectivamente, y ha sido homologado por quien lo desarrolló para cumplir con las normas de funcionamiento de Apple. Apple no es responsable del funcionamiento de este aparato ni de que cumpla con las normas de seguridad y reguladoras. Tenga presente que el empleo de este accesorio con un iPod, iPhone o iPad puede afectar la operación inalámbrica.

Made for



iPod



iPhone



iPad

- Apple, iPad, iPhone, iPod, iPod touch, iTunes, Mac, Mac OS y OS X son marcas comerciales de Apple Inc., registradas en los EE. UU. y en otros países.
- iOS es una marca de fábrica de la que Cisco tiene el derecho de marca en los EE.UU. y en otros países.
- Android™ es una marca de fábrica de Google Inc.
- Wi-Fi es una marca registrada de Wi-Fi Alliance.
- Los nombres de compañías y productos mencionados aquí son marcas comerciales o marcas comerciales registradas de sus respectivos propietarios.

- This software is based in part on the work of the Independent JPEG Group.
El software de esta unidad usa en parte software del Grupo JPEG Independiente.

Acerca del uso de archivos MP3

Este producto cuenta con licencia para ser usado sin fines de lucro. Este producto no tiene licencia para ser usado con fines comerciales (con fines de lucro) como, por ejemplo, en emisiones (terrestres, por satélite, por cable u otros tipos de emisiones), streaming en Internet, Intranet (un red corporativa) u otros tipos de redes, ni para distribuir información electrónica (servicio de distribución de música digital en línea). Para tales usos necesita adquirir las licencias correspondientes. Para conocer detalles, visite <http://www.mp3licensing.com>.

Apple Lossless Audio Codec

Copyright © 2011 Apple Inc. All rights reserved.
Licensed under the Apache License, Version 2.0. You may obtain a copy of the License at <http://www.apache.org/licenses/LICENSE-2.0>

Se proporcionan traducciones de la licencia de software en el sitio siguiente. Esas traducciones no son documentos oficiales. Consulte el original en inglés.

Copyright © 2011 Apple Inc. All rights reserved.

Licencia bajo los términos de la Apache License, Versión 2.0. Puede obtener una copia de la Licencia en <http://www.apache.org/licenses/LICENSE-2.0>

FLAC

FLAC Decoder

Copyright © 2000-2009 Josh Coalson

Copyright © 2011-2014 Xiph.Org Foundation

Redistribution and use in source and binary forms, with or without modification, are permitted provided that the following conditions are met:

- Redistributions of source code must retain the above copyright notice, this list of conditions and the following disclaimer.
- Redistributions in binary form must reproduce the above copyright notice, this list of conditions and the following disclaimer in the documentation and/or other materials provided with the distribution.
- Neither the name of the Xiph.org Foundation nor the names of its contributors may be used to endorse or promote products derived from this software without specific prior written permission.

THIS SOFTWARE IS PROVIDED BY THE COPYRIGHT HOLDERS AND CONTRIBUTORS "AS IS" AND ANY EXPRESS OR IMPLIED WARRANTIES, INCLUDING, BUT NOT LIMITED TO, THE IMPLIED WARRANTIES OF MERCHANTABILITY AND FITNESS FOR A PARTICULAR PURPOSE ARE DISCLAIMED. IN NO EVENT SHALL THE FOUNDATION OR CONTRIBUTORS BE LIABLE FOR ANY DIRECT, INDIRECT, INCIDENTAL, SPECIAL, EXEMPLARY, OR CONSEQUENTIAL DAMAGES (INCLUDING, BUT NOT LIMITED TO, PROCUREMENT OF SUBSTITUTE GOODS OR SERVICES; LOSS OF USE, DATA, OR PROFITS; OR BUSINESS INTERRUPTION) HOWEVER CAUSED AND ON ANY THEORY OF LIABILITY, WHETHER IN CONTRACT, STRICT LIABILITY, OR TORT (INCLUDING NEGLIGENCE OR OTHERWISE) ARISING IN ANY WAY OUT OF THE USE OF THIS SOFTWARE, EVEN IF ADVISED OF THE POSSIBILITY OF SUCH DAMAGE.

Cuidados para los derechos de autor

rekordbox restringe la reproducción y duplicación del contenido de música protegido por derechos de autor.

- Cuando hay datos codificados, etc. para proteger los derechos de autor embebidos en el contenido de música, puede no ser posible utilizar el programa normalmente.
- Cuando el rekordbox detecta datos codificados, etc. para proteger los derechos de autor embebidos en el contenido de música, el proceso (reproducción, lectura, etc.) puede parar.

Las grabaciones que usted ha hecho son para su uso personal y, según las leyes de los derechos de autor, no se pueden usar sin el consentimiento del propietario de tales derechos.

- La música grabada de CD, etc., está protegida por las leyes de los derechos de autor de países individuales, y también por tratados internacionales. La persona que ha grabado la música es la responsable de asegurar que ésta se use legalmente.
- Cuando maneje música descargada de Internet, etc., la persona que la haya descargado será la responsable de asegurar que ésta se use según el contrato concluido con el sitio de la descarga.

Especificaciones

Requisitos de potencia CA 110 V a 240 V, 50 Hz/60 Hz
Consumo de energía 41 W
Consumo de energía (modo de espera) 0,4 W
Peso de la unidad principal 5,7 kg
Dimensiones máximas 320 mm (An) × 113,2 mm (Al) × 414,4 mm (Pr)
Temperatura de funcionamiento tolerable +5 °C a +35 °C
Humedad de funcionamiento tolerable 5 % a 85 % (sin condensación)

Salida de audio analógico (AUDIO OUT L/R)

Terminal de salida Terminal RCA
Nivel de salida 2,0 Vrms (1 kHz)
Respuesta de frecuencia 4 Hz a 40 kHz
Relación señal/ruido 115 dB
Distorsión armónica total 0,0018 %

Salida de audio digital (DIGITAL OUT)

Terminal de salida Terminal RCA
Tipo de salida Digital coaxial (S/PDIF)
Nivel de salida 0,5 Vp-p (75 Ω)
Formato de salida 44,1 kHz/96 kHz, 24 bits/16 bits

Sección descendente de USB (USB)

Puerto Tipo A
Alimentación 5 V/2,1 A o menos

Sección ascendente de USB (USB)

Puerto Tipo B

LAN (PRO DJ LINK)

Clasificación 100Base-TX

Sección de tarjeta de memoria SD

Sistema de archivos Cumple con "SD Specifications Part 2 File System Specification Version 2.00"
Capacidad máxima de memoria 32 GB

Pantalla principal

Tipo de pantalla Pantalla de cristal líquido TFT de matriz activa (LCD)
Idiomas disponibles 18 idiomas

— Las especificaciones y diseño de este producto están sujetos a cambios sin previo aviso.

- © 2015 Pioneer DJ Corporation. Todos los derechos reservados.



De acordo com a legislação, existe um sistema de recolha separado para os equipamentos eletrónicos fora de uso que requerem tratamento, recuperação e reciclagem apropriados.

Os consumidores dos Estados-membros da UE, da Suíça e da Noruega podem entregar equipamentos eletrónicos fora de uso em determinadas instalações de recolha ou a um retalhista (se adquirirem um equipamento novo similar).

Nos países não mencionados acima, informe-se sobre o método de eliminação correto junto das autoridades locais.

Ao fazê-lo estará a garantir que o produto que já não tem utilidade para si é submetido a processos de tratamento, recuperação e reciclagem adequados, evitando-se assim potenciais efeitos negativos para o ambiente e a saúde humana.

K058b_A1_Pt

CUIDADO

PARA PREVENIR O PERIGO DE CHOQUE ELÉTRICO, NÃO REMOVA A COBERTURA (NEM A PARTE POSTERIOR). NÃO EXISTEM NO INTERIOR PEÇAS REPARÁVEIS PELO UTILIZADOR. A MANUTENÇÃO DEVE SER EFETUADA POR PESSOAL ESPECIALIZADO.

D3-4-2-1-1_B1_Pt

AVISO

Este aparelho não é à prova de água. Para prevenir o perigo de incêndio ou choque elétrico, não coloque perto dele recipientes contendo líquidos (tais como uma jarra ou um vaso de flores) nem o exponha a pingos, salpicos, chuva ou humidade.

D3-4-2-1-3_A1_Pt

AVISO

Este produto está equipado com uma ficha de ligação à terra de três fios - uma ficha que possui um terceiro pino (ligação à terra). Esta ficha apenas encaixa numa tomada do tipo de ligação de terra. Se não conseguir inserir a ficha numa tomada, contacte com um eletricista qualificado para substituir a tomada por uma com ligação à terra. Não descure os procedimentos de segurança dos cabos de ligação à terra.

D3-4-2-1-6_A1_Pt

AVISO

Para prevenir o perigo de incêndio, não coloque fontes de chamas nuas (tais como uma vela acesa) sobre o aparelho.

D3-4-2-1-7a_A1_Pt

CUIDADOS COM A VENTILAÇÃO

Ao instalar o aparelho, certifique-se de que deixa espaço ao seu redor para que a ventilação melhore a dispersão do calor (pelo menos 5 cm atrás e 5 cm de cada lado).

AVISO

As ranhuras e as aberturas da caixa destinam-se a ventilação, para garantir o funcionamento fiável do produto e para evitar o seu sobreaquecimento. Para evitar riscos de incêndio, as aberturas nunca devem ser bloqueadas ou cobertas com coisas (como jornais, toalhas de mesa, cortinas) ou através do funcionamento do equipamento em cima de um tapete grosso ou uma cama.

D3-4-2-1-7b*_A1_Pt

Ambiente de funcionamento


Temperatura e humidade do ambiente de funcionamento:

+5 °C a +35 °C; humidade relativa inferior a 85 % (respiradouros de refrigeração não bloqueados)

Não instale o aparelho num espaço insuficientemente arejado ou em locais expostos a uma humidade elevada ou a luz solar direta (ou a iluminação artificial intensa).

D3-4-2-1-7c*_A1_Pt

CUIDADO

O botão  do aparelho não o desliga completamente da energia fornecida pela tomada CA. Uma vez que o cabo de alimentação serve como o principal dispositivo de desconexão, será necessário desligá-lo da tomada para desligar toda a alimentação. Por isso, verifique se a unidade foi instalada de forma que o cabo de alimentação possa ser facilmente desligado da tomada AC, em caso de acidente. Para prevenir o risco de incêndio, deverá desligar igualmente o cabo de alimentação de energia da tomada CA quando o aparelho não for utilizado durante um período prolongado (por exemplo, durante um período de férias).

D3-4-2-2a*_A1_Pt

Ao utilizar este produto, verifique as informações de segurança indicadas na sua base e na etiqueta do adaptador CA.

D3-4-2-2-4_B1_Pt

AVISO SOBRE O CABO DE ALIMENTAÇÃO

Manuseie o cabo de alimentação através da ficha. Não retire a ficha puxando o cabo e nunca toque no cabo de alimentação com as mãos húmidas, pois pode provocar um curto-circuito ou choque elétrico. Não coloque a unidade, um móvel, etc., sobre o cabo de alimentação nem trilhe o cabo. Nunca faça um nó no cabo nem o amarre a outros cabos. Os cabos de alimentação devem ser encaminhados de modo a não serem pisados. Um cabo de alimentação danificado pode provocar um incêndio ou um choque elétrico. Verifique periodicamente o cabo de alimentação. Quando estiver danificado, solicite um cabo de alimentação de substituição junto do seu revendedor ou centro de assistência.

S002*_Pt

AVISO

Guarde as peças pequenas fora do alcance das crianças. Se forem engolidas acidentalmente, contacte imediatamente um médico.

D41-6-4_A1_Pt

Este produto está em conformidade com os regulamentos de ruído eletromagnético quando ligado a outro equipamento através de fichas e cabos blindados. Utilize apenas os cabos de ligação de acessórios fornecidos.

D44-8-2_A1_Pt

CUIDADO

Este é um produto "laser" de classe 1 de acordo com a norma de Segurança de Equipamentos Laser IEC 60825-1:2007.

PRODUTO LASER CLASSE 1

D58-5-2-2a_A1_Pt

Condensação

Poderá haver formação de gotículas de água (condensação) internamente (nas peças operacionais e lente) durante o Inverno, por exemplo, se a unidade for levada rapidamente de um lugar frio para uma sala aquecida ou se a temperatura ambiente da sala onde o aparelho se encontra subir rapidamente (através de aquecimento, etc.). A unidade não irá funcionar corretamente e não poderá ser reproduzida com condensação no interior. Deixe a unidade repousar durante 1 a 2 horas à temperatura ambiente (este tempo depende das condições da condensação) sem ligar a alimentação. As gotículas de água irão evaporar-se e será possível usar a função de reprodução da unidade. A condensação pode ocorrer no Verão, assim como se a unidade for exposta a vento direto proveniente de um aparelho de ar condicionado, etc. Se isso acontecer, desloque a unidade para uma localização diferente.

S005b_A1_Pt

Antes de começar

Como ler este manual

Obrigado por adquirir este produto da Pioneer DJ. Certifique-se de que lê a parte inferior deste panfleto e as instruções de funcionamento! Ambos os documentos incluem informações importantes que deve compreender antes de utilizar este produto. Após terminar de ler as instruções, coloque-as num local seguro para futura referência.

- Para obter instruções sobre a aquisição das instruções de funcionamento, consulte *Adquirir o Manual de instruções desta unidade* (pág. 4).

Características

Esta unidade é um leitor múltiplo para DJs profissionais que oferece uma vasta gama de funções, durabilidade e funcionalidade necessárias para trabalhar em bares e discotecas. É possível realizar atuações de DJ autónomas utilizando faixas guardadas não apenas em dispositivos USB e computadores mas também em dispositivos móveis (smartphones, etc.). Está equipada com várias funções para atuações de DJ, incluindo as funcionalidades PRO DJ LINK, WAVE e BEAT SYNC, e possui também uma elevada qualidade sonora, um design de elevada fiabilidade e uma disposição do painel com elevada funcionalidade, pelo que oferece um suporte avançado para todo o tipo de atuações de DJ.

Adquirir o Manual de instruções desta unidade

Por vezes, algumas instruções são fornecidas sob a forma de ficheiros em formato PDF. O programa Adobe® Reader® deve estar instalado de modo a poder visualizar ficheiros em formato PDF.

1 Inicie um browser Web no computador e aceda ao site de suporte da Pioneer DJ abaixo.

<http://pionerdj.com/support/>

2 No site de suporte da Pioneer DJ, clique em [Manuais] em [CDJ-2000NXS2].

3 Clique no idioma pretendido na página de transferência.

A transferência das instruções de funcionamento inicia.

Conteúdo da embalagem

- Cabo de alimentação
- Cabo de áudio
- Cabo LAN
- Pino de ejeção forçada do disco (instalado na parte inferior do produto)
- Manual de instruções (Guia de início rápido) (Este documento)
- Cartão da garantia

Preparar o software

O software de gestão de música rekordbox e o software controlador não estão incluídos.

Para utilizar o rekordbox e o software controlador, aceda ao site rekordbox e ao site de suporte da Pioneer DJ e transfira o software. Nestas instruções de funcionamento, a versão do rekordbox para Mac/Windows é referida como "rekordbox (Mac/Windows)". "rekordbox" é utilizado para indicar as versões do rekordbox (Mac/Windows) e do rekordbox (iOS/Android) em simultâneo, assim como ao referir directamente as funções do rekordbox.

- O utilizador é responsável por preparar o computador, dispositivos de rede ou outros elementos do ambiente de utilização da Internet necessários para efetuar uma ligação à Internet.

Sobre o rekordbox

O rekordbox é um software composto que permite a gestão de faixas e as atuações de DJ.

É possível atingir um excelente desempenho de DJ utilizando os ficheiros de música geridos pelo rekordbox em conjunto com esta unidade.

❖ Adquirir o rekordbox (Mac/Windows)

1 Abra o navegador Web no seu computador e aceda ao site rekordbox.

<http://rekordbox.com/>

2 Clique em [Download] no site rekordbox e transfira o rekordbox a partir da página de transferência.

- Para questões relativas ao rekordbox (Mac/Windows), consulte o site de suporte indicado acima.

❖ Sobre o rekordbox (iOS/Android)

As faixas geridas pelo rekordbox podem ser reproduzidas ligando o dispositivo móvel no qual o rekordbox (iOS/Android) está instalado via USB. Para saber quais são os dispositivos suportados, consulte o site Web da Pioneer DJ (<http://pionerdj.com/support/>).

- Para obter informações sobre como instalar o rekordbox (iOS/Android), consulte o site Web da Pioneer (<http://rekordbox.com/>).

Acerca do software controlador

❖ Software de controlo de áudio (Windows)

- Este software de controlo é um controlador ASIO exclusivo para emitir sinais de áudio a partir do computador.
- Não é necessário instalar o software de controlo ao utilizar Mac OS X.

❖ Software de controlo da ligação USB (LINK Export) para rekordbox (Mac/Windows)

- O software de controlo é um controlador dedicado para ligar esta unidade e o rekordbox (Mac/Windows) via USB (LINK Export).
 - Para obter informações sobre a ligação USB (LINK Export), consulte as instruções de funcionamento deste produto.

❖ Obter o software de controlo

1 Inicie um browser Web no computador e aceda ao site de suporte da Pioneer DJ abaixo.

<http://pionerdj.com/support/>

2 Clique em [Software Download] em [CDJ-2000NXS2] no site de suporte da Pioneer DJ.

3 Clique no ícone do software controlador para o transferir a partir da página de transferência.

- Para obter informações sobre a instalação do software controlador, consulte o site de suporte da Pioneer DJ.

Suportes que podem ser utilizados

Para obter mais informações, consulte as instruções de funcionamento deste produto.

Acerca dos discos

Esta unidade pode reproduzir CDs de música (CD-DA) e ficheiros de música gravados em CD-ROMs (CD-Rs e CD-RWs) ou DVD-ROMs (DVD-Rs, DVD-RWs, DVD-R DLs, DVD+Rs, DVD+RWs e DVD+R DLs).

- Não é possível reproduzir discos de 8 cm.

Acerca dos cartões de memória SD

Esta unidade pode reproduzir ficheiros de música gravados em cartões de memória SD de acordo com as normas SD.

Cartões suportados ^[1]	<ul style="list-style-type: none">• Cartões de memória SD: 8 MB – 2 GB• Cartões de memória SDHC: 4 GB – 32 GB
Formatos compatíveis	<ul style="list-style-type: none">• Cartões de memória SD: FAT12 e FAT16 (em conformidade com as normas SD)• Cartões de memória SDHC: FAT32 (em conformidade com as normas SD)

[1] Formato CPRM não suportado.

Acerca dos dispositivos USB

Esta unidade pode reproduzir ficheiros de música gravados em dispositivos USB do tipo armazenamento de massa USB (discos rígidos externos, dispositivos portáteis de memória flash, etc.).

Sistemas de ficheiros suportados FAT16, FAT32 e HFS+ (NTFS não suportado.)

As faixas geridas pelo rekordbox podem ser reproduzidas ligando o dispositivo móvel no qual o rekordbox (iOS/Android) está instalado via USB. Para saber quais são os dispositivos suportados, consulte o site Web da Pioneer DJ (<http://pioneerdj.com/support/>). Para informações sobre o rekordbox (iOS/Android), consulte o site de suporte online rekordbox (<http://rekordbox.com/>).

- Informações como os dados de identificação do disco, cue points, loop points e hot cues podem ser armazenadas em dispositivos de armazenamento (SD, USB).
- Dependendo do dispositivo de armazenamento (SD, USB) que está a utilizar, o desempenho pode ser inferior ao esperado.
- O funcionamento de todos os dispositivos de armazenamento (SD, USB) não é garantido nesta unidade.

Ligações

- Certifique-se de desligar a energia e desligar o fio da tomada sempre que fizer ou mudar as ligações.
- Consulte as instruções de funcionamento do componente a ligar.
- Ligue o fio elétrico depois de terminar de fazer todas as ligações entre os dispositivos.

- Quando utilizar um cabo LAN para efetuar a ligação, certifique-se de que utiliza o cabo LAN incluído com este produto ou um cabo STP (par trançado blindado).
- Não desligue o cabo LAN quando estiverem a ser partilhados ficheiros de música e/ou informações utilizando a função PRO DJ LINK.

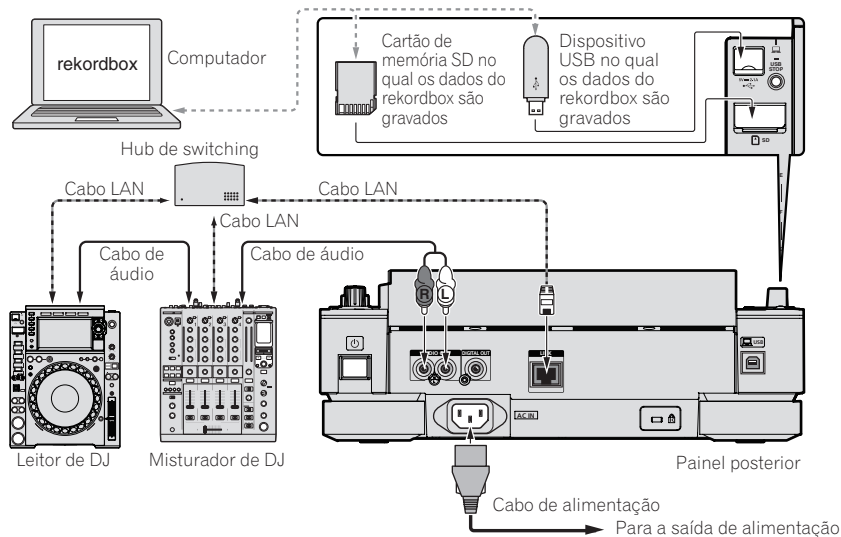
Estilo básico

A reprodução nesta unidade é efetuada utilizando principalmente faixas preparadas através do rekordbox instalado num computador.

- Para instruções sobre o funcionamento do rekordbox, consulte o manual do utilizador do rekordbox (Mac/Windows). O manual do utilizador do rekordbox (Mac/Windows) pode ser visualizado a partir do menu [Ajuda] do rekordbox.
- Além disso, relativamente a leitores de DJ e misturadores de DJ, podem ser ligados até quatro leitores compatíveis com PRO DJ LINK através de cabos LAN (CAT5e) utilizando ligações PRO DJ LINK.
- Pode ser necessário um hub de switching (comercializado ao público), dependendo da combinação de modelos utilizados. Utilize um hub de switching de 100 Mbps ou superior. Alguns hubs de switching podem não funcionar corretamente.
- É necessário um hub de switching (comercializado ao público) para ligar a um misturador equipado com apenas uma porta LAN. Para misturadores com portas LAN suficientes para todos os leitores de DJ e computadores no sistema, ligue diretamente às portas LAN no painel posterior do misturador sem utilizar um hub.

PRO DJ LINK (Exportação SD e USB)

- Os dados e ficheiros de música do rekordbox podem ser transferidos desta unidade utilizando um dispositivo de memória (memória flash, disco rígido, etc.), eliminando a necessidade da existência de um computador na cabine de DJ. Informações como listas de reprodução, cues, loops e hot cues definidas previamente através do rekordbox podem ser utilizadas para reprodução.



Cuidados

Para maximizar a utilização das funções de gestão de música do rekordbox, faça coincidir o número do leitor com o canal do cabo de áudio introduzido no misturador.

Se o número do leitor for diferente, altere a definição [PLAYER No.] no ecrã [UTILITY].

➤ Para obter instruções sobre alterar as definições no ecrã [UTILITY], consulte as instruções de funcionamento deste produto.

- Quando um dispositivo de armazenamento está ligado a esta unidade, o [PLAYER No.] é exibido a cinzento e não pode ser alterado. Desligue o dispositivo de armazenamento ou o cabo LAN para desativar a ligação e, em seguida, altere a definição.

Funcionamento

Ligar a alimentação

1 Efetue todas as ligações e, em seguida, ligue o cabo de alimentação a uma tomada.

➔ *Ligações* (pág.6)

2 Prima o interruptor [⏻].

Os indicadores da unidade acendem-se e a alimentação é ligada.

Desligar a alimentação

Prima o interruptor [⏻].

Desliga a alimentação da unidade.

- Não retire o cartão de memória SD nem desligue a alimentação da unidade enquanto o indicador do cartão de memória SD está a piscar. Isso pode eliminar os dados de gestão da unidade e danificar o cartão de memória SD, impossibilitando a sua leitura.
- Não remova o dispositivo USB nem desligue a unidade enquanto o indicador USB estiver a piscar. Os dados de gestão da unidade poderão ser eliminados. O dispositivo USB poderá também tornar-se ilegível.

Introduzir discos

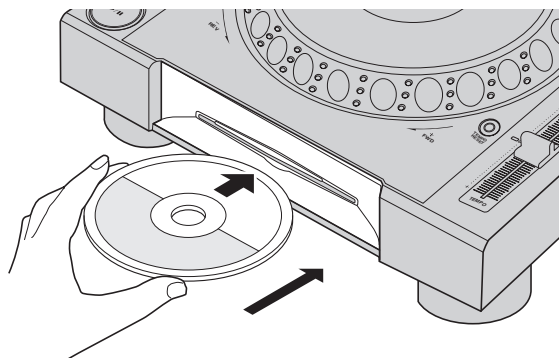
- Esta unidade é um leitor de um disco. Não introduza vários discos.
- Não force a introdução de discos na respetiva ranhura quando a alimentação da unidade está desligada. Isso pode danificar o disco e provocar a avaria desta unidade.
- Quando o disco está a ser retirado ou ejetado, não aplique força no disco na direção oposta ao seu movimento. Isso pode danificar o disco ou a unidade.

1 Prima o interruptor [⏻] para ligar a alimentação da unidade.

2 Introduza o disco horizontalmente na ranhura de introdução do disco com a superfície impressa virada para cima.

A reprodução inicia após a leitura das informações do suporte.

- Quando é carregado um disco com ficheiros de música gravados numa estrutura hierárquica, a reprodução inicia a partir das faixas na camada superior.



- Quando a função cue automático está ligada, o disco é colocado em pausa na posição de início de áudio. Nesse caso, prima [PLAY/PAUSE ▶/II] para iniciar a reprodução.
➔ Para obter informações sobre a função de cue automático, consulte as instruções de funcionamento do produto.
- Se introduzir um disco com um dispositivo de armazenamento (SD, USB) previamente ligado a esta unidade ou se ligar outro leitor de DJ

da Pioneer DJ, o número de discos e as informações sobre os discos são exibidos durante alguns segundos no visor principal da unidade.

- ➔ Para obter mais informações sobre a memória de informações do disco, consulte as instruções de funcionamento deste produto.

Introduzir cartões de memória SD

- Não introduza quaisquer objetos que não cartões de memória SD na ranhura de inserção do cartão de memória SD. A introdução de moedas ou de outros objetos de metal pode danificar os circuitos internos, provocando uma avaria.
- Não introduza nem retire cartões de memória SD de forma forçada. Isso pode danificar o cartão de memória SD ou esta unidade.

1 Prima o interruptor [⏻] para ligar a alimentação da unidade.

2 Abra a porta do cartão de memória SD.

3 Introduza o cartão de memória SD.

Introduza o cartão de memória SD na vertical, com o lado posterior virado para a frente e o entalhe virado para baixo. Empurre lentamente o cartão até parar.

4 Feche a porta do cartão de memória SD.

Ligar dispositivos USB

1 Prima o interruptor [⏻] para ligar a alimentação da unidade.

2 Ligue o dispositivo USB à ranhura de inserção de dispositivos USB.

Reproduzir suportes ligados ou introduzidos na unidade

1 Carregue o suporte na unidade.

2 Prima o respetivo botão do suporte ([DISC], [SD] ou [USB]).

As faixas ou pastas são exibidas numa lista.

O suporte cujo conteúdo é exibido no visor principal da unidade pode ser alternado.

Botão **[DISC]**: Exibe o conteúdo do disco introduzido.

Botão **[SD]**: Exibe o conteúdo do cartão de memória SD introduzido.

Botão **[USB]**: Exibe o conteúdo do dispositivo USB ou móvel ligado.

- Se o dispositivo de armazenamento (SD, USB) possuir informações sobre a biblioteca do rekordbox, a biblioteca do rekordbox é exibida.
 - ➔ Para obter instruções sobre como explorar a biblioteca do rekordbox, consulte as instruções de funcionamento deste produto.

3 Rode o seletor rotativo.

Mova o cursor e seleccione o item.



- Prima o seletor rotativo e desloque-se para um nível inferior na pasta. Prima o botão **[BACK]** para regressar ao nível superior.
- Quando o botão **[BACK]** é premido durante mais de 1 segundo ou o botão do suporte relativo ao meio atualmente explorado é premido, o visor desloca-se para o nível mais elevado.

4 Seleccione a faixa e prima o seletor rotativo.

Quando a faixa é carregada, o ecrã alterna para o ecrã de reprodução normal.

A faixa é carregada, a reprodução inicia e o botão do respetivo suporte pisca.

- ➔ Para obter informações sobre o ecrã de reprodução normal, consulte as instruções de funcionamento do produto.

Para outras operações, consulte as instruções de funcionamento deste produto.

Informações adicionais

Resolução de problemas

- Geralmente confunde-se uma operação incorreta com um problema ou mau funcionamento. Caso ache que existe algo de errado com este componente, consulte os pontos abaixo e as [FAQ] para o [CDJ-2000NXS2] no site de suporte da Pioneer DJ.
<http://pioneerdj.com/support/>
Algumas vezes o problema está relacionado com outro componente. Inspeção os outros componentes e os aparelhos elétricos que estão a ser utilizados. Se o problema não pôde ser resolvido, peça à Assistência Técnica autorizada ou ao revendedor da Pioneer mais próximo para fazer o conserto.
- Esta unidade pode não funcionar corretamente devido a eletricidade estática ou outras influências externas. Neste caso, o funcionamento normal é reposto desligando a alimentação, aguardando 1 minuto e, em seguida, ligando novamente a alimentação.

Problema	Verificar	Solução
Não é possível ejetar o disco.	[EJECT/LOAD LOCK] está definido como [LOCK]?	Prima o botão [PLAY/PAUSE▶/II] para definir o modo de pausa e, em seguida, prima o botão [DISC EJECT▲].
—	—	Defina [EJECT/LOAD LOCK] em [UTILITY] como [UNLOCK] e, em seguida, prima o botão [DISC EJECT▲].
—	—	Se o botão [DISC EJECT▲] não funcionar, introduza um pino no orifício de ejeção forçada do disco e ejeite o disco.
A reprodução não inicia quando o disco é carregado.	O disco ou o ficheiro é reproduzível? A função cue automático está ativada?	Consulte <i>Suportes que podem ser utilizados</i> na página 5. Prima [AUTO CUE] durante pelo menos 1 segundo para cancelar a função cue automático.
O ficheiro não consegue ser reproduzido.	O ficheiro está protegido por DRM?	Ficheiros com direitos de autor (copyright) protegidos não podem ser reproduzidos.
Não é produzido som ou o som é distorcido ou ruidoso.	Está a utilizar corretamente o misturador de DJ ligado? A unidade está colocada perto de uma televisão?	Verifique o funcionamento do misturador de DJ. Desligue a televisão ou instale esta unidade e a televisão afastadas entre si.
É produzido ruído intenso ou a reprodução para quando um determinado disco é reproduzido.	O disco está arranhado? O disco está sujo?	Pode não ser possível reproduzir um disco riscado. Limpe a sujidade do disco.
As informações do ficheiro não são exibidas corretamente.	[LANGUAGE] está definido corretamente? As informações estão gravadas num idioma não suportado por esta unidade?	Defina [LANGUAGE] para o idioma correto. Ao criar ficheiros utilizando software de DJ, etc., grave as informações num idioma suportado por esta unidade.
A operação de pesquisa por faixa demora muito tempo.	A função cue automático está ativada? —	A pesquisa por faixa pode demorar algum tempo quando existem longas secções de silêncio entre faixas. Se a pesquisa por faixa não for possível dentro de 10 segundos, é definido um cue point no início da faixa.
A função cue anterior não funciona.	Está definido um cue point?	Defina um cue point.
A função de reprodução em loop não funciona.	Está definido um cue point?	Defina um cue point.
As definições não são armazenadas na memória.	A alimentação foi desligada diretamente após alterar a definição?	Após alterar as definições, aguarde pelo menos 10 segundos antes de desligar a alimentação.
O dispositivo USB não é reconhecido.	O dispositivo USB está conectado corretamente? O dispositivo USB está conectado num hub USB? O dispositivo USB é suportado por esta unidade?	Conecte bem o dispositivo (conecte-o até o fim). Não podem ser utilizados hubs USB. Este leitor suporta dispositivos USB de armazenamento de massa. Este leitor suporta dispositivos móveis nos quais o rekordbox (iOS/Android) esteja instalado.
—	O formato de ficheiros é suportado por esta unidade?	Verifique o formato de ficheiros do dispositivo USB conectado. Para obter informações sobre os formatos de ficheiros suportados por esta unidade, consulte <i>Acerca dos dispositivos USB</i> na página 5.
—	—	Desligue a alimentação e volte a ligá-la.
Os cue ou loop points não são armazenados em dispositivos de armazenamento (SD, USB).	Está a tentar armazenar mais pontos do que o limite? O dispositivo de armazenamento (SD, USB) está protegido contra escrita? O dispositivo de armazenamento (SD, USB) tem espaço livre suficiente?	O número máximo de cue ou loop points que podem ser armazenados em dispositivos de armazenamento (SD, USB) por disco é 100. Para dispositivos que não discos, o limite máximo é de 10 pontos por faixa. Se tentar armazenar mais pontos do que o limite, [CUE/LOOPPOINT FULL] é exibido e os pontos não podem ser armazenados. Nesse caso, elimine alguns pontos antes de armazenar novos. Quando um cartão de memória SD está protegido contra escrita, [CARD PROTECTED] é exibido e os pontos não podem ser armazenados. Quando um dispositivo USB está protegido contra escrita, [USB FULL] é exibido e os pontos não podem ser armazenados. Desative a proteção contra escrita e, em seguida, armazene os pontos. Se não existir espaço livre suficiente num cartão de memória SD, [CARD FULL] é exibido e os pontos não podem ser armazenados. Se não existir espaço livre suficiente num dispositivo USB, [USB FULL] é exibido e os pontos não podem ser armazenados. Liberte algum espaço e, em seguida, armazene os pontos.

Problema	Verificar	Solução
Os cue ou loop points de faixas armazenadas num dispositivo de armazenamento (SD, USB) não são exibidos.	O dispositivo USB foi parado corretamente antes de ter sido desligado da última vez?	Os pontos podem não ser exibidos se o cartão de memória SD/dispositivo USB for removido sem efetuar o procedimento de paragem correto ou se a alimentação desta unidade for desligada. Verifique se o cartão de memória SD ou indicador USB está completamente desligado antes de desconectar dispositivos de armazenamento (SD, USB) ou desligar a alimentação desta unidade.
Quando são premidos botões para evocar o modo de armazenamento de hot cue ou para efetuar reloop, ou quando a alavanca é deslocada para definir reprodução na direção inversa, a operação não inicia imediatamente.	A função de quantificação está ligada?	Quando a função de quantificação está ligada, a operação inicia a partir da posição de batida mais próxima a partir de onde os botões são premidos ou a alavanca é deslocada. Para iniciar a operação imediatamente quando são premidos botões ou a alavanca é deslocada, desligue a função de quantificação.
O visor do endereço de reprodução não é apresentado no modo de tempo restante.	—	Quando reproduzir ficheiros gravados no formato VBR, pode ocorrer que o conjunto não consiga detetar imediatamente a duração da faixa e que seja necessário algum tempo até que o visor do endereço de reprodução seja exibido.
É necessário muito tempo para ler dispositivos de armazenamento (SD, USB) (dispositivos de memória flash ou discos rígidos).	Existe um número elevado de pastas ou ficheiros armazenados no dispositivo de armazenamento (SD, USB)? Existem ficheiros que não são ficheiros de música guardados no dispositivos de armazenamento (SD, USB)?	Quando existirem muitos ficheiros e pastas, o carregamento poderá demorar algum tempo. Quando estão armazenados ficheiros que não são ficheiros de música em pastas, é necessário algum tempo para serem lidos corretamente. Não armazene ficheiros nem pastas que não são ficheiros de música no dispositivo USB.
Não é possível procurar na biblioteca.	O suporte no qual as informações sobre a biblioteca estão gravadas está carregado?	O modo de exploração da biblioteca apenas é definido quando o suporte no qual as informações sobre a biblioteca estão gravadas é carregado. Quando é carregado um suporte no qual não estão gravadas quaisquer informações sobre a biblioteca, é definido o modo de pesquisa por pasta.
[HISTORY] não é exibido.	O dispositivo de armazenamento (SD, USB) está ligado?	A função [HISTORY] apenas pode ser utilizada no leitor de DJ ao qual o dispositivo de armazenamento (SD, USB) está ligado.
Não são exibidas quaisquer informações.	A função de espera automática está ativada?	Esta unidade é enviada com a função de espera automática. Se não quiser utilizar a função de espera automática, defina [AUTO STANDBY] como [OFF].
A escala não é exibida.	A faixa tem mais de 15 minutos de duração?	A escala não é exibida para faixas cujo tempo de reprodução é superior a 15 minutos.
PRO DJ LINK não funciona corretamente.	Os números de leitor estão definidos corretamente? O cabo LAN está ligado corretamente? A alimentação do hub de switching está ligada?	Defina [PLAYER No.] como [AUTO] ou como um número diferente do número definido atualmente. Ligue corretamente o cabo LAN ao terminal [LINK]. Ligue a alimentação do hub de switching.
	Existe um dispositivo desnecessário ligado ao hub de switching?	Desligue o dispositivo desnecessário do hub de switching.
Não existe resposta ao tocar no ecrã ou a resposta é incorreta. A posição tocada e a posição respondida são diferentes.	O ajuste da calibragem do ecrã tátil é divergente.	Ajuste o ecrã tátil utilizando as definições de [TOUCH DISPLAY CALIBRATION] no ecrã [UTILITY].

Mensagens de erro

Quando esta unidade não funcionar corretamente, é exibido um código de erro no visor. Verifique a tabela abaixo e proceda conforme indicado. Se for exibido um código de erro não apresentado na tabela abaixo, ou se for exibido novamente o mesmo código de erro após efetuar a ação indicada, contacte a loja onde adquiriu o produto.

Código de erro	Tipo de erro	Descrição do erro	Causa e ação
E-7201	CANNOT READ DISC	Não é possível ler os dados da tabela de conteúdos (TOC).	<ul style="list-style-type: none"> O disco está rachado. → Substitua o disco. O disco está sujo. → Limpe o disco.
E-8301	CANNOT READ DISC	Foi carregado um disco que não pode ser reproduzido normalmente.	<ul style="list-style-type: none"> Se o funcionamento for normal com outros discos, o problema reside no disco.
E-8302	CANNOT PLAY TRACK(****)	Os dados da faixa (ficheiro) no disco ou dispositivo de armazenamento (SD, USB) não podem ser lidos corretamente.	<ul style="list-style-type: none"> Os dados da faixa (ficheiro) podem estar corrompidos. → Verifique se a faixa (ficheiro) pode ser reproduzida noutro leitor, etc., capaz de reproduzir os mesmos formatos desta unidade.
E-8304 E-8305	UNSUPPORTED FILE FORMAT	Foram carregados ficheiros de música que não podem ser reproduzidos normalmente.	Formato errado. → Substitua por ficheiros de música no formato correto.
E-9101	MECHANICAL TIMEOUT	Erro mecânico (tempo excedido) durante o carregamento ou ejeção do disco.	Exibido quando o funcionamento do mecanismo não é concluído dentro do tempo especificado.

Limpar o ecrã tátil

Não utilize solventes orgânicos, ácidos ou alcalinos para limpar a superfície do ecrã tátil. Limpe com um pano seco macio ou um pano humedecido com detergente neutro e devidamente espremido.

Acerca de marcas comerciais e marcas comerciais registadas

- Pioneer DJ é uma marca comercial da PIONEER CORPORATION e é utilizada sob licença. rekordbox e KUVU são marcas comerciais ou marcas comerciais registadas da Pioneer DJ Corporation.
- Windows é uma marca comercial registada da Microsoft Corporation nos Estados Unidos da América e noutros países.
- Adobe e Reader são marcas comerciais registadas ou marcas comerciais da Adobe Systems Incorporated nos Estados Unidos da América e/ou noutros países.
- ASIO é uma marca comercial da Steinberg Media Technologies GmbH.
- O logótipo SD é uma marca comercial da SD-3C, LLC.



- O logótipo SDHC é uma marca comercial da SD-3C, LLC.



- **DVD** é uma marca comercial da DVD Format/Logo Licensing Corporation.
- As qualificações "Made for iPod", "Made for iPhone" e "Made for iPad" significam que um acessório eletrónico se destina a ser ligado especificamente a um iPod, iPhone ou iPad e que foi certificado pelo seu fabricante como correspondendo às normas de desempenho da Apple. A Apple não se responsabiliza pelo funcionamento deste dispositivo ou pela sua conformidade com os padrões de segurança e normativos. Tenha em atenção que a utilização deste acessório com o iPod ou iPhone pode afetar o desempenho da função sem fios.



- Apple, iPad, iPhone, iPod, iPod touch, iTunes, Mac, Mac OS e OS X são marcas comerciais da Apple Inc., registadas nos E.U.A. e outros países.
- iOS é uma marca comercial da qual a Cisco detém o direito de marca comercial nos EUA e em determinados países.
- Android™ é uma marca comercial da Google Inc.
- Wi-Fi é uma marca registada da Wi-Fi Alliance.
- Os nomes de empresas e produtos aqui mencionados são marcas comerciais ou marcas comerciais registadas dos seus respetivos proprietários.

- This software is based in part on the work of the Independent JPEG Group.
O software nesta unidade utiliza em parte software do Independent JPEG Group.

Acerca da utilização de ficheiros MP3

Este produto foi licenciado para utilização não lucrativa. Este produto não foi licenciado para fins comerciais (para utilização geradora de lucro), tais como transmissão (terrestre, por satélite, cabo ou outros tipos de difusão), transferência na Internet, Intranet (uma rede empresarial) ou outros tipos de redes ou distribuição de informações eletrónicas (serviço de distribuição de música digital online). Deverá adquirir as respetivas licenças para tais utilizações. Para obter mais informações, consulte <http://www.mp3licensing.com>.

Apple Lossless Audio Codec

Copyright © 2011 Apple Inc. All rights reserved.
Licensed under the Apache License, Version 2.0. You may obtain a copy of the License at <http://www.apache.org/licenses/LICENSE-2.0>

Poderá encontrar traduções da licença do software no site indicado em seguida. Essas traduções não são documentos oficiais.

Consulte o documento original em Inglês.

Copyright © 2011 Apple Inc. All rights reserved.

Licenciado ao abrigo da Licença Apache License, Versão 2.0. Poderá obter uma cópia da Licença em <http://www.apache.org/licenses/LICENSE-2.0>

FLAC

FLAC Decoder

Copyright © 2000-2009 Josh Coalson

Copyright © 2011-2014 Xiph.Org Foundation

Redistribution and use in source and binary forms, with or without modification, are permitted provided that the following conditions are met:

- Redistributions of source code must retain the above copyright notice, this list of conditions and the following disclaimer.
- Redistributions in binary form must reproduce the above copyright notice, this list of conditions and the following disclaimer in the documentation and/or other materials provided with the distribution.
- Neither the name of the Xiph.org Foundation nor the names of its contributors may be used to endorse or promote products derived from this software without specific prior written permission.

THIS SOFTWARE IS PROVIDED BY THE COPYRIGHT HOLDERS AND CONTRIBUTORS "AS IS" AND ANY EXPRESS OR IMPLIED WARRANTIES, INCLUDING, BUT NOT LIMITED TO, THE IMPLIED WARRANTIES OF MERCHANTABILITY AND FITNESS FOR A PARTICULAR PURPOSE ARE DISCLAIMED. IN NO EVENT SHALL THE FOUNDATION OR CONTRIBUTORS BE LIABLE FOR ANY DIRECT, INDIRECT, INCIDENTAL, SPECIAL, EXEMPLARY, OR CONSEQUENTIAL DAMAGES (INCLUDING, BUT NOT LIMITED TO, PROCUREMENT OF SUBSTITUTE GOODS OR SERVICES; LOSS OF USE, DATA, OR PROFITS; OR BUSINESS INTERRUPTION) HOWEVER CAUSED AND ON ANY THEORY OF LIABILITY, WHETHER IN CONTRACT, STRICT LIABILITY, OR TORT (INCLUDING NEGLIGENCE OR OTHERWISE) ARISING IN ANY WAY OUT OF THE USE OF THIS SOFTWARE, EVEN IF ADVISED OF THE POSSIBILITY OF SUCH DAMAGE.

Cuidados a ter relativamente aos direitos de autor

O rekordbox restringe a reprodução e duplicação de conteúdos de música protegidos por direitos de autor.

- Quando existirem dados codificados, etc., para proteger os direitos de autor integrados nos conteúdos de música, pode não ser possível utilizar o programa normalmente.
- Quando o rekordbox deteta que nos conteúdos de música estão integrados dados codificados, etc., para proteger os direitos de autor, o processamento (reprodução, leitura, etc.) pode ser interrompido.

As gravações que fizer são para fruição pessoal e de acordo com as leis de direitos de autor não podem ser utilizadas sem o consentimento do detetor dos direitos de autor.

- A música gravada a partir de CDs, etc., poderá estar protegida por leis de direitos de autor de países individuais, assim como por acordos internacionais. É da inteira responsabilidade da pessoa que gravou a música garantir que é utilizada legalmente.
- Ao manusear músicas transferidas a partir da Internet, etc., é da inteira responsabilidade da pessoa que transferiu a música garantir que é utilizada de acordo com o contrato celebrado com o site a partir do qual fez as transferências.

Especificações

Requisitos de energia.....	CA 110 V a 240 V, 50 Hz/60 Hz
Consumo de energia.....	41 W
Consumo de energia (em espera).....	0,4 W
Peso da unidade principal.....	5,7 kg
Dimensões máximas externas.....	320 mm (L) × 113,2 mm (A) × 414,4 mm (P)
Temperatura operacional tolerada	+5 °C a +35 °C
Humidade operacional tolerada	5 % a 85 % (sem condensação)

Saída de áudio analógica (AUDIO OUT L/R)

Terminais de saída.....	Terminal RCA
Nível de saída	2,0 Vrms (1 kHz)
Frequência de resposta	4 Hz a 40 Hz
Relação sinal/ruído.....	115 dB
Distorção total de harmónicas.....	0,0018 %

Saída de áudio digital (DIGITAL OUT)

Terminais de saída.....	Terminal RCA
Tipo de saída	Digital coaxial (S/PDIF)
Nível de saída	0,5 Vp-p (75 Ω)
Formato de emissão	44,1 kHz/96 kHz, 24 bits/16 bits

Secção USB downstream (USB)

Porta	Tipo A
Fonte de alimentação	5 V/2,1 A ou menos

Secção USB upstream (USB)

Porta	Tipo B
-------------	--------

LAN (PRO DJ LINK)

Classificação.....	100Base-TX
--------------------	------------

Secção do cartão de memória SD

Sistema de ficheiros	Em conformidade com a "Especificações SD, Parte 2, Especificação do Sistema de Ficheiros, Versão 2.00"
Capacidade máx. de memória	32 GB

Visor principal

Tipo de visor.....	Visor de cristais líquidos (LCD) TFT de matriz ativa
Idiomas suportados	18 idiomas
— As especificações e design deste produto estão sujeitos a alterações sem aviso prévio.	

- © 2015 Pioneer DJ Corporation. Todos os direitos reservados.



Если вы желаете утилизировать данное изделие, не выбрасывайте его вместе с обычным бытовым мусором. Существует отдельная система сбора использованных электронных изделий в соответствии с законодательством, которая предполагает соответствующее обращение, возврат и переработку.

Частные клиенты в странах-членах ЕС, в Швейцарии и Норвегии могут бесплатно возвращать использованные электронные изделия в соответствующие пункты сбора или дилеру (при покупке сходного нового изделия).

В странах, не перечисленных выше, для получения информации о правильных способах утилизации обращайтесь в соответствующие учреждения.

Поступая таким образом, вы можете быть уверены в том, что утилизируемый продукт будет соответствующим образом обработан, передан в соответствующий пункт и переработан без возможных негативных последствий для окружающей среды и здоровья людей.

K058b_A1_Ru

ВНИМАНИЕ

ВО ИЗБЕЖАНИЕ ПОРАЖЕНИЯ ЭЛЕКТРИЧЕСКИМ ТОКОМ НЕ СНИМАЙТЕ КРЫШКУ (ИЛИ ЗАДНЮЮ СТЕНКУ). ВНУТРИ НЕ СОДЕРЖАТСЯ ДЕАТЛИ, ПРЕДНАЗНАЧЕННЫЕ ДЛЯ РЕМОНТА ПОЛЬЗОВАТЕЛЕМ. ДЛЯ ОБСЛУЖИВАНИЯ ОБРАТИТЕСЬ К КВАЛИФИЦИРОВАННОМУ СОТРУДНИКУ СЕРВИСНОЙ СЛУЖБЫ.

D3-4-2-1-1_B1_Ru

ПРЕДУПРЕЖДЕНИЕ

Данное оборудование не является водонепроницаемым. Во избежание пожара или поражения электрическим током не помещайте рядом с оборудованием емкости с жидкостями (например, вазы, цветочные горшки) и не допускайте попадания на него капель, брызг, дождя или влаги.

D3-4-2-1-3_A1_Ru

ПРЕДУПРЕЖДЕНИЕ

Данное изделие оснащено трехконтактной вилкой с заземляющим контактом. Эта вилка подходит только к электророзетке, оборудованной заземлением. Если вилку не удастся вставить в розетку, обратитесь к электрику для установки розетки соответствующего типа. Защитную функцию вилки с заземляющим контактом следует использовать обязательно.

D3-4-2-1-6_A1_Ru

ОБЯЗАТЕЛЬНАЯ ВЕНТИЛЯЦИЯ

При установке устройства обеспечьте достаточное пространство для вентиляции во избежание повышения температуры внутри устройства (не менее 5 см сзади и по 5 см слева и справа).

ПРЕДУПРЕЖДЕНИЕ

В корпусе устройства имеются щели и отверстия для вентиляции, обеспечивающие надежную работу изделия и защищающие его от перегрева. Во избежание пожара эти отверстия ни в коем случае не следует закрывать или заслонять другими предметами (газетами, скатертями и шторами) или устанавливать оборудование на толстом ковре или постели.

D3-4-2-1-7b*_A1_Ru

ПРЕДУПРЕЖДЕНИЕ

Во избежание пожара не приближайте к оборудованию источники открытого огня (например, зажженные свечи).

D3-4-2-1-7a_A1_Ru

Условия эксплуатации


Изделие эксплуатируется при следующих температуре и влажности:

+5 °C до +35 °C; влажность менее 85 % (не заслоняйте охлаждающие вентиляторы)

Не устанавливайте изделие в плохо проветриваемом помещении или в месте с высокой влажностью, открытом для прямого солнечного света (или сильного искусственного света).

D3-4-2-1-7c*_A1_Ru

ВНИМАНИЕ

Выключатель  данного устройства не полностью отключает его от электросети. Чтобы полностью отключить питание устройства, вытащите вилку кабеля питания из электророзетки. Поэтому устройство следует устанавливать так, чтобы вилку кабеля питания можно было легко вытащить из розетки в чрезвычайных обстоятельствах. Во избежание пожара следует извлекать вилку кабеля питания из розетки, если устройство не будет использоваться в течение долгого времени (например, если вы уезжаете в отпуск).

D3-4-2-2-2a*_A1_Ru

При использовании данного изделия, прочтите информацию по мерам безопасности на нижней стороне аппарата.

D3-4-2-2-4_B1_Ru

ПРЕДУПРЕЖДЕНИЕ

Храните небольшие детали вне доступа детей. При случайном заглывании, немедленно обращайтесь к врачу.

D41-6-4_A1_Ru

МЕРЫ ПРЕДОСТОРОЖНОСТИ ПРИ ОБРАЩЕНИИ С СЕТЕВЫМ ШНУРОМ

Держите сетевой шнур за вилку. Не вытаскивайте вилку, взявшись за шнур, и никогда не касайтесь сетевого шнура, если Ваши руки влажные, так как это может привести к короткому замыканию или поражению электрическим током. Не ставьте аппарат, предметы мебели и т.д. на сетевой шнур, не зажимайте его. Не завязывайте узлов на шнуре и не связывайте его с другими шнурами. Сетевые шнуры должны лежать так, чтобы на них нельзя было наступить. Поврежденный сетевой шнур может стать причиной возникновения пожара или поразить Вас электрическим током. Время от времени проверяйте сетевой шнур. В случае обнаружения повреждения обратитесь за заменой в ближайший сервисный центр или к Вашему дилеру.

5002*_A1_Ru

Данное изделие соответствует стандартам по электромагнитному шуму, когда он подключен к другому оборудованию через экранированные кабели и коннекторы.

Используйте только поставляемые кабели для подключения аксессуаров.

D44-8-2_A1_Ru

ВНИМАНИЕ

Данное изделие является лазерным изделием класса 1 согласно классификации по Безопасности лазерных изделий, IEC 60825-1:2007.

ЛАЗЕРНЫЙ ПРОДУКТ КЛАСС 1

D58-5-2-2a_A1_Ru

Конденсация

Внутри аппарата (на рабочих деталях или линзе) могут образоваться водяные капли (конденсация) в зимнее время, например, если аппарат был перенесен с холодного места в теплую комнату, или при внезапном повышении температуры в комнате, где установлен аппарат (обогревание, др.). Аппарат не будет срабатывать соответствующим образом и не будет воспроизводиться, пока внутри него имеется конденсация. Оставьте аппарат на 1 или 2 часа при комнатной температуре (хотя в данное время зависит от состояния конденсации) отключенным. Водяные капли испарятся и можно будет управлять аппаратом. Конденсация может происходить также и в летнее время, если аппарат подвергался, например, прямому обдуванию от кондиционера воздух. В таком случае передвиньте аппарат в другое место.

5005b_A1_Ru

Перед началом работы

Как следует читать данное руководство

Благодарим Вас за покупку этого изделия компании Pioneer DJ. Обязательно прочтите данную брошюру и инструкции по эксплуатации! В обеих документациях содержится важная информация, которую требуется изучить до использования данного изделия. По завершению изучения инструкций, храните их в надежном месте для справок в будущем.

- Подробнее о том, как получить инструкции по эксплуатации смотрите *Получение Инструкций по эксплуатации данного аппарата* (стр. 4).

Свойства

Данный аппарат является многофункциональным проигрывателем для профессиональных диджеев с множеством функций, надежностью и работоспособностью, необходимыми для использования на дискотеках и в ночных клубах. Для полноформатных DJ-выступлений можно использовать дорожки не только на устройствах USB и компьютерах, но и на мобильных устройствах (смартфонах и т. п.). Аппарат не только оснащен широким спектром функций для DJ-выступлений, включая PRO DJ LINK, WAVE и BEAT SYNC, но и обеспечивает высокое качество звучания, отличается надежной конструкцией и схемой расположения панели с повышенным удобством для управления, обеспечивая таким образом мощную поддержку для всех типов DJ-выступлений.

Получение Инструкций по эксплуатации данного аппарата

Различные инструкции иногда имеются в виде файлов в формате PDF. Для просмотра файлов в формате PDF требуется установить Adobe® Reader®.

1 Запустите веб-браузер на компьютере и зайдите на сайт поддержки Pioneer DJ ниже.

<http://pioneerdj.com/support/>

2 На сайте поддержки Pioneer DJ щелкните по [Manuals] в [CDJ-2000NXS2].

3 Щелкните по требуемому языку на странице загрузки.

Запускается загрузка инструкций по эксплуатации.

Комплект поставки

- Силовой кабель
- Аудиокабель
- LAN кабель
- Шпилька принудительного извлечения диска (закреплена на нижней части изделия)
- Инструкции по эксплуатации (Краткое руководство пользователя) (этот документ)
- Гарантийный талон

Подготовка программного обеспечения

Программное обеспечение для управления музыкой rekordbox и драйвер не входят в комплект. Требуемое программное обеспечение rekordbox и драйвер можно загрузить на сайте поддержки rekordbox Pioneer DJ. В данных инструкциях по эксплуатации версия rekordbox для Mac/Windows указана как "rekordbox (Mac/Windows)". "rekordbox" используется для обозначения версий rekordbox (Mac/Windows) и rekordbox (iOS/Android) одновременно, а также в случаях непосредственной ссылки на функции rekordbox.

- Пользователь обязан подготовить компьютер, сетевые устройства и другие элементы среды использования Интернет, требующиеся для подключения к Интернет.

О rekordbox

rekordbox – это сложное программное обеспечение, которое открывает возможности управления дорожками и DJ-обработки. Создать высококлассные эффекты DJ-обработки можно за счет управления музыкальными файлами на rekordbox и этом проигрывателе.

❖ Приобретение rekordbox (Mac/Windows)

1 Откройте в браузере на своем компьютере сайт rekordbox.

<http://rekordbox.com/>

2 Нажмите на сайте rekordbox кнопку [Download] и со страницы загрузки загрузите файл rekordbox.

- Для получения информации по rekordbox (Mac/Windows) посетите сайт поддержки, указанный выше.

❖ О rekordbox (iOS/Android)

Дорожки, управление которыми производится с помощью rekordbox, можно воспроизводить, подключив через USB мобильное устройство с установленным на нем rekordbox (iOS/Android). Информацию о поддерживаемых устройствах можно получить на сайте Pioneer DJ (<http://pioneerdj.com/support/>).

- Подробнее об установке rekordbox (iOS/Android) смотрите вебсайт Pioneer (<http://rekordbox.com/>).

О программном драйвере

❖ Драйвер аудио (Windows)

- Данный программный драйвер является эксклюзивным драйвером ASIO для вывода аудиосигналов от компьютера.
- При использовании Mac OS X нет необходимости устанавливать программный драйвер.

❖ Драйвер для подключения через USB (экспорт LINK) для rekordbox (Mac/Windows)

- Драйвер предназначен специально для подключения данного устройства и rekordbox (Mac/Windows) через USB (экспорт LINK).
 - ➔ Подробнее о подключении через USB (экспорт LINK) см. инструкции по эксплуатации к данному изделию.

❖ Как получить драйвер

1 Запустите веб-браузер на компьютере и зайдите на сайт поддержки Pioneer DJ ниже.

<http://pioneerdj.com/support/>

2 Щелкните по [Software Download] в [CDJ-2000NXS2] на сайте поддержки Pioneer DJ.

3 Щелкните по значку драйвера, чтобы загрузить его со страницы загрузки.

- Подробную информацию об установке программного обеспечения драйвера см. на сайте поддержки Pioneer DJ.

Используемые носители

Подробнее, смотрите инструкции по эксплуатации к данному изделию.

О дисках

На данном устройстве можно воспроизводить музыкальные компакт-диски (CD-DA) и аудиофайлы, записанные на CD-ROM (CD-R и CD-RW) или DVD-ROM (DVD-R, DVD-RW, DVD-R DL, DVD+R, DVD+RW и DVD+R DL).

- 8 см диски не могут воспроизводиться.

О картах памяти SD

На данном устройстве можно воспроизводить аудиофайлы, записанные на картах памяти SD, соответствующих стандартам SD.

Поддерживаемые карты ¹	<ul style="list-style-type: none">• Карты памяти SD: 8 МБ – 2 ГБ• Карты памяти SDHC: 4 ГБ – 32 ГБ
Совместимые форматы	<ul style="list-style-type: none">• Карты памяти SD: FAT12 и FAT16 (соответствующие стандартам SD)• Карты памяти SDHC: FAT32 (соответствующие стандартам SD)

¹ CPRM не поддерживается.

Об устройствах USB

На данном устройстве можно воспроизводить аудиофайлы, сохраненные на устройствах памяти USB (внешние жесткие диски, переносные устройства с флэш-памятью и т. д.).

Поддерживаемые файловые системы	FAT16, FAT32 и HFS+ (NTFS не поддерживается.)
---------------------------------	---

Дорожки, управление которыми производится с помощью rekordbox, можно воспроизводить, подключив через USB мобильное устройство с установленным на нем rekordbox (iOS/Android). Информацию о поддерживаемых устройствах можно получить на сайте Pioneer DJ (<http://pioneerdj.com/support/>). Информацию о rekordbox (iOS/Android) см. на сайте поддержки rekordbox (<http://rekordbox.com/>).

- На устройствах хранения (SD, USB) можно сохранить такую информацию как идентификационные данные диска, точки меток, точки петлей и метки быстрого доступа.
- В зависимости от используемого устройства хранения (SD, USB) срабатывание может и не происходить.
- Не гарантируется срабатывание для всех устройств хранения (SD, USB) на данном аппарате.

Подключения

- При выполнении или изменении подключений, обязательно отключите питание и отсоедините силовой кабель от розетки.
- Смотрите инструкции по эксплуатации к подключаемому компоненту.
- После завершения всех подключений между устройствами подключите силовой кабель.

- Если для подключения используется LAN кабель, то следует использовать поставляемый с данным изделием LAN кабель или STP (экранированная витая пара) кабель.
- Не отсоединяйте LAN кабель, если музыкальные файлы и/или информация используется совместно через PRO DJ LINK.

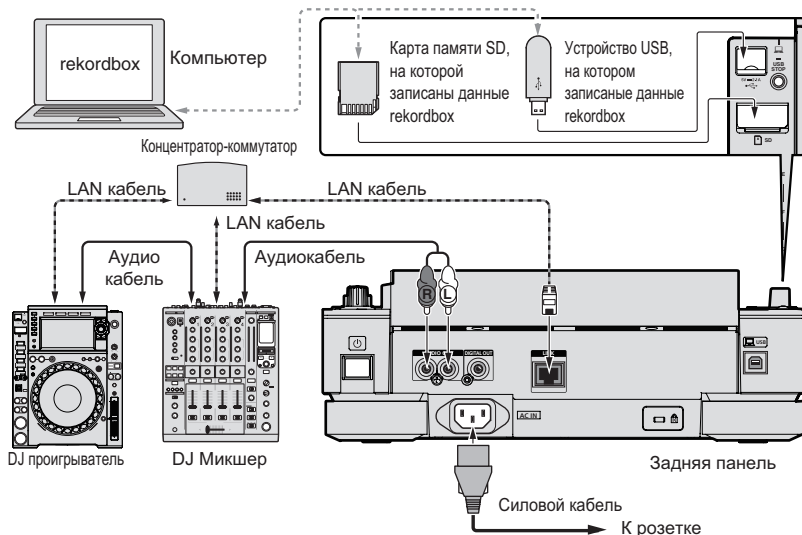
Основной стиль

Воспроизведение на данном аппарате выполняется в основном с использованием дорожек, подготовленных с помощью установленного на компьютере rekordbox.

- Инструкции по работе rekordbox находятся в руководстве по эксплуатации rekordbox (Mac/Windows). Руководство по эксплуатации rekordbox (Mac/Windows) можно открыть в меню [Помощь] rekordbox.
- Также, с помощью подключения PRO DJ LINK, для DJ проигрывателей и DJ микшеров можно подключить до четырех совместимых с PRO DJ LINK проигрывателей, используя LAN кабели (CAT5e).
- В зависимости от используемой комбинации моделей может потребоваться концентратор-коммутатор (продается отдельно). Используйте концентратор-коммутатор на 100 Мбит/с или больше. Некоторые концентратор-коммутаторы могут не срабатывать соответствующим образом.
- Концентратор-коммутатор (продается отдельно) необходим для подключения микшера, оборудованного только одним LAN портом. Если микшеры оборудованы количеством LAN портов, достаточным для всех DJ проигрывателей и компьютеров в системе, подключите напрямую к LAN портам на задней панели микшера без использования концентратора.

PRO DJ LINK (Экспорт SD & USB)

- Можно обмениваться музыкальными файлами и данными rekordbox с данным аппаратом с помощью устройства памяти (устройство флэш-памяти, жесткий диск, др.), исключив необходимость переноса компьютера в кабину DJ. Для воспроизведения можно использовать установленную заранее с помощью rekordbox информацию, как списки воспроизведения, метки, петли и метки быстрого доступа.



Предостережения

Для максимального использования функций управления музыкальными файлами rekordbox сопоставьте номер проигрывателя каналу аудиокабеля, подключенного к микшеру.

Если номер проигрывателя отличается, переключите настройку **[PLAYER No.]** на экране **[UTILITY]**.

☞ Инструкции по изменению настроек на экране **[UTILITY]** смотрите в инструкциях по эксплуатации к данному изделию.

- При подключении устройства хранения к данному аппарату **[PLAYER No.]** отображается серым и не может изменяться. Отсоедините устройство хранения или LAN кабель и отмените подключение, затем переключите настройку.

Управление

Включение питания

1 Выполните все подключения, затем подключите силовую кабель к розетке.

⇒ Подключения (стр.6)

2 Нажмите переключатель [⏻].

Высвечиваются индикаторы данного аппарата и включается питание.

Отключение питания

Нажмите переключатель [⏻].

Питание данного аппарата отключается.

- Не вытягивайте карту памяти SD и не отключайте питание данного аппарата, пока мигает индикатор карты памяти SD. Это может привести к удалению данных управления данным аппаратом и повредить карту памяти SD, сделав ее нечитаемой.
- Не извлекайте устройства USB и не выключайте питание оборудования, пока мигает индикатор USB. Данные менеджмента в оборудовании могут быть удалены. Кроме того, устройства USB может стать не доступным.

Загрузка дисков

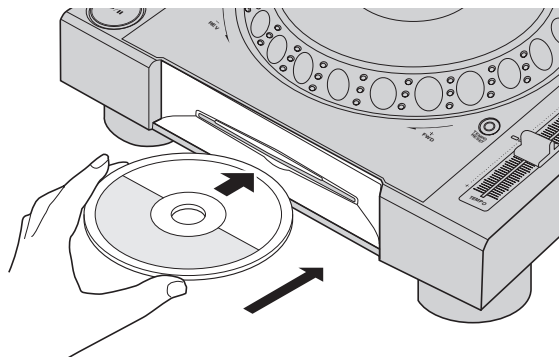
- Данный аппарат является однодисковым проигрывателем. Не загружайте несколько дисков.
- Не загружайте диски в загрузочный слот диска принудительно, когда питание данного аппарата отключено. Это может повредить диск и привести к поломке данного аппарата.
- Когда диск затягивается или извлекается, не применяйте противодействующую силу против направления движения диска. Это может повредить диск или данный аппарат.

1 Нажав переключатель [⏻], включите питание данного аппарата.

2 Загружайте диск в горизонтальном направлении в загрузочный слот диска этикеточной стороной вверх.

Воспроизведение запускается после считывания информации носителя.

- При загрузке диска с музыкальными файлами, записанными в иерархической структуре, воспроизведение запускается с дорожек на самом верхнем уровне.



- Если включена функция автоматической метки, диск устанавливается на паузу в месте запуска звучания. В таком случае нажмите [PLAY/PAUSE▶/||] и запустите воспроизведение.
⇒ Подробнее о функции автоматической метки смотрите инструкции по эксплуатации к данному изделию.

- Если диск загружен при вставленном или подключенном устройстве памяти (SD, USB), которое ранее подключалось к данному аппарату, или при подключенном другом DJ проигрывателе Pioneer, на дисплее основного блока на несколько секунд отображается количество дисков и информация о дисках.
⇒ Подробнее о памяти информации о дисках смотрите инструкции по эксплуатации к данному изделию.

Вставка карт памяти SD

- Не загружайте никаких других предметов в загрузочный слот карты памяти SD, кроме карт памяти SD. Загрузка монет или других металлических предметов может повредить внутреннюю схему, что приведет к поломке аппарата.
- Не применяйте силу при загрузке или извлечении карт памяти SD. Это может повредить карту памяти SD или данный аппарат.

1 Нажав переключатель [⏻], включите питание данного аппарата.

2 Откройте дверцу карты памяти SD.

3 Вставьте карту памяти SD.

Вставляйте карту памяти SD вертикально, задней стороной вперед и насечкой вниз. Вставляйте карту медленно до конца.

4 Закройте дверцу карты памяти SD.

Подключение устройств USB

1 Нажав переключатель [⏻], включите питание данного аппарата.

2 Подключите устройство USB к установочному слоту устройства USB.

Воспроизведение подключенного или вставленного в данный аппарат носителя

1 Загрузите носитель в данный аппарат.

2 Нажмите кнопку соответствующего носителя ([DISC], [SD] или [USB]).

Дорожки или папки отображаются в виде списка.

Можно переключить носитель, чье содержание отображено на дисплее основного блока.

Кнопка [DISC]: Отображает содержание на загруженном диске.

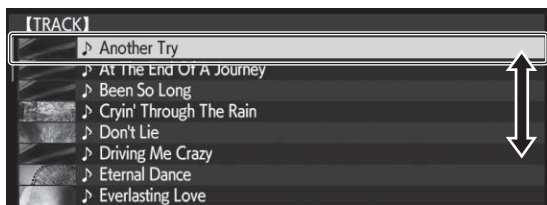
Кнопка [SD]: Отображает содержание на вставленной карте памяти SD.

Кнопка [USB]: Отображает содержание на подключенном USB или мобильном устройстве.

- Если на устройстве хранения (SD, USB) содержится информация библиотеки rekordbox, то отображается библиотека rekordbox.
 - ➔ Инструкции по просмотру библиотеки rekordbox смотрите в инструкциях по эксплуатации к данному изделию.

3 Поверните поворотный селектор.

Переместите курсор и выберите параметр.



- Нажмите поворотный селектор и переместитесь на нижний уровень в папке. Для возврата на верхний уровень нажмите кнопку [BACK].
- При нажатии кнопки [BACK] более 1 секунды или при нажатии кнопки носителя для просматриваемого носителя, дисплей перемещается на самый верхний уровень.

4 Выберите дорожку и нажмите поворотный селектор.

После загрузки дорожки экран переключается на экран обычного воспроизведения.

Дорожка загружается, запускается воспроизведение и мигает кнопка соответствующего носителя.

- ➔ Подробнее об экране обычного воспроизведения смотрите инструкции по эксплуатации к данному изделию.

Подробнее о других операциях смотрите инструкции по эксплуатации к данному изделию.

Дополнительная информация

Возможные неисправности и способы их устранения

- Зачастую неправильное срабатывание ошибочно воспринимается за неполадку или неисправность. Если вы думаете, что с данным компонентом что-то не так, проверьте пункты ниже, а также [FAQ] для [CDJ-2000NXS2] на сайте поддержки Pioneer DJ. <http://pioneerdj.com/support/>
В некоторых случаях неполадка может заключаться на другом компоненте. Проверьте другие компоненты, а также используемые электроприборы. Если проблему невозможно решить, обратитесь в ближайший авторизованный сервисный центр Pioneer или к дилеру для проведения ремонта.
- Данный аппарат может не срабатывать соответствующим образом по причине статического электричества или по другим внешним причинам. В таком случае, обычную работу можно возобновить, отключив питание, обождав 1 минуту и затем снова включив питание.

Неисправность	Проверьте	Способ устранения
Невозможно извлечь диск.	Не установлен-ли [EJECT/LOAD LOCK] на [LOCK]?	Нажмите кнопку [PLAY/PAUSE] и установите режим паузы, затем нажмите кнопку [DISC EJECT]. Установите [EJECT/LOAD LOCK] в [UTILITY] на [UNLOCK], затем нажмите кнопку [DISC EJECT].
—	—	Если не срабатывает кнопка [DISC EJECT], вставьте шпильку в отверстие принудительного извлечения диска и извлеките диск.
Воспроизведение не запускается при загрузке диска.	Может ли диск или файл воспроизводиться? Не включена-ли функция автоматической петли?	Смотрите <i>Используемые носители</i> на стр. 5. Нажимайте [AUTO CUE] более 1 секунды для отмены функции автоматической метки.
Файл не может воспроизводиться.	Файл с защитой авторских прав (по системе DRM)?	Файлы с защитой авторских прав не могут воспроизводиться.
Звучание не выводится, или звучание искажено или содержит шум.	Управляется-ли подключенный DJ микшер соответствующим образом? Не расположен-ли данный аппарат возле телевизора?	Проверьте управление DJ микшера. Отключите питание телевизора или установите данный аппарат и телевизор подальше друг от друга.
При воспроизведении определенного диска выводится шум или воспроизведение приостанавливается.	Не поцарапан-ли диск? Не загрязнен-ли диск?	Поцарапанные диски могут не воспроизводиться. Протрите диск.
Файловая информация не отображается соответствующим образом.	Установлен-ли [LANGUAGE] соответствующим образом? Не записана-ли информация на языке, который не поддерживается на данном аппарате?	Установите [LANGUAGE] на соответствующий язык. При создании файлов с помощью программного обеспечения DJ, др., записывайте информацию на языке, поддерживаемом на данном аппарате.
Слишком много времени занимает операция поиска дорожки.	Не включена-ли функция автоматической петли? —	Поиск дорожки может занимать некоторое время, когда между дорожками содержатся длинные беззвучные разделы. Если поиск дорожки недоступен в течение 10 секунд, точка метки устанавливается на начало дорожки.
Функция возврата к метке не срабатывает.	Установлена-ли точка метки?	Установите точку метки.
Функция воспроизведения петли не срабатывает.	Установлена-ли точка метки?	Установите точку метки.
Настройки не сохраняются в памяти.	Не было-ли отключено питание сразу после изменения настройки?	После изменения настройки подождите как минимум 10 секунд, и затем можно отключать питание.
Устройство USB не распознается.	Подключено-ли устройство USB соответствующим образом? Подключено-ли устройство USB через концентратор USB? Поддерживается-ли устройство USB на данном аппарате? Поддерживается-ли формат файла на данном аппарате? —	Надежно подключите устройство (до конца). Концентраторы USB не могут использоваться. Данный проигрыватель поддерживает запоминающие устройства USB большой емкости. Данный проигрыватель поддерживает мобильные устройства с установленным ПО rekordbox (iOS/Android). Проверьте формат файла подключенного устройства USB. По форматам файлов, поддерживаемым на данном аппарате смотрите <i>Об устройствах USB</i> на стр. 5. Отключите питание, затем снова включите его.

Неисправность	Проверьте	Способ устранения
Точки меток или петлей не сохраняются на устройствах хранения (SD, USB).	Не пытаетесь ли вы сохранить точек больше, чем разрешено?	На устройствах хранения (SD, USB) можно сохранить до 100 точек меток и петлей для одного диска. Для устройств, не являющихся дисками, можно сохранить до 10 точек для одной дорожки. При попытке сохранения более разрешенного количества точек отображается [CUE/LOOPPOINT FULL] и точки не могут быть сохранены. В таком случае, перед сохранением новых точек удалите некоторые старые точки.
	Не защищено ли устройство хранения (SD, USB) от записи?	Если карта памяти SD защищена от записи, отображается [CARD PROTECTED] и точки не могут быть сохранены. Если устройство USB защищено от записи, отображается [USB FULL] и точки не могут быть сохранены. Отмените функцию защиты от записи, затем сохраните точки.
	Имеется ли на устройстве хранения (SD, USB) достаточно свободного пространства?	Если на карте памяти SD недостаточно свободного пространства, отображается [CARD FULL] и точки не могут быть сохранены. Если на устройстве USB недостаточно свободного пространства, отображается [USB FULL] и точки не могут быть сохранены. Высвободите некоторое пространство, затем сохраните точки.
Не отображаются точки меток или петлей дорожек, сохраненных на устройстве хранения (SD, USB).	Было ли устройство USB приостановлено надлежащим образом перед последним отсоединением?	Точки могут не отображаться, если карта памяти SD/устройство USB было извлечено без выполнения соответствующей процедуры остановки или если питание данного аппарата отключено. Убедитесь, что карта памяти SD или индикатор USB полностью отключен, затем отсоедините устройства хранения (SD, USB) или отключите питание данного аппарата.
При нажатии кнопок для вызова режима сохранения метки быстрого доступа или для возврата к петле, или при перемещении рычажка для установки реверсного воспроизведения, операция не запускается сразу же.	Не включена ли функция квантования?	Когда включена функция квантования, операция начинается с места удара, ближайшего к тому месту, когда были нажаты кнопки или перемещен рычажок. Для немедленного запуска операции после нажатия кнопок или перемещения рычажка следует отключить функцию квантования.
Дисплей адреса воспроизведения не отображается в режиме оставшегося времени.	—	При воспроизведении файлов, записанных в режиме VBR, аппарат может не сразу определять длину дорожки, и на отображение дисплея адреса воспроизведения требуется некоторое время.
На считывание с устройств хранения (SD, USB) (устройства флэш-памяти или жесткие диски) уходит много времени.	Не сохранено ли на устройстве хранения (SD, USB) большое количество папок или файлов? Не сохранены ли на устройстве хранения (SD, USB) файлы, не являющиеся музыкальными файлами?	Когда имеется много папок или файлов, на загрузку будет уходить некоторое время. Если в папке содержатся другие виды файлов, кроме музыкальных файлов, на их чтение также уходит время. Не храните файлы или папки на устройстве USB, кроме музыкальных файлов.
Просмотр библиотеки невозможен.	Загружен ли носитель, на котором содержится информация библиотеки?	Режим просмотра библиотеки устанавливается только при загрузке носителя, на котором содержится информация библиотеки. При загрузке носителя, на котором нет информации библиотеки, устанавливается режим просмотра папки.
[HISTORY] не отображается.	Подключено ли устройство хранения (SD, USB)?	Функция [HISTORY] может использоваться только на DJ проигрывателе, к которому подключено устройство хранения (SD, USB).
Ничего не отображается.	Не включена ли функция автоматического режима ожидания?	Данный аппарат отгружается с включенной функцией автоматического режима ожидания. Если нет необходимости в использовании функции автоматического режима ожидания, установите [AUTO STANDBY] на [OFF].
Не отображается шкала.	Не превышает ли продолжительность дорожки 15 минут?	Шкала не отображается для дорожек, время воспроизведения которых превышает 15 минут.
PRO DJ LINK не срабатывает соответствующим образом.	Правильно ли установлены номера проигрывателей? Подключен ли LAN кабель соответствующим образом?	Установите [PLAYER No.] на [AUTO] или на номер, отличный от текущего установленного номера. Подключите LAN кабель к терминалу [LINK] соответствующим образом.
	Включено ли питание концентратора-коммутатора?	Включите питание концентратора-коммутатора.
	Не подключено ли к концентратору-коммутатору ненужное устройство?	Отсоедините ненужное устройство от концентратора-коммутатора.
Реакция на прикосновение к экрану отсутствует или неправильная. Позиция срабатывания отличается от фактического места касания.	Неправильная настройка калибровки сенсорного экрана.	Отрегулируйте сенсорный экран с помощью настроек [TOUCH DISPLAY CALIBRATION] на экране [UTILITY].

Сообщения об ошибках

В случае некорректной работы устройства на экране появится код ошибки. В таблице ниже приведено описание ошибок и возможные варианты их устранения. Если код ошибки не указан в таблице ниже, или если после выполнения указанного действия отображается тот же код ошибки, обратитесь к своему продавцу.

Код ошибки	Тип ошибки	Описание ошибки	Причина и действие
E-7201	CANNOT READ DISC	Невозможно считать данные таблицы содержания.	<ul style="list-style-type: none">Диск взломан. → Замените диск.Диск загрязнен. → Очистите диск.
E-8301	CANNOT READ DISC	Загружен диск, который не может воспроизводиться как обычно.	<ul style="list-style-type: none">Если операция проходит как обычно с другими дисками, причина может быть в самом диске.
E-8302	CANNOT PLAY TRACK(****)	Невозможно считать соответствующим образом данные дорожки (файла) на диске или устройстве хранения (SD, USB).	<ul style="list-style-type: none">Данные дорожки (файл) могут быть повреждены. → Проверьте, может ли дорожка (файл) воспроизводиться на другом проигрывателе, др., который может воспроизводить те же форматы, что и данный аппарат.
E-8304 E-8305	UNSUPPORTED FILE FORMAT	Загружены музыкальные файлы, которые не могут воспроизводиться как обычно.	Неправильный формат. → Замените на музыкальные файлы в соответствующем формате.
E-9101	MECHANICAL TIMEOUT	Механическая ошибка (превышение лимита времени) во время загрузки или извлечения диска.	Отображается, когда механическая операция не завершена в пределах указанного времени.

Очистка сенсорного экрана

Не применяйте органические растворители, кислоты или щелочи для очистки поверхности сенсорного дисплея. Протрите его сухим мягким материалом или тканью, смоченной нейтральным чистящим раствором и хорошо выжатой.

О торговых марках и зарегистрированных торговых марках

- Pioneer DJ является зарегистрированным товарным знаком корпорации PIONEER CORPORATION и используется по лицензии. rekordbox и KUVU являются торговыми марками или зарегистрированными торговыми марками компании Pioneer DJ Corporation.
- Windows является зарегистрированной торговой маркой Microsoft Corporation в Соединенных Штатах Америки и в других странах.
- Adobe и Reader являются зарегистрированными торговыми марками или торговыми марками Adobe Systems Incorporated в США и/или других странах.
- ASIO является торговой маркой Steinberg Media Technologies GmbH.
- Логотип SD является товарным знаком SD-3C, LLC.



- Логотип SDHC является товарным знаком SD-3C, LLC.



- DVD является торговой маркой DVD Format/Logo Licensing Corporation.
- "Made for iPod," "Made for iPhone," и "Made for iPad" означает, что электронный прибор был разработан с целью подключения определенно к iPod, iPhone или iPad соответственно, и имеется сертификация разработчика о соответствии с техническими характеристиками Apple. Apple не несет ответственности за работу данного устройства или его соответствие со стандартами по технике безопасности или регулятивными нормами. Пожалуйста, обратите внимание, что использование данного

прибора с iPod, iPhone или iPad может отрицательно сказываться на качестве беспроводной связи.

Made for



iPod



iPhone



iPad

- Apple, iPad, iPhone, iPod, iPod touch, iTunes, Mac, Mac OS и OS X являются торговыми марками Apple Inc., зарегистрированными в США и других странах.
- iOS является торговой маркой, право на торговую марку которой в США и определенных других странах принадлежит Cisco.
- Android™ является торговой маркой Google Inc.
- Wi-Fi является зарегистрированной торговой маркой Wi-Fi Alliance.
- Указанные здесь названия компаний и изделий являются торговыми марками или зарегистрированными торговыми марками соответствующих владельцев.

- This software is based in part on the work of the Independent JPEG Group.
Установленное на данном аппарате программное обеспечение частично использует программное обеспечение, принадлежащее Independent JPEG Group.

Об использовании файлов MP3

Данное изделие было лицензировано для бесприбыльного использования. Данное изделие не было лицензировано для коммерческих целей (с целью извлечения прибыли) как трансляции (трансляции наземного, спутникового, кабельного или другого типа), потоковой трансляции через Интернет, Интранет (корпоративная сеть) или другие типы сетей или средства распространения электронной информации (услуга по распространению цифровой музыки в сети). Для таких видов использования требуется получить соответствующие лицензии. Подробнее, посетите <http://www.mp3licensing.com>.

Аудиокодек Apple Lossless Audio Codec

Copyright © 2011 Apple Inc. All rights reserved.
Licensed under the Apache License, Version 2.0. You may obtain a copy of the License at <http://www.apache.org/licenses/LICENSE-2.0>

Переводы лицензии программного обеспечения можно найти на указанном ниже сайте. Эти переводы не являются официальными документами.

См. оригинал на английском языке.

Copyright © 2011 Apple Inc. All rights reserved.

Лицензировано Apache License, версия 2.0. Копию лицензии можно приобрести на сайте

<http://www.apache.org/licenses/LICENSE-2.0>

FLAC

FLAC Decoder

Copyright © 2000-2009 Josh Coalson

Copyright © 2011-2014 Xiph.Org Foundation

Redistribution and use in source and binary forms, with or without modification, are permitted provided that the following conditions are met:

- Redistributions of source code must retain the above copyright notice, this list of conditions and the following disclaimer.
- Redistributions in binary form must reproduce the above copyright notice, this list of conditions and the following disclaimer in the documentation and/or other materials provided with the distribution.
- Neither the name of the Xiph.org Foundation nor the names of its contributors may be used to endorse or promote products derived from this software without specific prior written permission.

THIS SOFTWARE IS PROVIDED BY THE COPYRIGHT HOLDERS AND CONTRIBUTORS "AS IS" AND ANY EXPRESS OR IMPLIED WARRANTIES, INCLUDING, BUT NOT LIMITED TO, THE IMPLIED WARRANTIES OF MERCHANTABILITY AND FITNESS FOR A PARTICULAR PURPOSE ARE DISCLAIMED. IN NO EVENT SHALL THE FOUNDATION OR CONTRIBUTORS BE LIABLE FOR ANY DIRECT, INDIRECT, INCIDENTAL, SPECIAL, EXEMPLARY, OR CONSEQUENTIAL DAMAGES (INCLUDING, BUT NOT LIMITED TO, PROCUREMENT OF SUBSTITUTE GOODS OR SERVICES; LOSS OF USE, DATA, OR PROFITS; OR BUSINESS INTERRUPTION) HOWEVER CAUSED AND ON ANY THEORY OF LIABILITY, WHETHER IN CONTRACT, STRICT LIABILITY, OR TORT (INCLUDING NEGLIGENCE OR OTHERWISE) ARISING IN ANY WAY OUT OF THE USE OF THIS SOFTWARE, EVEN IF ADVISED OF THE POSSIBILITY OF SUCH DAMAGE.

Предупреждения по авторским правам

rekordbox ограничивает воспроизведение и копирование музыкального материала, защищенного от копирования.

- Если в музыкальном материале содержатся закодированные данные, др., для защиты авторских прав, может быть невозможно управлять программой как обычно.
- Когда rekordbox обнаруживает такие закодированные в музыкальном материале данные, др., для защиты авторских прав, обработка (воспроизведение, чтение, др.) может приостановиться.

Выполненные вами записи предназначены для вашего личного удовольствия и по законам о защите авторских прав не могут использоваться без согласия владельца авторских прав.

- Музыка, записанная на CD дисках, др., защищается законами о защите авторских правах отдельных стран и международными соглашениями. Ответственность за легальное использование записанной музыки полностью лежит на человеке, выполнившим запись.
- При обращении с музыкой, загруженной с Интернета, др., загрузивший музыку человек несет полную ответственность за использование музыки в соответствии с контрактом, заключенным с сайтом загрузки.

Технические характеристики

Требования к питанию

.....	110 В до 240 В переменного тока, 50 Гц/60 Гц
Потребляемая мощность.....	41 Вт
Потребляемая мощность (в режиме ожидания)	0,4 Вт
Вес основного аппарата	5,7 кг
Макс. габариты	320 мм (Ш) × 113,2 мм (В) × 414,4 мм (Г)
Допускаемая рабочая температура	от +5 °C до +35 °C
Допускаемая рабочая влажность.....	от 5 % до 85 % (без конденсации)

Аналоговый аудиовыход (AUDIO OUT L/R)

Выходной терминал.....	Терминал RCA
Выходной уровень	2,0 Vrms (1 кГц)
Частотная характеристика.....	от 4 Гц до 40 кГц
Соотношение сигнал/шум.....	115 дБ
Суммарный коэффициент гармоник	0,0018 %

Цифровой аудиовыход (DIGITAL OUT)

Выходной терминал.....	Терминал RCA
Тип выхода	Коаксиальный цифровой (S/PDIF)
Выходной уровень	0,5 Вp-p (75 Ω)
Формат вывода.....	44,1 кГц/96 кГц, 24 бит/16 бит

Раздел нисходящего потока USB (USB)

Порт	Тип A
Электропитание	5 В/2,1 А или меньше

Раздел восходящего потока USB (USB)

Порт	Тип B
------------	-------

LAN (PRO DJ LINK)

Допустимое значение	100Base-TX
---------------------------	------------

Раздел карты памяти SD

Файловая система.....	Соответствует "Спецификациям SD часть 2 спецификации файловой системы версии 2.00"
Макс. объем памяти	32 ГБ

Основной дисплей

Тип дисплея.....	Жидкокристаллический дисплей (ЖК дисплей) с активной матрицей на тонкопленочных транзисторах
Поддерживаемые языки	18 языков
— Технические характеристики и конструкция данного изделия могут изменяться без уведомления.	

- © Pioneer DJ Corporation 2015. Все права защищены.

Примечание:

Корпорация Пайонир Диджей устанавливает следующую продолжительность срока службы официально поставляемых на Российский рынок товаров.

Аудио и видеоборудование: 7 лет
 Переносное аудиооборудование: 6 лет
 Другое оборудование (наушники, микрофон и т.д.): 5 лет

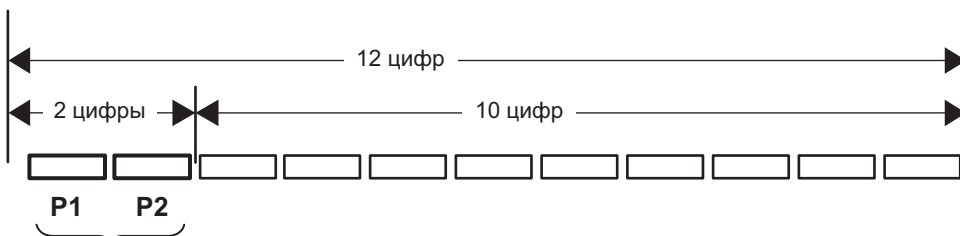
D3-7-10-6b_B1_Ru

Информация для покупателей в ЕАЭС:

Уполномоченной организацией в соответствии с требованиями ТР ТС 004/2011, 020/2011, 017/2011 является ООО "ПИОНЕР РУС", Россия, 105064, г. Москва, Нижний Сусальный переулок, дом 5, строение 19, т. (495) 9568901

D3-7-10-8b_A1_Ru

Дату изготовления оборудования можно определить по серийному номеру, который содержит информацию о месяце и годе производства.

Серийный номер

Дата изготовления оборудования

P1 - Год изготовления

Год	2001	2002	2003	2004	2005	2006	2007	2008	2009	2010
Символ	A	B	C	D	E	F	G	H	I	J

Год	2011	2012	2013	2014	2015	2016	2017	2018	2019	2020
Символ	K	L	M	N	O	P	Q	R	S	T

P2 - Месяц изготовления

Месяц	1	2	3	4	5	6	7	8	9	10	11	12
Символ	A	B	C	D	E	F	G	H	I	J	K	L

D3-7-10-7_A1_Ru

© 2015 Pioneer DJ Corporation.
All rights reserved.

© 2015 Pioneer DJ Corporation.
Tous droits de reproduction et de traduction réservés.

Pioneer DJ Corporation

1-1, Shin-ogura, Saiwai-ku, Kawasaki-shi, Kanagawa 212-0031, Japan

Корпорация Пайонир Диджей

1-1, Син-Огура, Сайвай-ку, г. Кавасаки, префектура Канагава, 212-0031, Япония

Pioneer DJ Europe Limited

Anteros Building, Odyssey Business Park, West End Road, South Ruislip, Middlesex, HA4 6QQ, U.K. TEL: 44-203-7617-220

Printed in / Imprimé

Сделано в Малайзии

<DRH1322-B>

